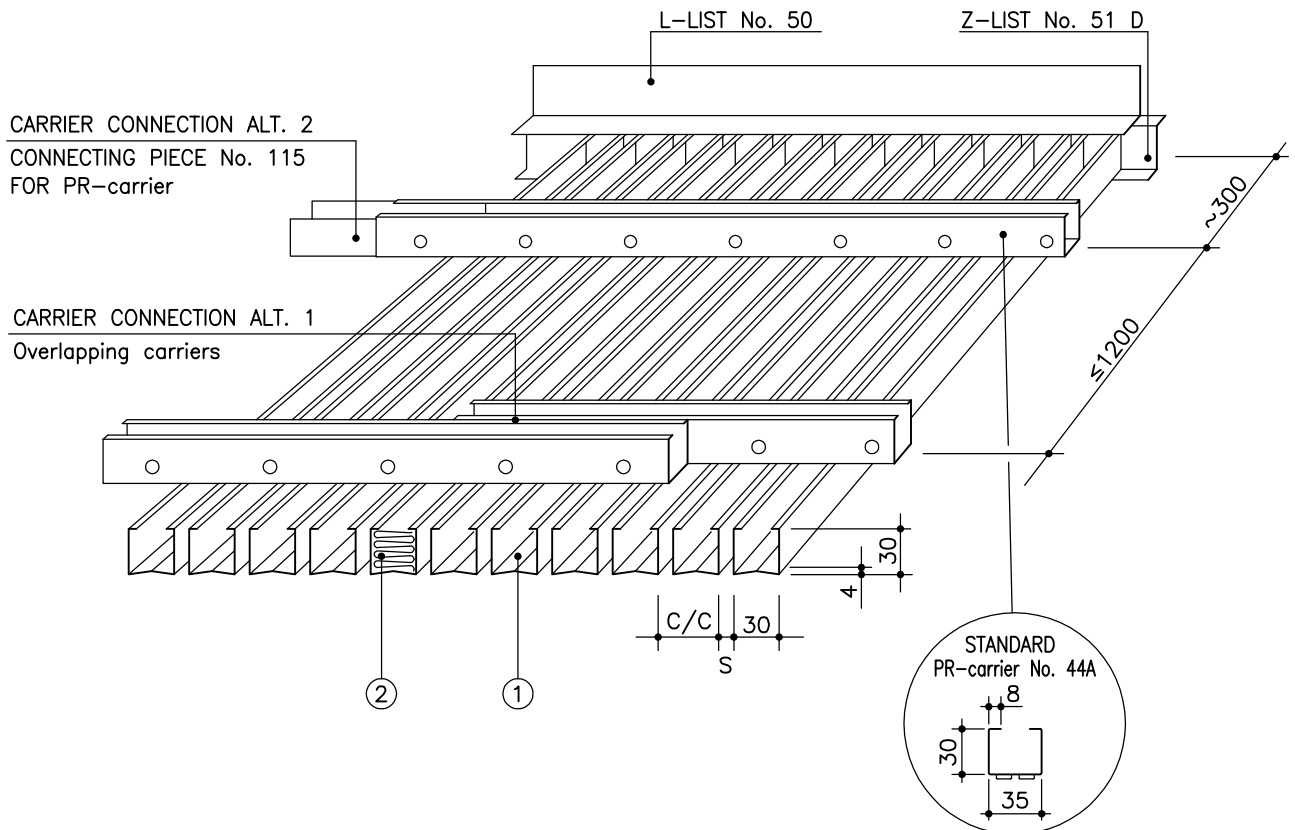


## MARINE PROFILE LAUTEX PR-W



- ① = PR-W; unperforated without acoustic inlay
- ② = PR-WT; unperforated with mineral wool in plastic

Installation with 10 mm air space

### PR-W PROFILES / CLASSIFICATION "C"

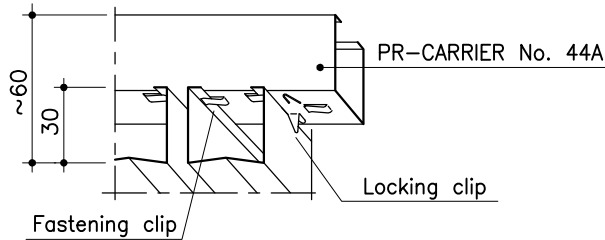
Material	0.4 Al
Width	30 mm
Height	30 mm
Length	max 5000 mm
Air spaces	recommended air space = 10 mm also according to order, but $\geq 10$ mm
Perforation	none
Inlay	mineral wool in plastic
Finish	stove enamelled (or anodized) according to LTX-colour card or any other well-known colour charts
Protective film	the surface is provided with a protective film if required
Loudspeaker profile	see page 2
Downlight unit	see page 2
Curved ceilings	see "Curved ceilings and diagonal installation"
Suspension	see "Suspension systems for profiles"
Edge lists	see "Lists-01" and "Lists-02"
Other special solutions	please contact our technical information department

Latest information: [www.lautex.com](http://www.lautex.com)

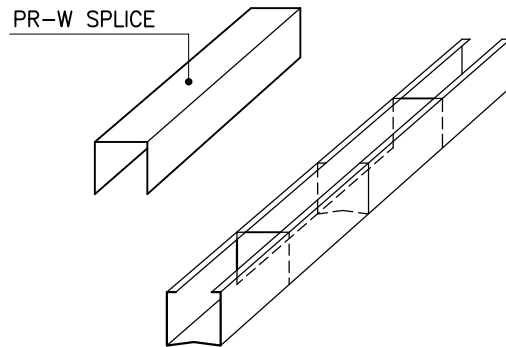
All products are subject to modifications without prior notice 2011

## MARINE PROFILE LAUTEX PR-W INSTALLATION DETAILS AND ACCESSORIES

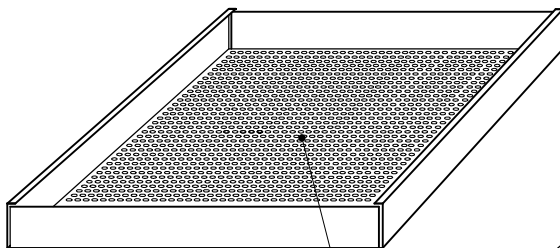
### INSTALLATION WITH AIR SPACE 10 MM



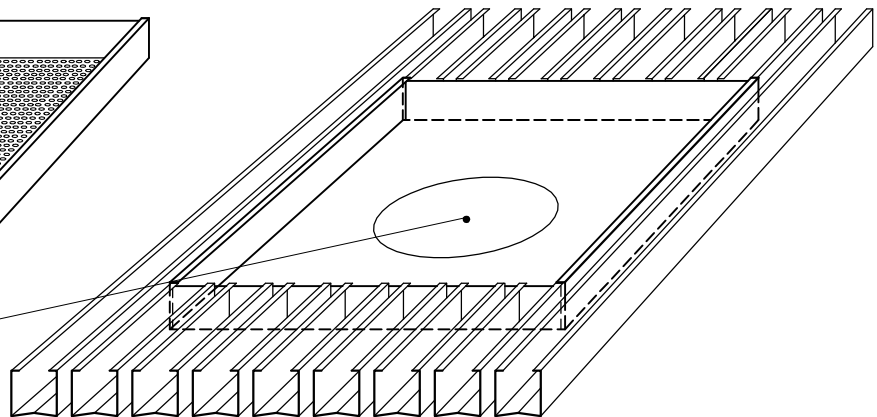
### SOLUTION OF PROFILE CONNECTION



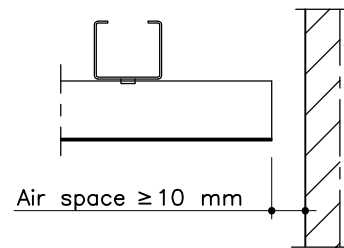
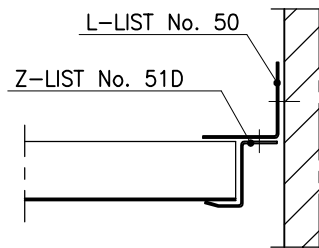
### DOWNLIGHT OR LOUDSPEAKER PROFILE



Ø According to order or  
perforated on the whole  
bottom  $\phi 3.5/25\%$



### SOLUTIONS OF PROFILE CONNECTION TO WALL



### THEORETICAL NEED OF SUSPENSION STRUCTURES

Product	Need of material
Carrier No. 44A	1.2 - 1.6 m/m <sup>2</sup>
Carrier lock	1 pcs / carrier meter
L-list No. 50	0.8 - 1.4 m/m <sup>2</sup>
Z-list No. 51D	0.8 - 1.4 m/m <sup>2</sup>

### WEIGHT OF PROFILES KG / M<sup>2</sup>

PR-W	
Material	0.4 Al
Weight	2.70

### WEIGHT OF OTHER CEILING MATERIALS

Product	Weight of material
Mineral wool in plastic	0.52 kg/m <sup>2</sup>
Carrier No. 44A	0.83 kg/m
Carrier lock	0.08 kg/pcs
L-list No. 50 (1.0 Al)	0.21 kg/m
Z-list No. 51D (1.0 Al)	0.18 kg/pcs

Latest information: [www.lautex.com](http://www.lautex.com)

All products are subject to modifications without prior notice 2011