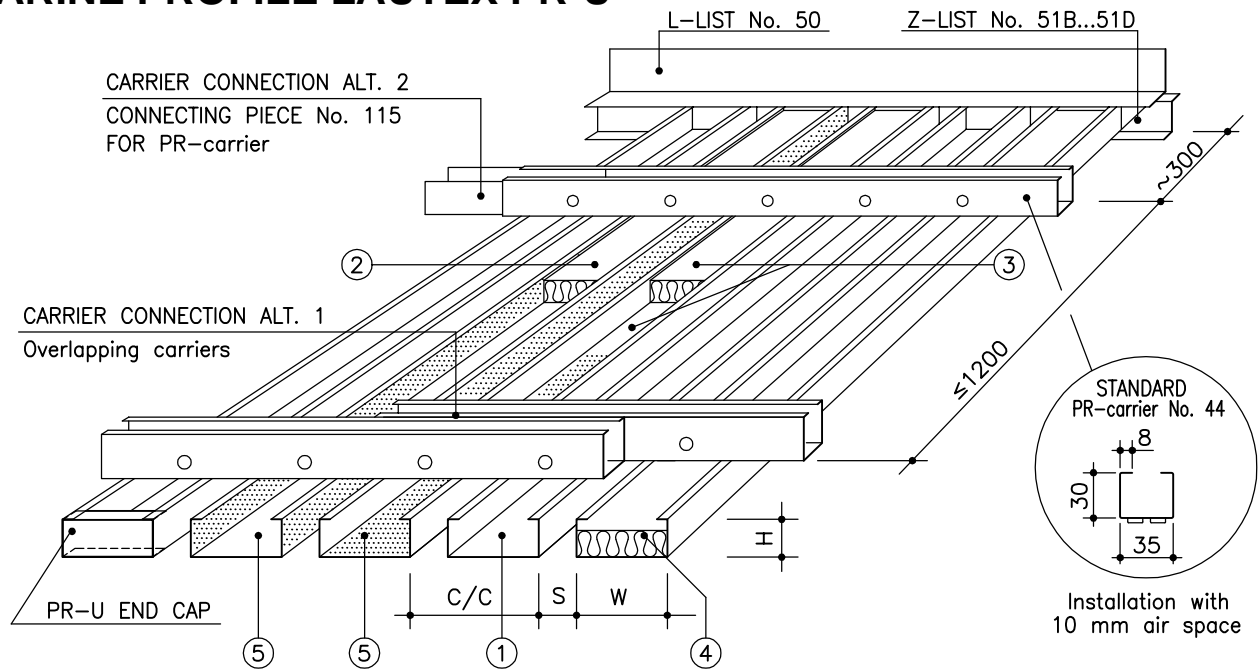


MARINE PROFILE LAUTEX PR-U



- ① = PR-U; unperforated without acoustic inlay ④ = PR-UT; unperforated with mineral wool in plastic
 ② = PR-URT; perforated on the sides, with mineral wool in plastic ⑤ = PR-UR; perforated on the sides and/or on the bottom without acoustic inlay
 ③ = PR-URT; perforated on the bottom, with acoustic felt or mineral wool in plastic

THE HOLE SIZE AND THE PERFORATION AREA MUST BE SPECIFIED

PR-U PROFILES / CLASSIFICATION "C"

Profile	height mm	width mm	length max. mm	material	carrier No. air space 10mm	weight/Al kg/m ²	weight/Fe kg/m ²
30x50x30	30	50	6500	0.4Al 0.5 steel	44C	2.13	8.00
25x60x25	25	60	6500	0.4Al 0.5 steel	44D	1.83	6.86
20x70x20	20	70	6500	0.4Al 0.5 steel	44E	1.60	6.00
25x80x25	25	80	6500	0.5Al 0.5 steel	44F	2.10	6.22
20x100x20	20	100	6500	0.5Al 0.5 steel	44H	1.84	5.45
27.5x135x27.5	27.5	135	6500	0.7Al	44J	2.61	
25x140x25	25	140	6500	0.7Al	44K	2.52	
25x180x25	25	180	6500	0.7Al	44L	2.39	
25x190x25	25	190	6500	0.7Al	44M	2.36	
25x280x25	25	280	4000	0.7Al	44N	2.20	
25x290x25	25	290	4000	0.7Al	44P	2.19	

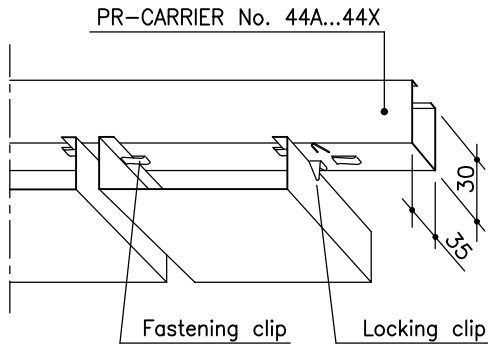
Air spaces	recommended air space = 10 mm also according to order, but ≥ 10 mm
Perforation	profile width ≤ 100 mm; $\varnothing 1.1$ mm, > 100 mm $\varnothing 2.0$ mm other alternatives see page 6/12
Inlay	acoustic felt or mineral wool in plastic
Finish	stove enamelled (or anodized) according to LTX-colour card or any other well-known colour charts
Protective film	the surface is provided with a protective film if required
End bendings	not standard
Service hatch	see page 2
Loudspeaker profile	see page 2
Downlight unit	see page 2
Curved ceilings	see "Curved ceiling and diagonal installation"
Suspension	see "Suspension systems for profiles"
Edge lists	see "Lists-01" and "Lists-02"
Diagonal installation	PR-carrier No. 39C...39X for diagonal installation in 45°, air space according to order but ≥ 10 mm, see "Curved ceiling and diagonal installation"
Other special solutions	please contact our technical information department

Latest information: www.lautex.com

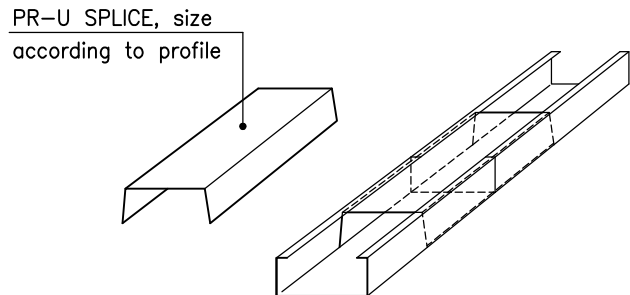
All products are subject to modifications without prior notice 2011

MARINE PROFILE LAUTEX PR-U INSTALLATION DETAILS AND ACCESSORIES

INSTALLATION WITH AIR SPACE 10 MM

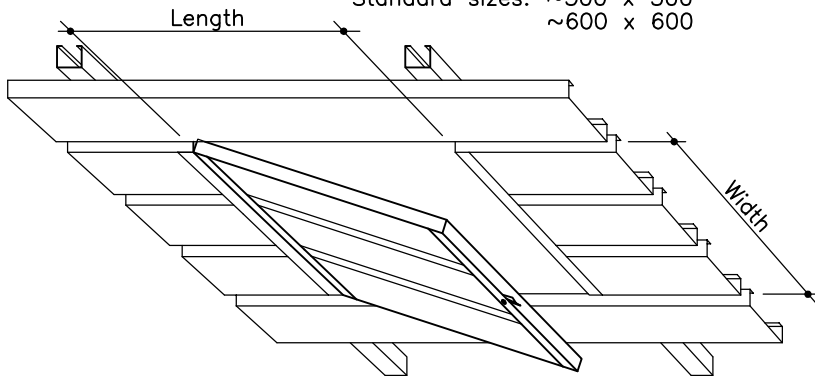


SOLUTION OF PROFILE CONNECTION

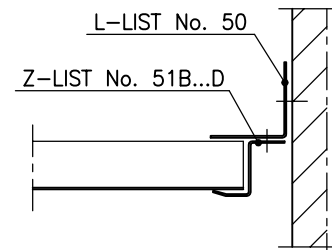


SERVICE HATCH

Length and width =
Opening in the ceiling
Standard sizes: ~300 x 300
~600 x 600

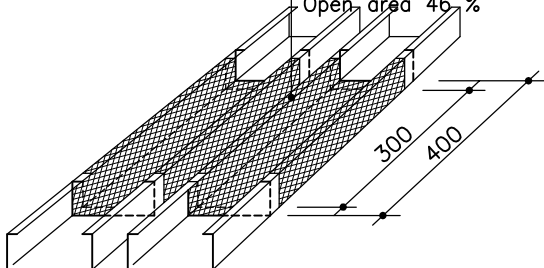


CONNECTION TO WALL



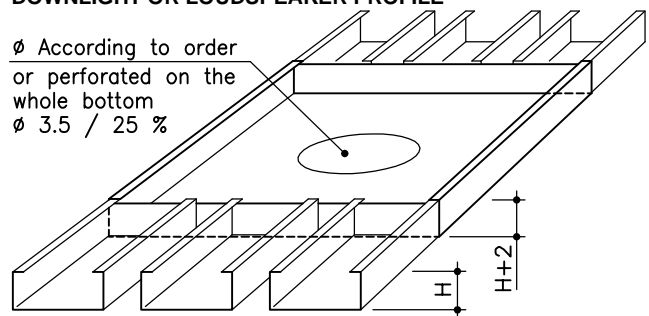
LOUDSPEAKER PROFILE

EXPAMET NET PROFILE
for PR-U
Open area 46 %



DOWNLIGHT OR LOUDSPEAKER PROFILE

∅ According to order
or perforated on the
whole bottom
∅ 3.5 / 25 %



THEORETICAL NEED OF SUSPENSION STRUCTURES

Product	Need of material
Carrier No. 44 or 39	1.2 – 1.6 m/m ²
Carrier lock	1 pcs / carrier meter
L-list No. 50	0.8 – 1.4 m/m ²
Z-list No. 51B...D	0.8 – 1.4 m/m ²

WEIGHT OF CEILING MATERIALS

PR-U	Weight of material
Material	Weight of material
Mineral wool in plastic	0.52 kg/m ²
Carrier No. 44 or 39	0.83 kg/m
Carrier lock	0.08 kg/pcs
L-list No. 50 (1.0 Al)	0.83 kg/m
Z-list No. 51B (1.0 Al)	0.15 kg/pcs
Z-list No. 51C (1.0 Al)	0.16 kg/m
Z-list No. 51D (1.0 Al)	0.17 kg/pcs

Latest information: www.lautex.com

All products are subject to modifications without prior notice 2011