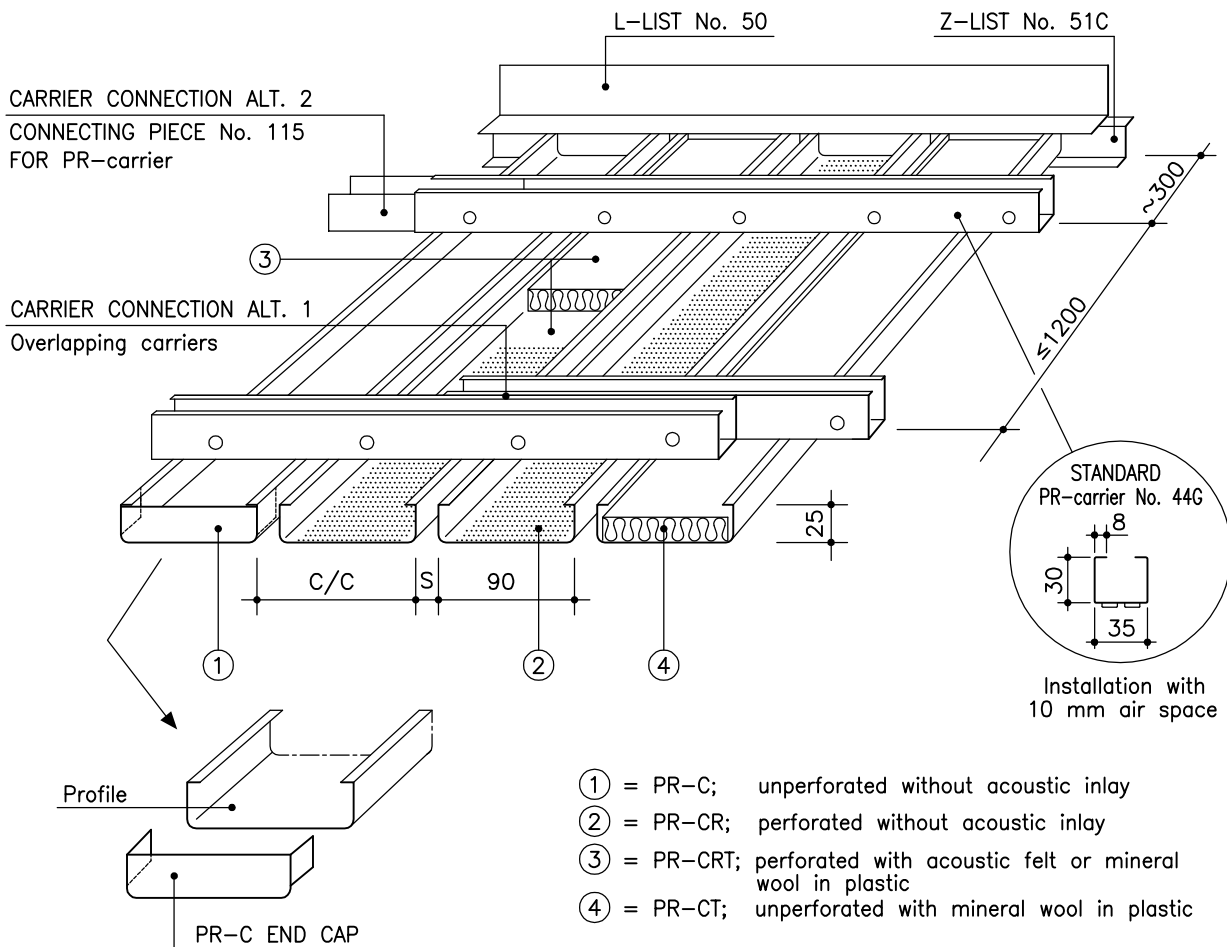


## MARINE PROFILE LAUTEX PR-C



### PR-C PROFILES / CLASSIFICATION "C"

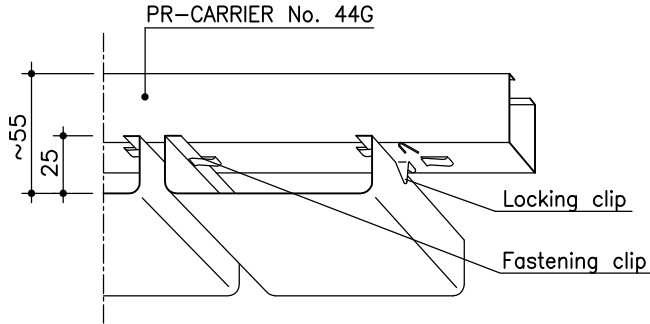
Material	0.5 Al 0.7 Al 0.5 Steel
Width	90 mm
Height	25 mm
Length	max 6500 mm
Air spaces	recommended air space = 10 mm also according to order, but $\geq 10$ mm
Perforation	$\varnothing$ 2.0 mm, other alternatives see "Perforations"
Inlay	acoustic felt or mineral wool in plastic
Finish	stove enamelled (or anodized) according to LTX-colour card or any other well-known colour charts
Protective film	the surface is provided with a protective film if required
Service hatch	see page 2
Loudspeaker profile	see page 2
Downlight unit	see page 2
Suspension	see "Suspension systems for profiles"
Edge lists	see "Lists-01" and "Lists-02"
Diagonal installation	PR-carrier No. 39G for diagonal installation in 45°, air space according to order but $\geq 10$ mm. See "Curved ceilings and diagonal installation"
Other special solutions	please contact our technical information department

Latest information: [www.lautex.com](http://www.lautex.com)

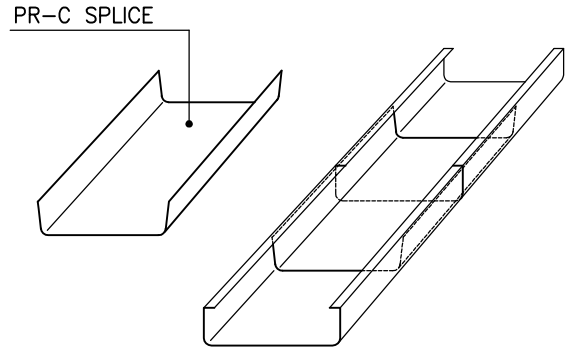
All products are subject to modifications without prior notice 2011

## MARINE PROFILE LAUTEX PR-C INSTALLATION DETAILS AND ACCESSORIES

### INSTALLATION WITH AIR SPACE 10 MM

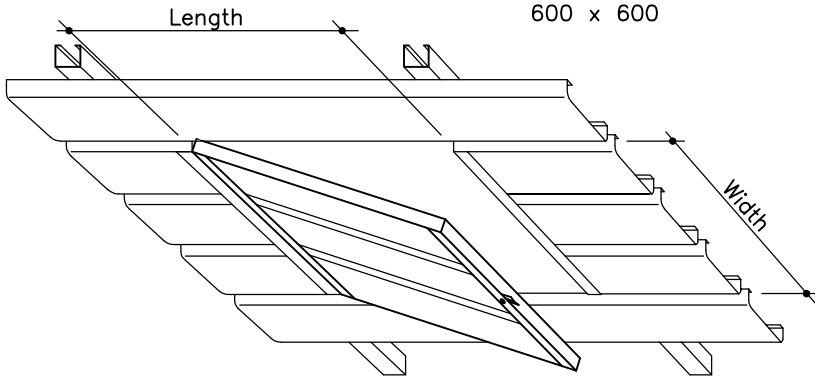


### SOLUTION OF PROFILE CONNECTION

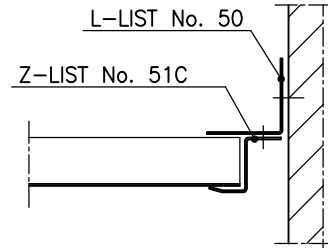


### SERVICE HATCH

Length and width =  
Opening in the ceiling  
Standard sizes: 300 x 300  
600 x 600

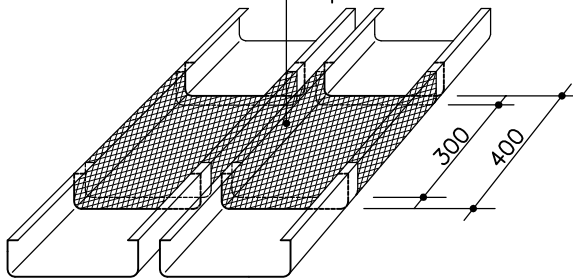


### CONNECTION TO WALL



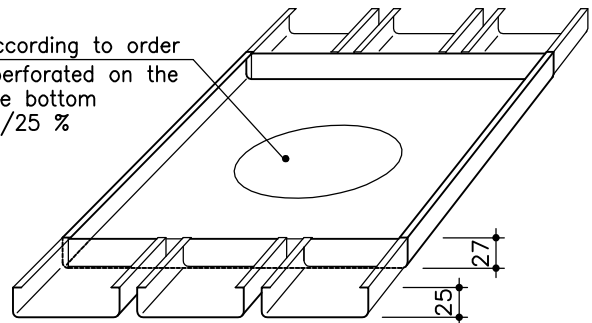
### LOUDSPEAKER PROFILE

EXPAMET NET PROFILE  
for PR-C  
Open area 46 %



### DOWNLIGHT OR LOUDSPEAKER PROFILE

∅ According to order  
or perforated on the  
whole bottom  
∅3.5/25 %



### THEORETICAL NEED OF SUSPENSION STRUCTURES

Product	Need of material
Carrier No. 44G	1.2 – 1.6 m/m <sup>2</sup>
Carrier lock	1 pcs / carrier meter
L-list No. 50	0.8 – 1.4 m/m <sup>2</sup>
Z-list No. 51C	0.8 – 1.4 m/m <sup>2</sup>

### WEIGHT OF PROFILES KG / M<sup>2</sup>

	PR-C		
Material	0.5 Al	0.7 Al	0.5 Steel
Weight	1.89	2.65	5.60

### WEIGHT OF OTHER CEILING MATERIALS

Product	Weight of material
Mineral wool in plastic	0.52 kg/m <sup>2</sup>
Carrier No. 44G	0.83 kg/m
Carrier lock	0.08 kg/pcs
L-list No. 50 (1.0 Al)	0.21 kg/m
Z-list No. 51C (1.0 Al)	0.16 kg/m

Latest information: [www.lautex.com](http://www.lautex.com)

All products are subject to modifications without prior notice 2011