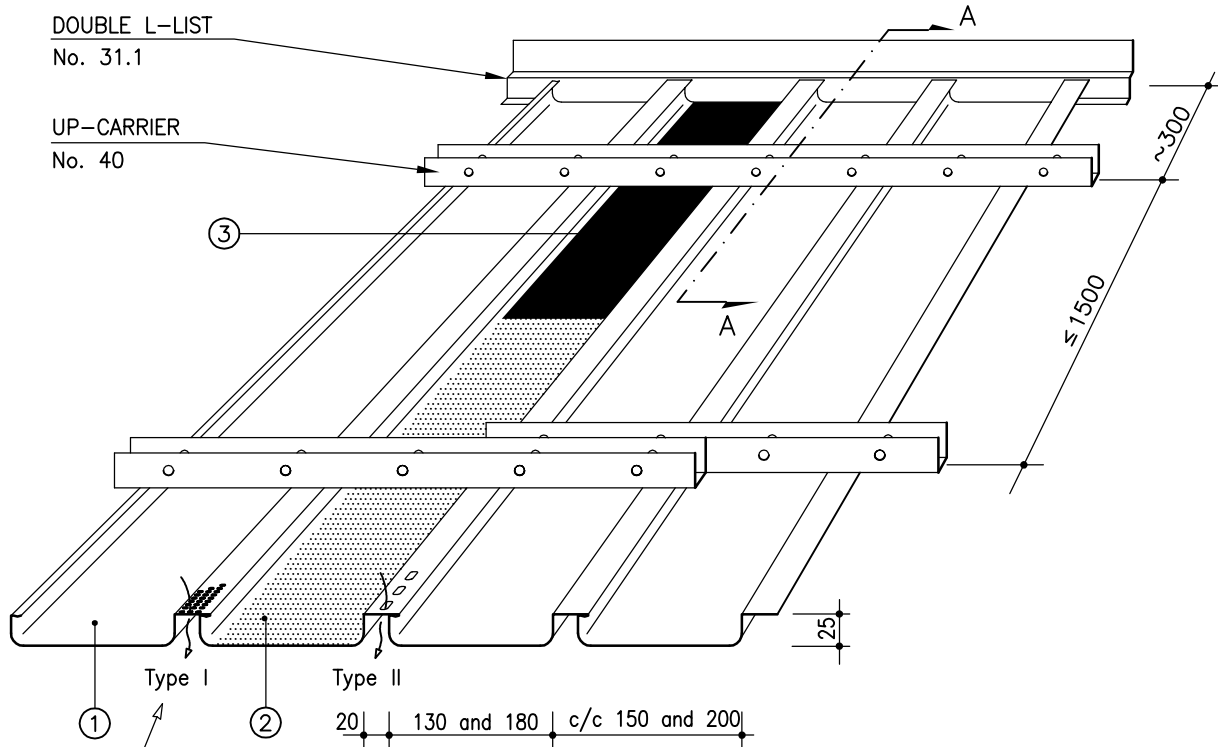


PANEL LAUTEX UPC-150 AND -200



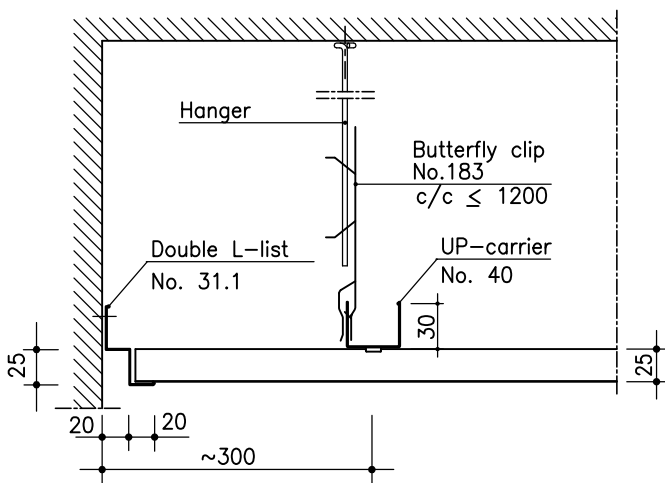
Ventilation perforation (according to order)

Type I, $\varnothing 3.5$ mm, c/c 6.25mm = $4616\text{mm}^2/\text{m}$

Type II, 5x7 mm, c/c 13 mm = $2279\text{mm}^2/\text{m}$

- ① = UPC; unperforated, without acoustic inlay
- ② = UPCR; perforated
- ③ = UPCRT; perforated with acoustic inlay

A - A



STRUCTURAL DETAILS SEE LEAFLET 6.1

UPC-PANEL

Material	0.7 mm Al
Width	150 and 200 mm
Height	25 mm
Length	1250-6500 mm
Perforation	$\varnothing 2.0$ mm
Inlay	acoustic inlay
Finish	stove enamelled

OTHER ALTERNATIVES

Material	0.5 mm Steel
Length	<1250 mm
Perforation	$\varnothing 3.5$ mm (see leaflet 6.2)
Inlay	mineral wool in plastic
Finish	high gloss anodized (Al)
Other special solutions	Please contact our technical information department.

All products are subject to modifications without prior notice.

2011