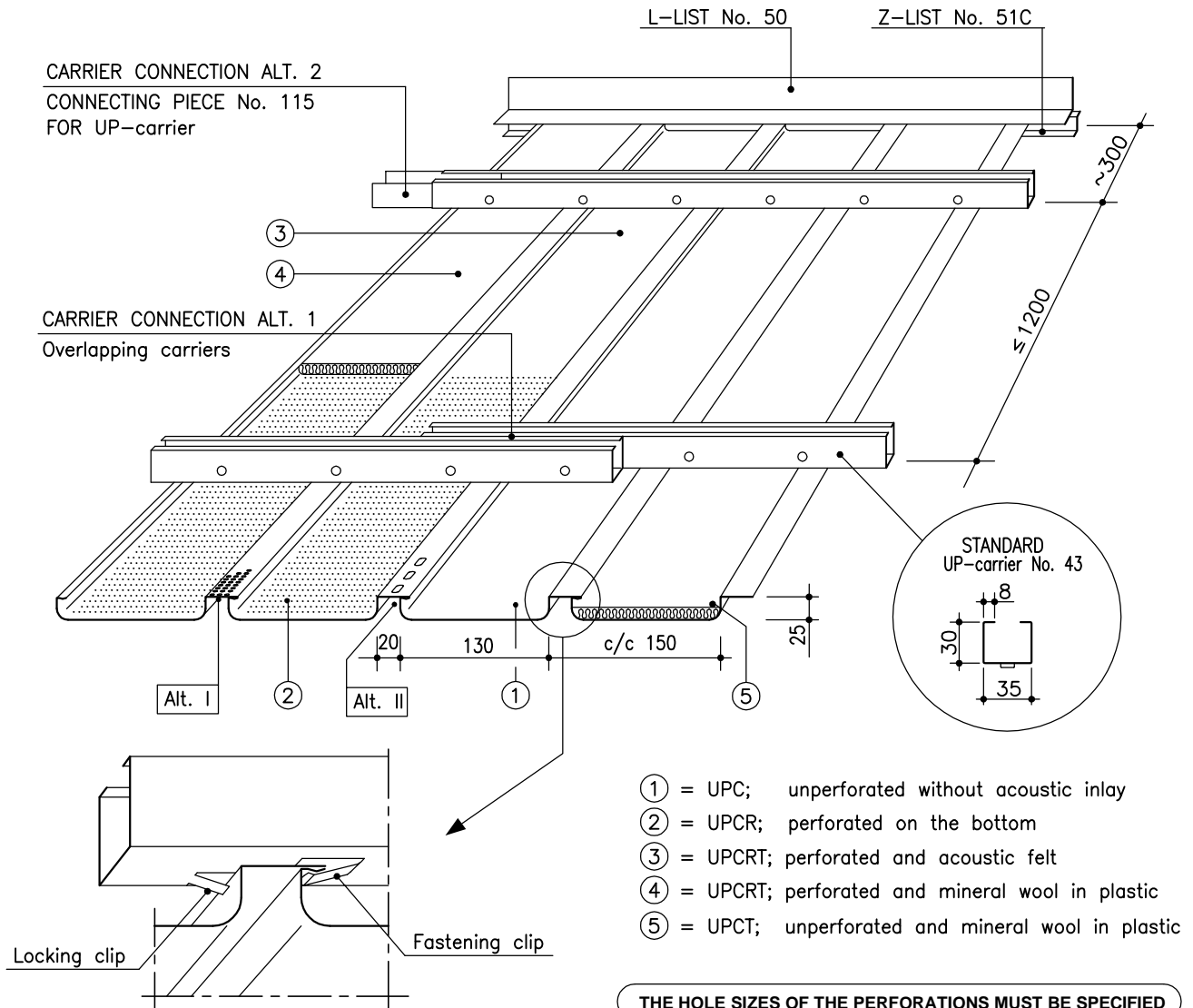


MARINE PANEL LAUTEX UPC-150



UPC-150 PANELS / CLASSIFICATION "C"

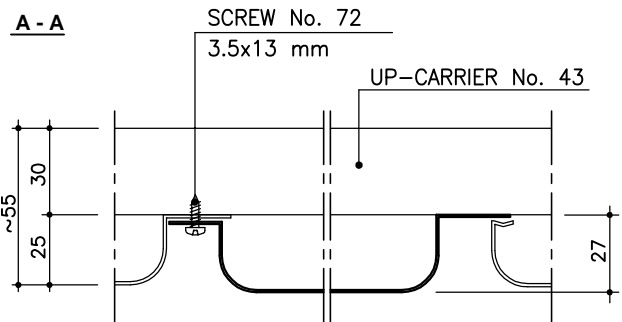
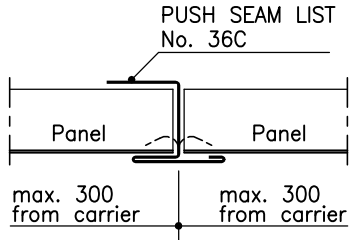
Material	0.7 Al
Width	150 mm
Height	25 mm
Length	max 6500 mm
Perforation	∅ 2.0 or 3.5 mm, other alternatives see "Perforations"
Inlay	mineral wool in plastic or acoustic felt
Finish	stove enamelled (or anodized) according to LTX-colour card or any other well-known colour charts
Ventilation	alt I ∅ 3.5 mm, c/c 6.25 mm = 46 cm ² /m alt II ∅ 5x7 mm, c/c 13 mm = 23 cm ² /m
Protective film	the surface is provided with a protective film if required
End bendings	no end bendings
Service hatch	see page 2
Loudspeaker panel	see page 2
Downlight unit	see page 2
Suspension	see "Suspension systems for panels"
Edge lists	see "Lists for panels"
Other special solutions	please contact our technical information department

Latest information: www.lautex.com

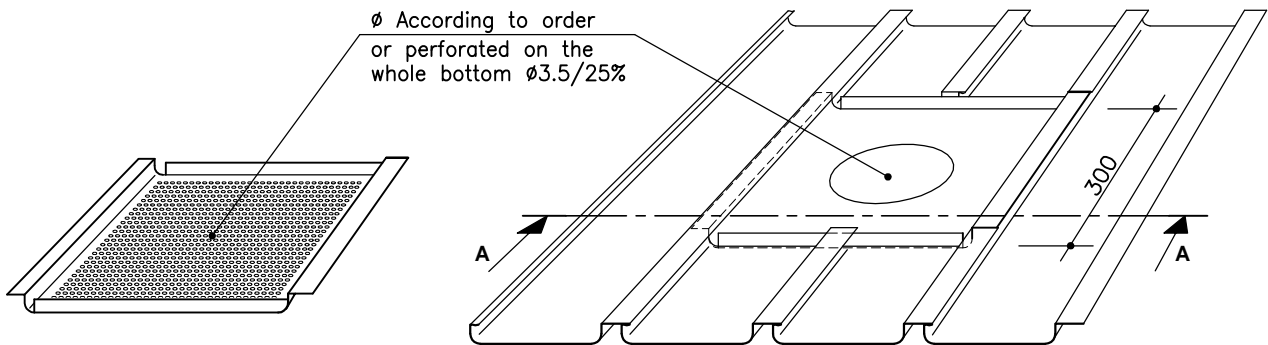
All products are subject to modifications without prior notice 2011

MARINE PANEL LAUTEX UPC-150 INSTALLATION DETAILS AND ACCESSORIES

SOLUTION OF PANEL CONNECTION

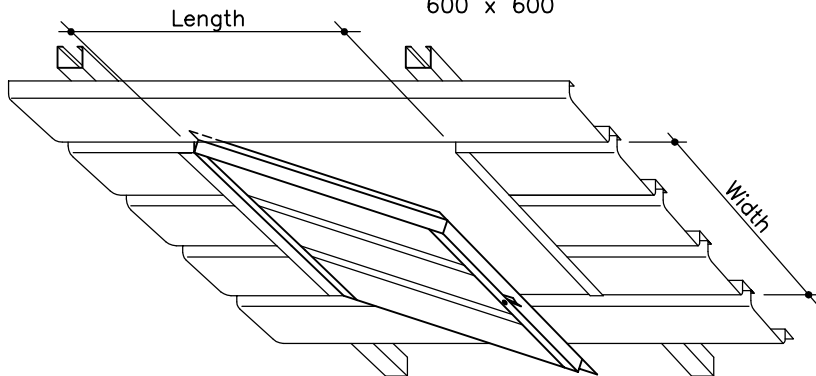


LOUDSPEAKER OR DOWNLIGHT PANEL

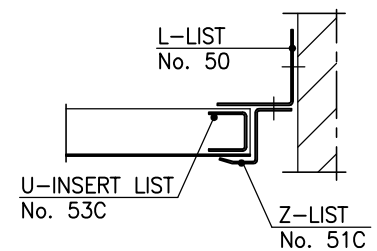


SERVICE HATCH

Length and width =
Opening in the ceiling
Standard sizes: 300 x 300
600 x 600



CONNECTION TO WALL



THEORETICAL NEED OF SUSPENSION STRUCTURES

Product	Need of material
Carrier No. 43	1.2 - 1.6 m/m ²
Carrier lock	1 pcs / carrier meter
L-list No. 50	0.8 - 1.4 m/m ²
Z-list No. 51C	0.8 - 1.4 m/m ²
U-insert list No. 53 C	0.8 - 1.4 m/m ²

WEIGHT OF PANELS KG / M²

	UPC-150
Material	0.7 Al
Weight	2.58

WEIGHT OF OTHER CEILING MATERIALS

Product	Weight of material
Mineral wool in plastic	0.52 kg/m ²
Carrier No. 43	0.83 kg/m
Carrier lock	0.08 kg/pcs
L-list No. 50 (1.0 Al)	0.21 kg/m
Z-list No. 51C (1.0 Al)	0.16 kg/m
U-insert list No. 53C (0.7 Al)	0.12 kg/m

Latest information: www.lautex.com

All products are subject to modifications without prior notice 2011