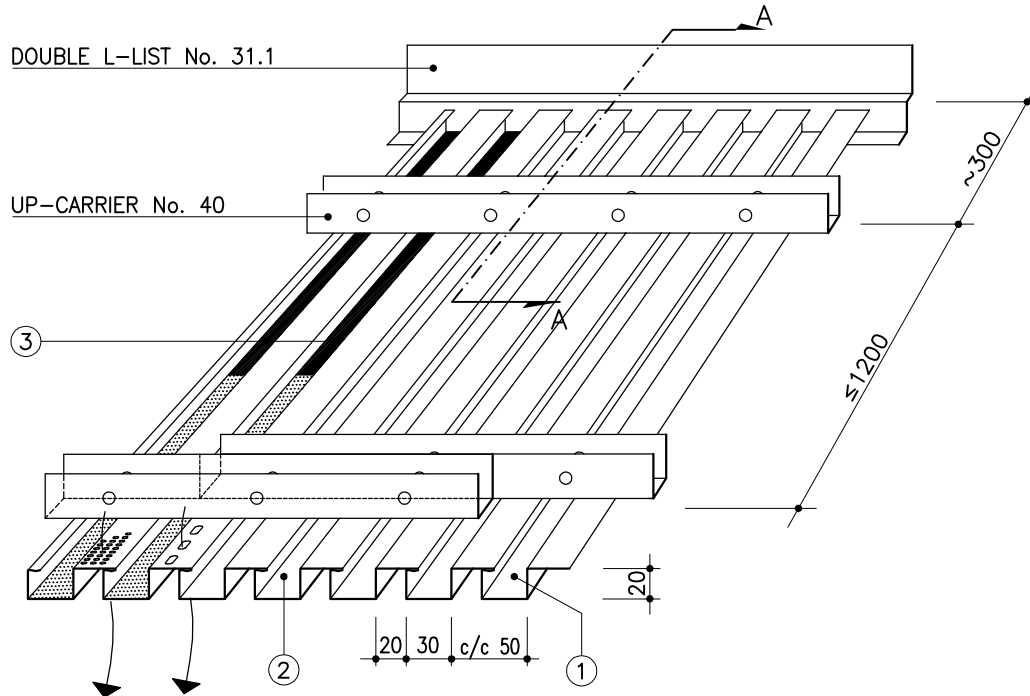


PANEL LAUTEX UP-50



VENTILATION HOLES ACCORDING TO ORDER
 $\varnothing 3.5 \text{ mm c/c } 6.3 \text{ mm} = 4616 \text{ mm}^2/\text{rm}$
 $5 \times 7 \text{ mm c/c } 13.0 \text{ mm} = 2279 \text{ mm}^2/\text{rm}$

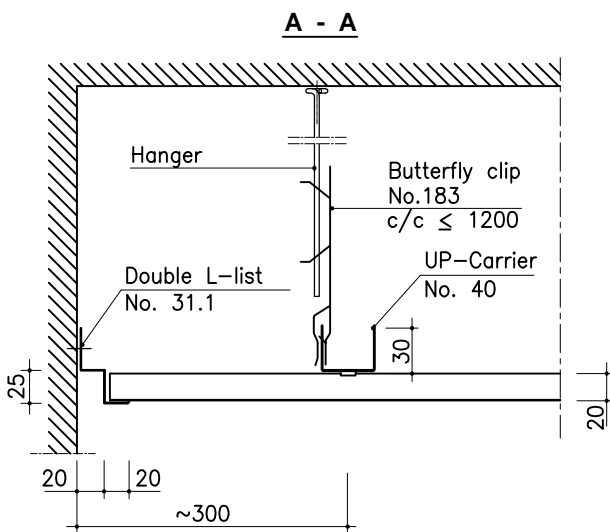
- ① = UP; unperforated and without inlay
- ② = UPR; bottom perforated
- ③ = UPRT; perforation on the bottom and acoustical inlay

UP-50 PANELS

Material	0.4 Al
Width	50 mm
Height	20 mm
Length	1250-6500 mm
Perforation	$\varnothing 1.1 \text{ mm}$
Inlay	acoustical felt when colour LTX-101 white
Finish	stove enamelled

OTHER ALTERNATIVES

Material	0.7 Al, 0,5 mm Steel
Length	< 1250 mm
Perforation	$\varnothing 2.0$ and 3.5 mm
Inlay	wool in plastic
Finish	high gloss anodized (Al)
Other special solutions	please contact our technical information department



STRUCTURAL DETAILS SEE LEAFLET 6.1

All products are subject to modifications without prior notice.
2011