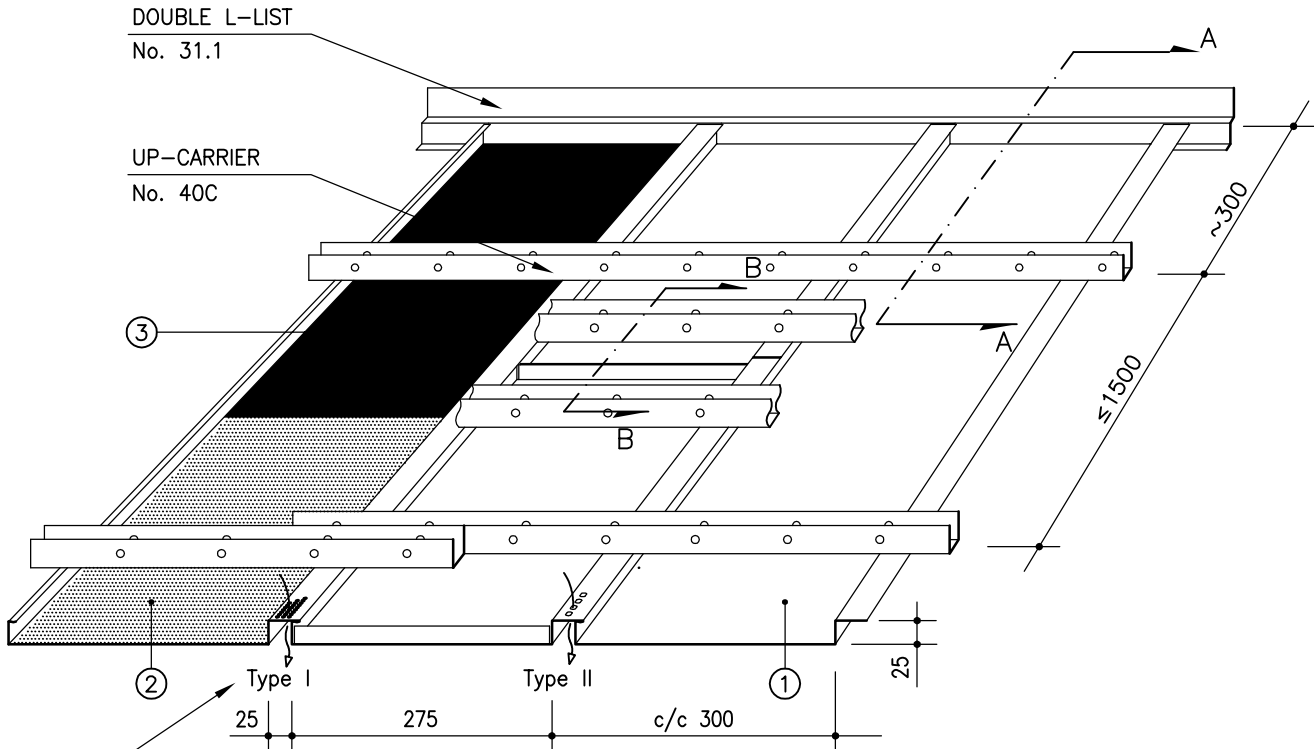


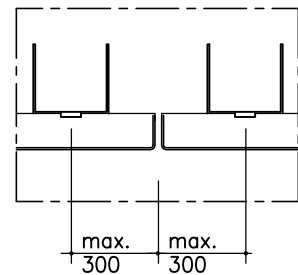
PANEL LAUTEX UP-300



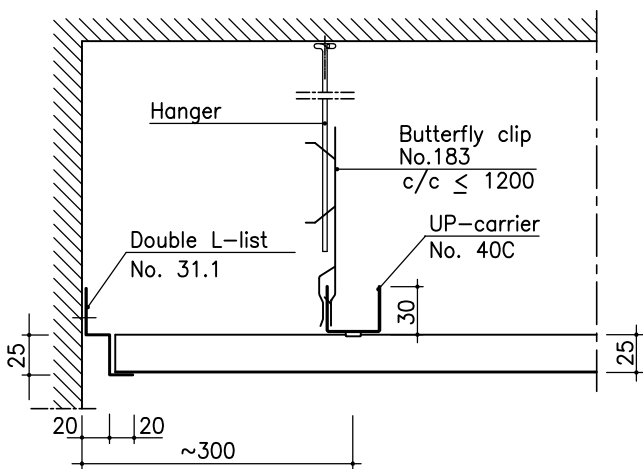
Ventilation perforation (according to order)
 Type I, $\varnothing 3.5$ mm, c/c 6.25mm = 4616mm /m²
 Type II, 5x7 mm, c/c 13 mm = 2279mm /m²

- ① = UP; unperforated
- ② = UPR; perforated without acoustic inlay
- ③ = UPRT; perforated and acoustic inlay
 when colour is LTX-101 standard white,
 *) other colours with mineral wool in plastic

B - B
 End bendings
 as standard



A - A



UP-PANEL

Material	0.7 mm Al
Width	300 mm
Height	25 mm
Length	1250-4000 mm
Perforation	$\varnothing 2.0$ mm
Inlay	acoustic felt
	*) mineral wool in plastic
Finish	stove enamelled

OTHER ALTERNATIVES

Material	0.6 mm Steel
Length	<1250 mm
Perforation	$\varnothing 3.5$ mm (see leaflet 6.2)
Inlay	mineral wool in plastic
Finish	e.g. high gloss anodized (Al)
Other special solutions	Please contact our technical information department

STRUCTURAL DETAILS SEE LEAFLET 6.1

All products are subject to modifications without prior notice.
 2011