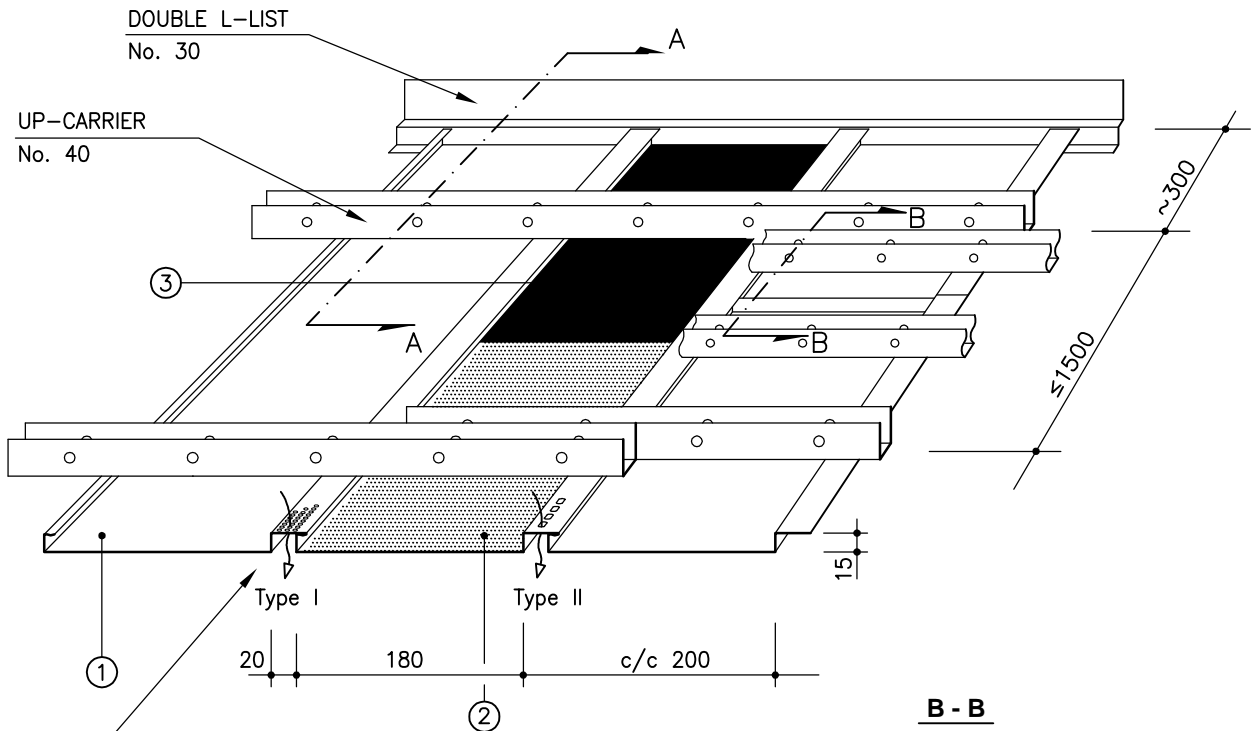


PANEL LAUTEX UP-200/15

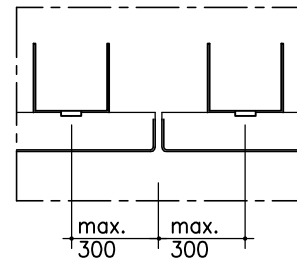


Ventilation perforation (according to order)
 Type I, $\varnothing 3.5$ mm, c/c 6.25 mm = $4616 \text{ mm}^2 / \text{m}^2$
 Type II, 5×7 mm, c/c 13 mm = $2279 \text{ mm}^2 / \text{m}^2$

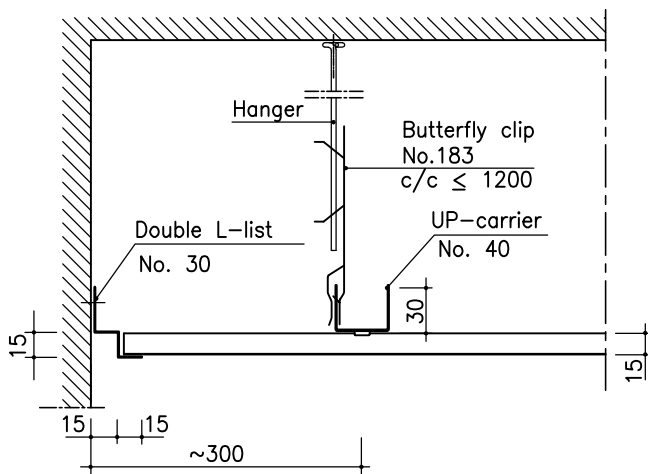
- ① = UP; unperforated without acoustic inlay
- ② = UPR; perforated
- ③ = UPRT; perforated and acoustic inlay

B - B

End bendings
by order



A - A



UP-200/15 PANEL

Material	0.7 mm Al
Width	200 mm
Height	15 mm
Length	1250–6500 mm
Perforation	$\varnothing 2.0$ mm
Inlay	acoustic felt
Finish	stove enamelled

OTHER ALTERNATIVES

Material	0.5 mm Steel
Length	<1250 mm
Perforation	$\varnothing 3.5$ mm (see leaflet 6.2)
Inlay	mineral wool in plastic
Finish	e.g. high gloss anodized (Al)
Other special solutions	Please contact our technical information department.

STRUCTURAL DETAILS SEE LEAFLET 6.1

All products are subject to modifications without prior notice.
2011