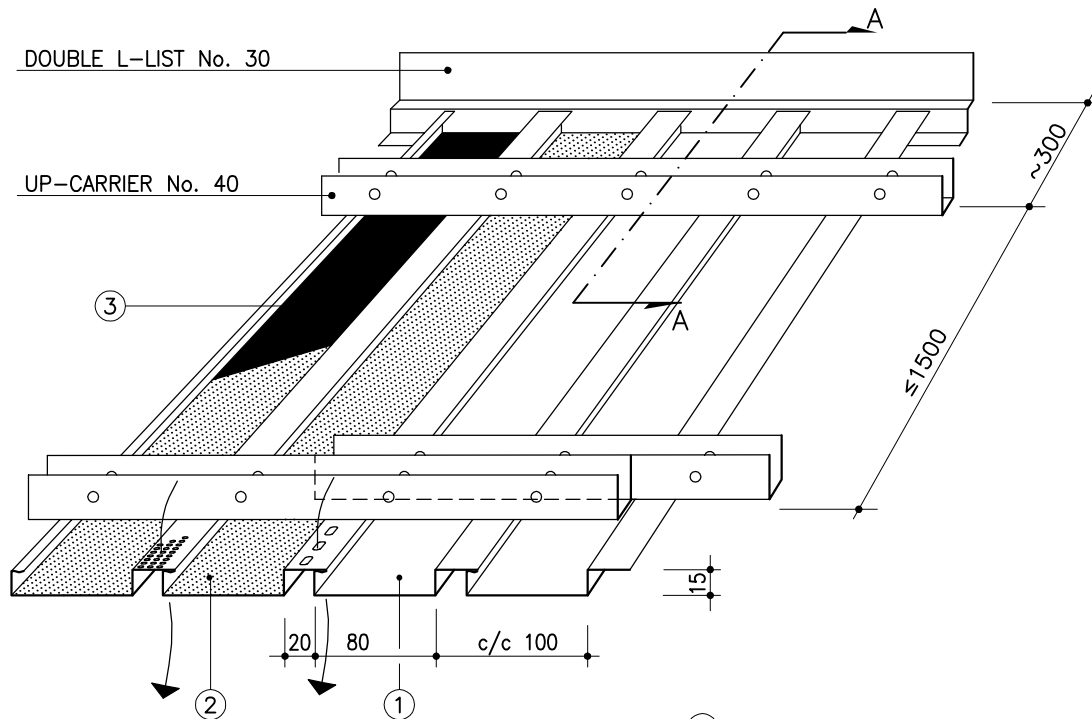


PANEL LAUTEX UP-100



VENTILATION HOLES ACCORDING TO ORDER
 $\varnothing 3.5 \text{ mm c/c } 6.3 \text{ mm} = 4616 \text{ mm}^2 / \text{rm}$
 $5 \times 7 \text{ mm c/c } 13.0 \text{ mm} = 2279 \text{ mm}^2 / \text{rm}$

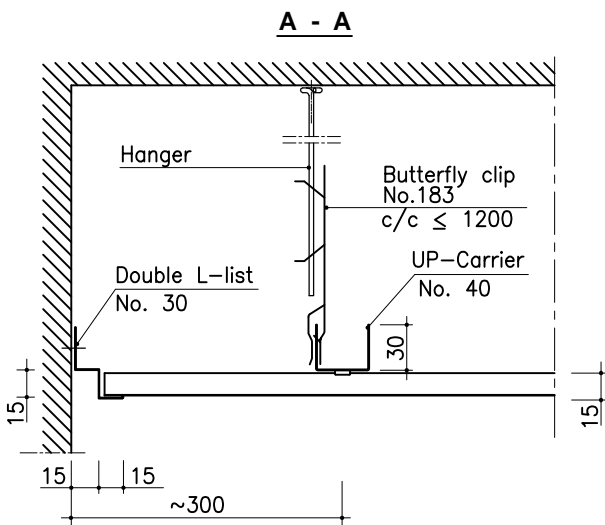
- ① = UP; unperforated without acoustic inlay
- ② = UPR; perforated on the bottom
- ③ = UPRT; perforated and acoustical felt

UP-100 PANELS

Material	0.5 Al
Width	100 mm
Height	15 mm
Length	1250–6500 mm
Perforation	$\varnothing 2.0 \text{ mm}$
Inlay	acoustical felt
Finish	stove enamelled

OTHER ALTERNATIVES

Material	0.7 Al, 0,5 mm Steel
Length	< 1250 mm
Perforation	$\varnothing 1.1 \text{ or } 3.5 \text{ mm}$
Inlay	wool in plastic
Finish	high gloss anodized (Al)
Other special solutions	please contact our technical information department



STRUCTURAL DETAILS SEE LEAFLET 6.1

All products are subject to modifications without prior notice.
2011