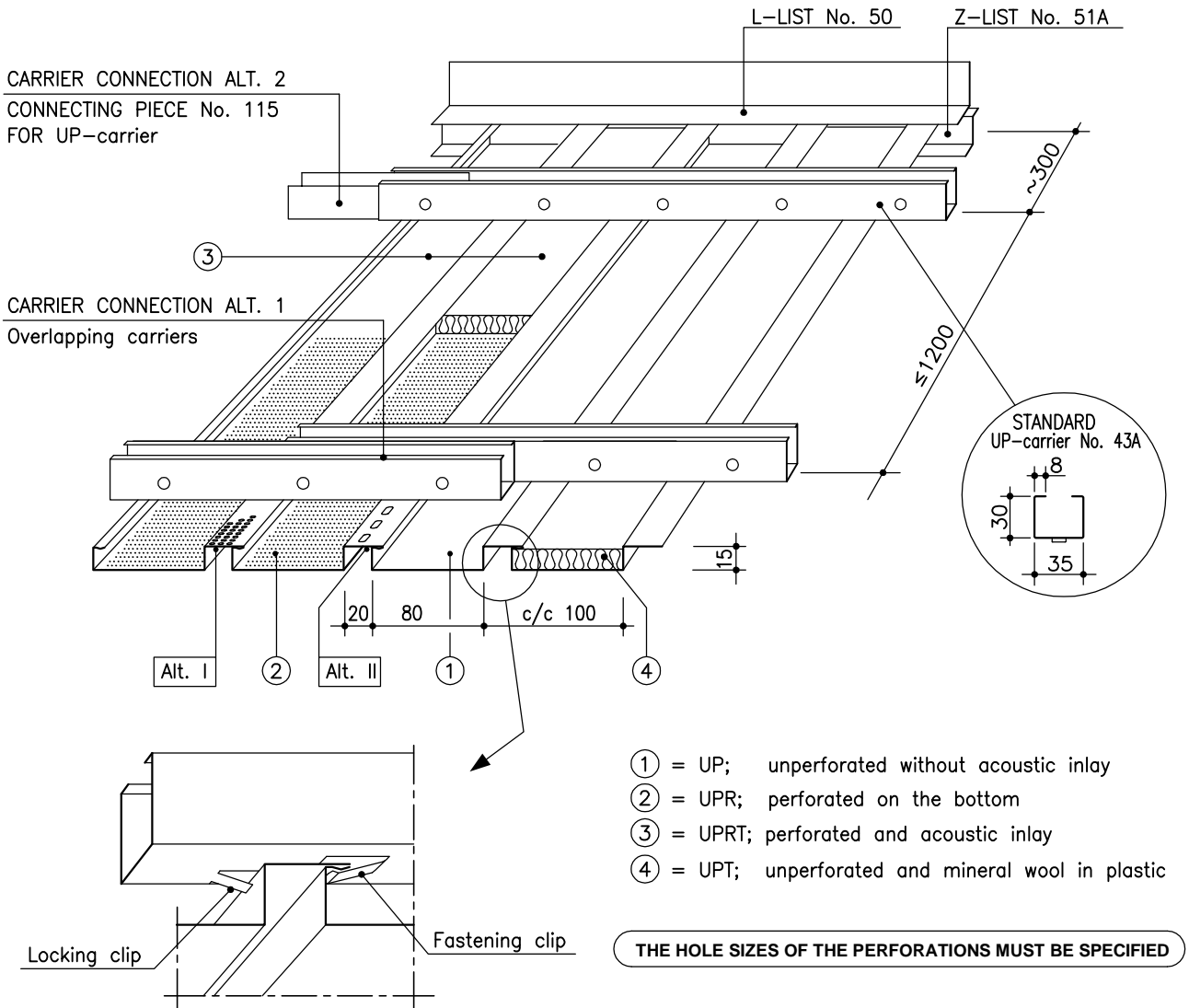


MARINE PANEL LAUTEX UP-100



UP-100 PANELS / CLASSIFICATION "C"

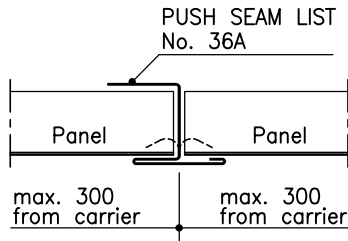
Material	0.5 Al	0.5 steel	(0.7 Al)
Width	100 mm		
Height	15 mm		
Length	max 6500 mm		
Perforation	Ø 2.0 mm, other alternatives see "Perforations"		
Inlay	mineral wool in plastic or acoustic felt		
Finish	stove enamelled (or anodized) according to LTX-colour card or any other well-known colour charts		
Ventilation	alt I Ø 3.5 mm, c/c 6.25 mm = 46 cm ² /m alt II Ø 5x7 mm, c/c 13 mm = 23 cm ² /m		
Protective film	the surface is provided with a protective film if required		
Service hatch	see page 2		
Loudspeaker panel	see page 2		
Downlight unit	see page 2		
Suspension	see page "Suspension systems for panels"		
Edge lists	see page "Lists for panels"		
Other special solutions	please contact our technical information department		

Latest information: www.lautex.com

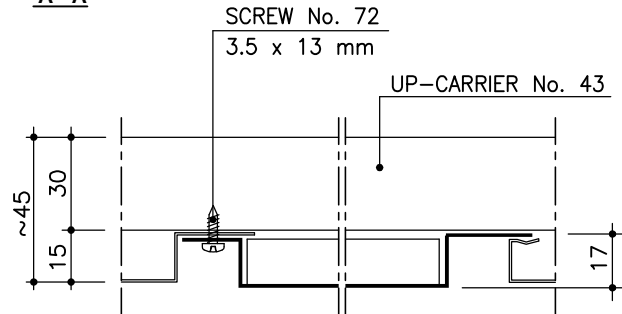
All products are subject to modifications without prior notice 2011

MARINE PANEL LAUTEX UP-100 INSTALLATION DETAILS AND ACCESSORIES

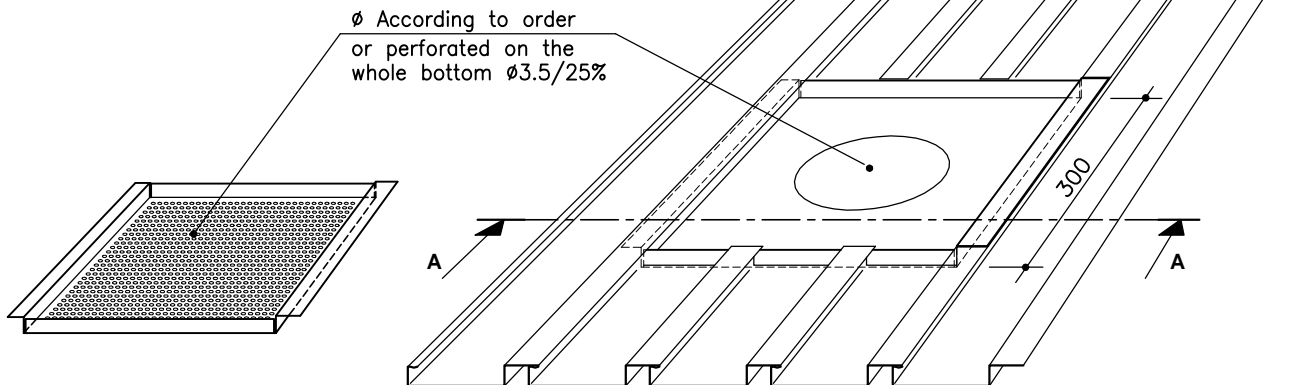
SOLUTION OF PANEL CONNECTION



A - A

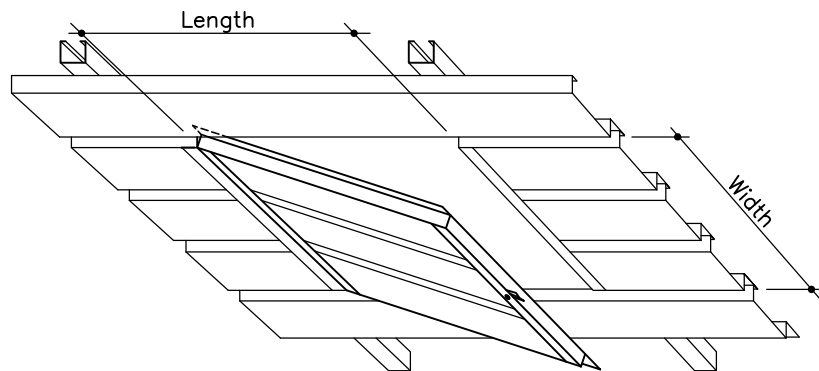


LOUDSPEAKER OR DOWNLIGHT PANEL



SERVICE HATCH

Length and width =
Opening in the ceiling
Standard sizes: 300x300
600x600



THEORETICAL NEED OF SUSPENSION STRUCTURES

Product	Need of material
Carrier No. 43A	1.2 - 1.6 m/m ²
Carrier lock	1 pcs / carrier meter
L-list No. 50	0.8 - 1.4 m/m ²
Z-list No. 51A	0.8 - 1.4 m/m ²

WEIGHT OF PANELS KG / M²

	UP-100	
Material	0.5 Al	0.5 steel
Weight	1.89	5.60

WEIGHT OF OTHER CEILING MATERIALS

Product	Weight of material
Mineral wool in plastic	0.52 kg/m ²
Carrier No. 43A	0.83 kg/m
Carrier lock	0.08 kg/pcs
L-list No. 50 (1.0 Al)	0.21 kg/m
Z-list No. 51A (1.0 Al)	0.14 kg/m

Latest information: www.lautex.com

All products are subject to modifications without prior notice 2011