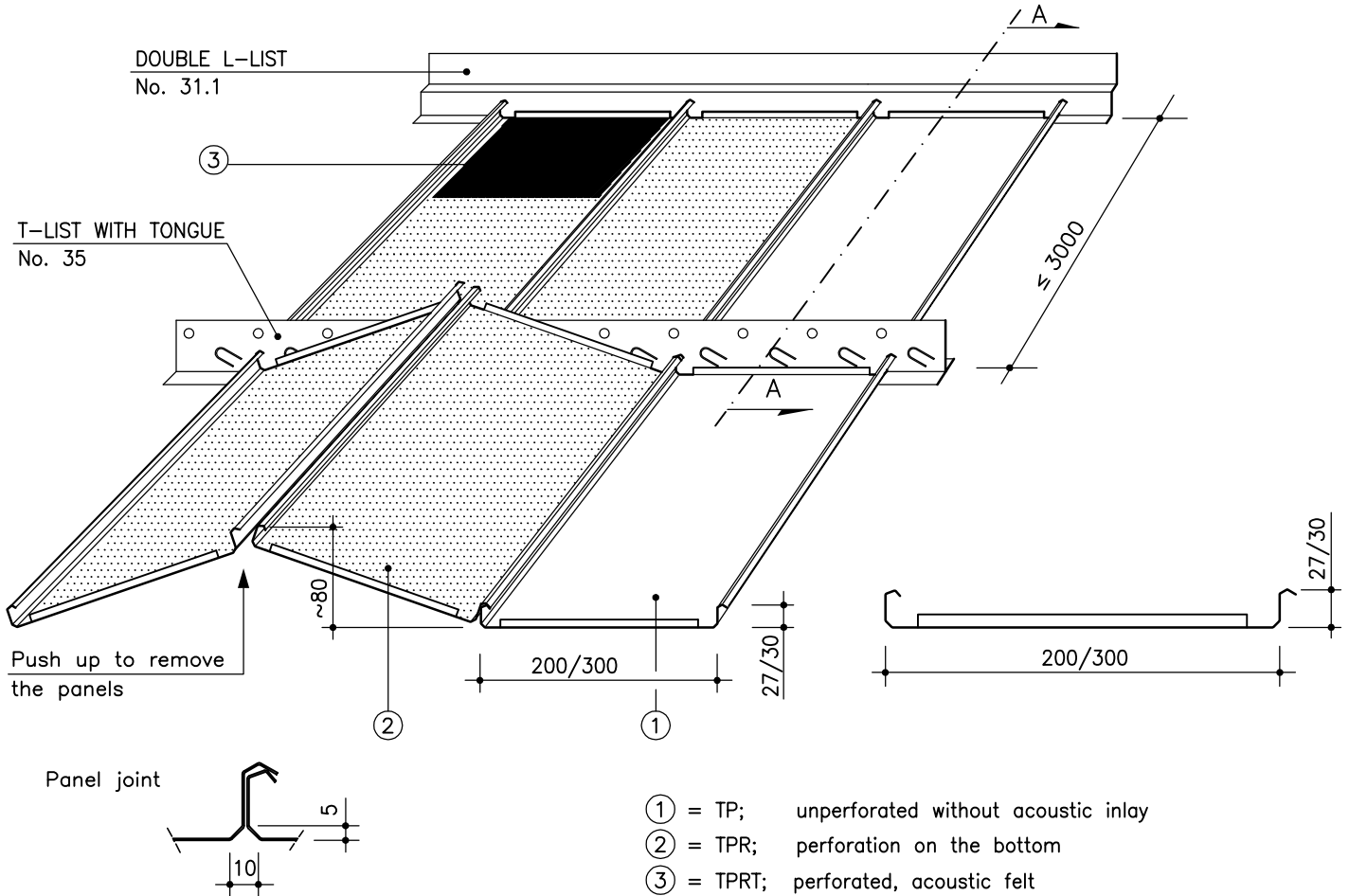
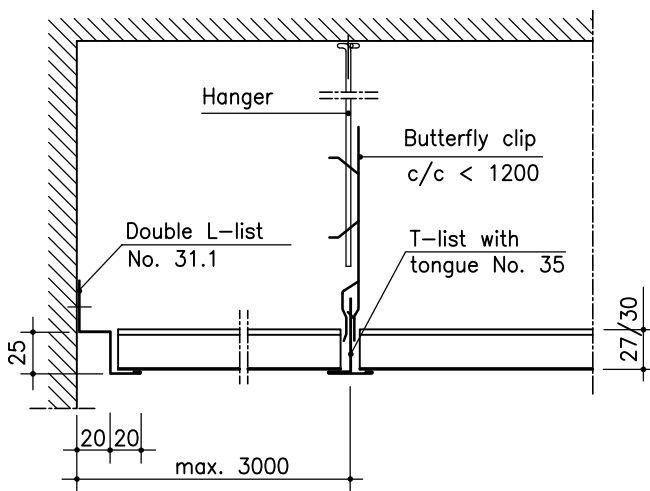


PANEL LAUTEX TP-200 AND TP-300



A - A



TP-200 AND TP-300 PANEL

Material	0.5 mm Al	0.7 mm Al
Width	200 mm	300 mm
Height	27 mm	30 mm
Length	1000–3000 mm	
Perforation	ø2.0 mm	
Inlay	acoustic felt	
Finish	stove enamelled	
End bends	standard	

OTHER ALTERNATIVES

Material	–
Width	–
Height	–
Length	–
Perforation	ø 3.5 mm
Inlay	mineral wool in plastic
Finish	high gloss anodized (Al)
Other special solutions	Please, contact our technical information department.

STRUCTURAL DETAILS SEE LEAFLET 6.1

All products are subject to modifications without prior notice.

2011