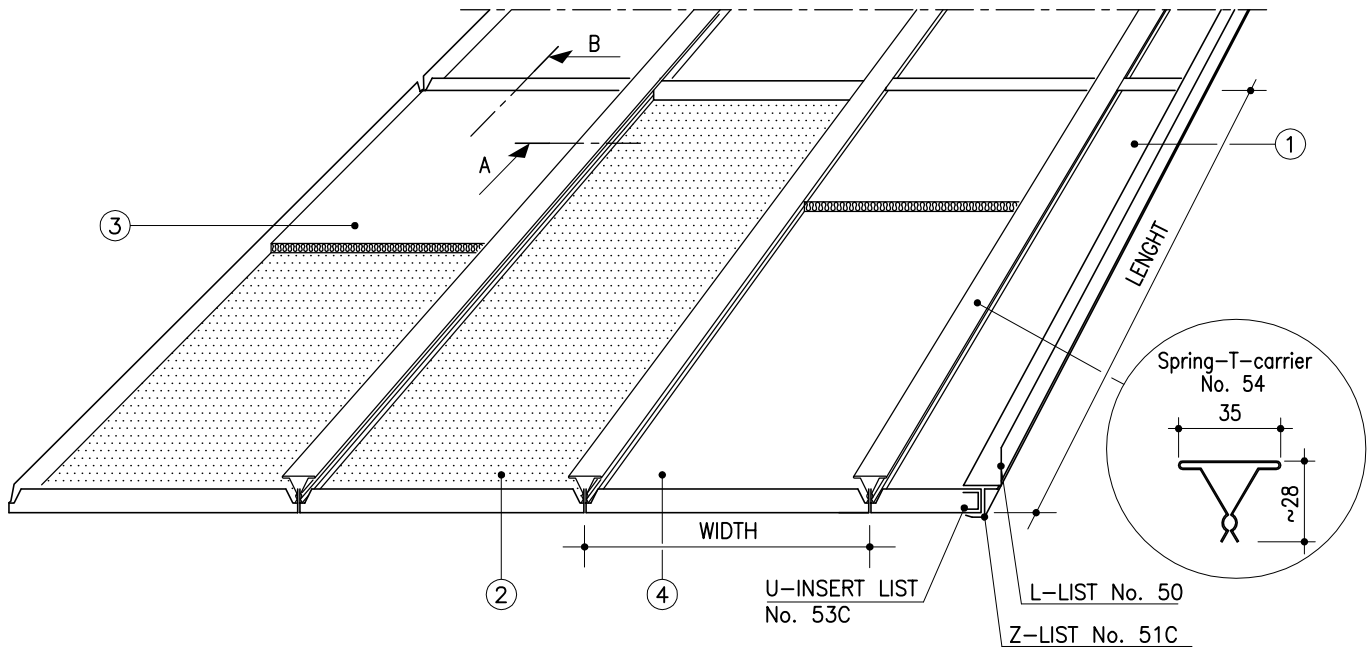
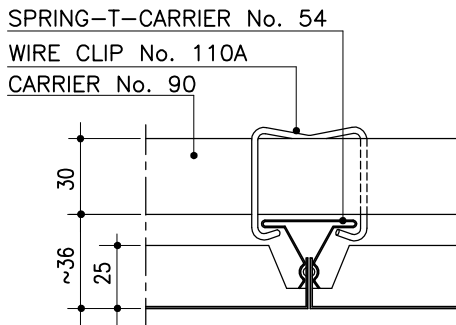


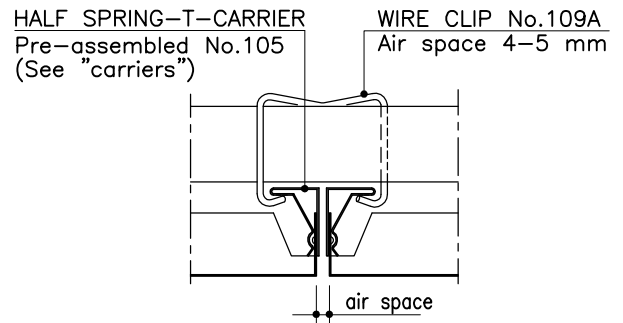
MARINE CASSETTE TJ-TYPE



SECTION A - A (ALT. 1)
INSTALLATION WITHOUT AIR SPACE

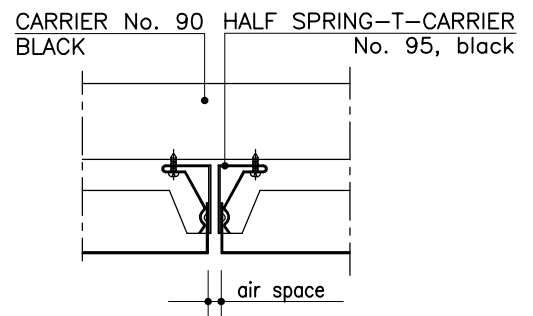


SECTION A - A (ALT. 2)
INSTALLATION WITH AIR SPACE



TJ-300 CASSETTES/ CLASSIFICATION "C"

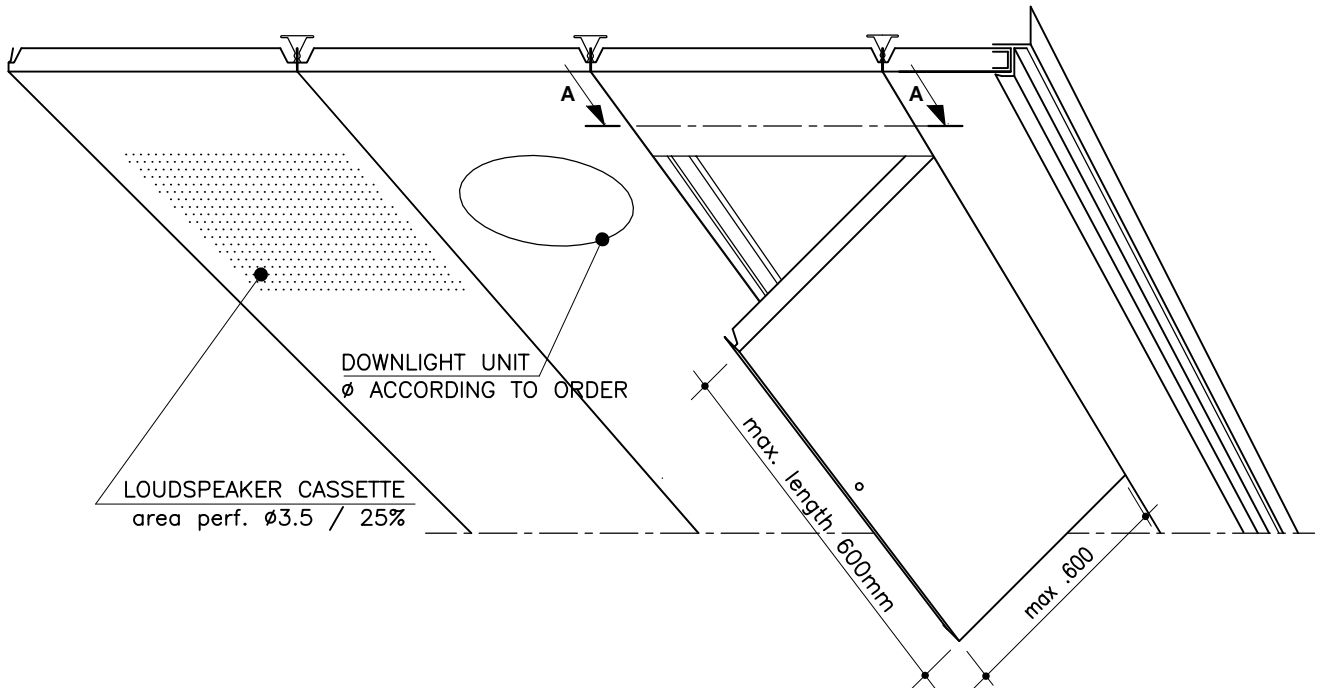
Material	0.7 Al	1.0 Al
Width	300 - 400 mm	500 - 600 mm
Height	25 mm	
Length	max 4000 mm	
Perforation	Ø2.0 mm, other perforation alternatives, see page Lautex perforations	
Inlay	mineral wool in plastic or acoustic felt	
Finish	stove enamelled (or anodized) any other well-known colour charts	
Protective film	the surface is provided with a protective film if required	
Ventilation	installation also with air space	
Special shapes	according to order	
Service hatch	see page 2	
Loudspeaker	area perforation Ø3.5mm / 25%	
Edge lists	see "Lists-01" and "Lists-02"	
Downlight unit	see page 2	
Suspensions	see "Suspension systems for J-type cassettes"	
Other special solutions	please contact our technical information department	



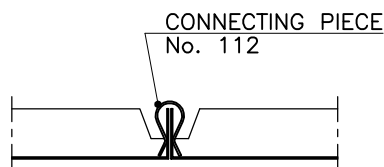
- ① = TJ; unperforated without acoustic inlay
- ② = TJR; perforated
- ③ = TJRT; perforated and mineral wool in plastic
- ④ = TJT; unperforated and mineral wool in plastic

Latest information: www.lautex.com
All products are subject to modifications without prior notice 2011

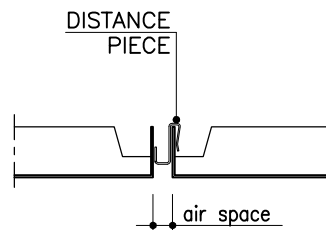
MARINE CASSETTE TJ-TYPE INSTALLATION DETAILS AND ACCESSORIES



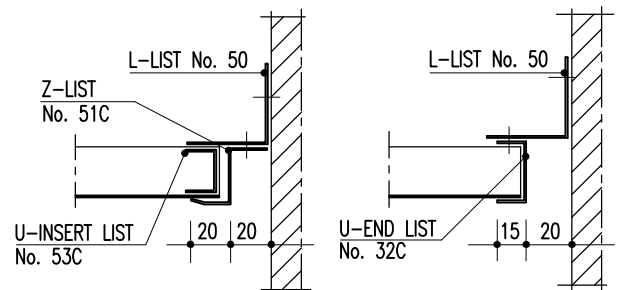
**SECTION B - B (ALT. 1)
INSTALLATION WITHOUT
AIR SPACE**



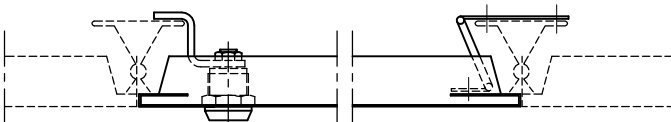
**SECTION B - B (ALT. 2)
INSTALLATION WITH AIR SPACE**



CONNECTING TO WALL



SECTION A - A, SERVICE HATCH



THEORETICAL NEED OF SUSPENSION STRUCTURES

Product	Need of material
Carrier No. 90	1.6 m/m ²
Carrier locks	4 pcs/m ²
Z-list No. 51C	0.8-1.4 m/m ²
L-list No. 50	0.8-1.4 m/m ²
Spring-T-carrier No. 54	1.8 m/m ²
Wire clip No. 110A	3 pcs/m ²
Screw	6 pcs/m ²

WEIGHT OF CEILING

Cassette	TJ-300	
Material	0.7 Al	1.0 Al
Weight	2.2 Kg/m ²	3.1 Kg/m

WEIGHT OF OTHER CEILING MATERIALS

Product	Weight of material
Carrier No. 90 (1.0 Steel)	0.83 kg/m
Carrier locks	80 g/pcs
L-list No. 50 (1.0 Al)	0.21 kg/m
Z-list No. 51C (1.0 Al)	0.16 kg/m
Spring-T-carrier (0.5 Steel)	0.44 kg/m
Mineral wool in plastic	0.52 kg/m ²

Latest information: www.lautex.com

All products are subject to modifications without prior notice 2011