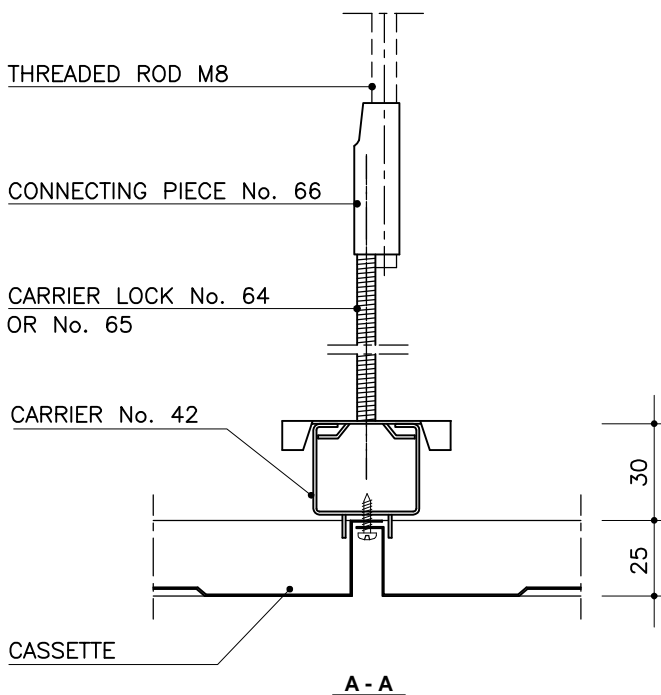
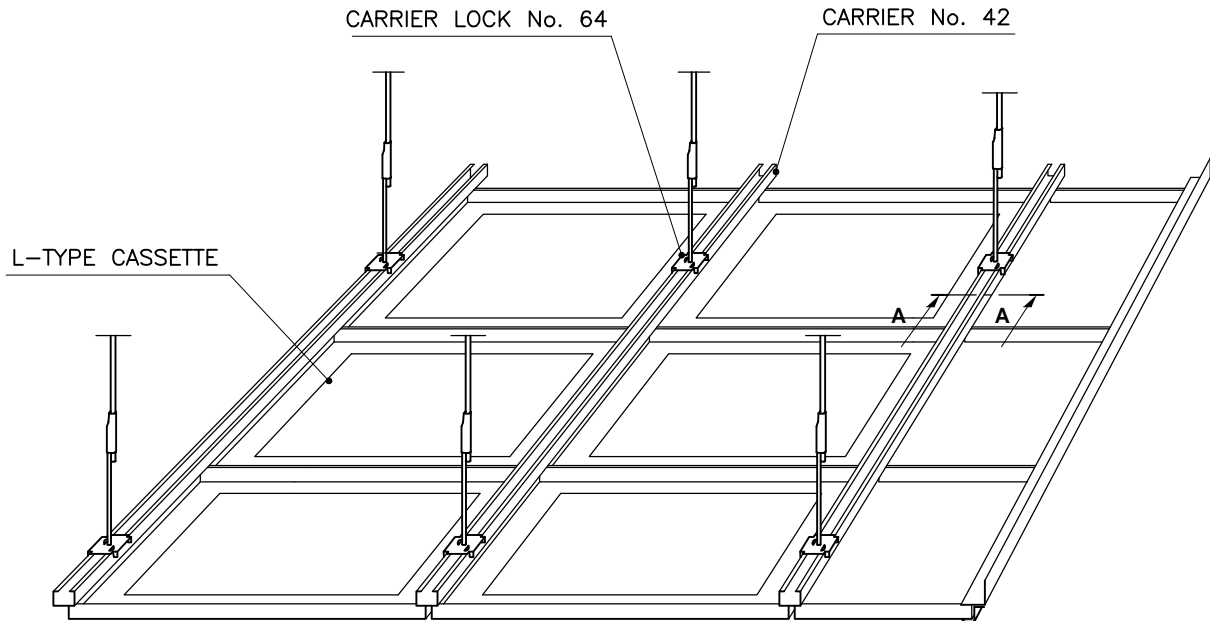


LAUTEX SUSPENSION SYSTEMS FOR L-TYPE CASSETTES



THEORETICAL NEED OF SUSPENSION STRUCTURES

Product	Need of material
Carrier No. 42	1.8 m/m ²
L-list No. 50	0.8-1.4 m/m ²
Z-list No. 51C	0.8-1.4 m/m ²
Carrier locks	4 pcs/m ²

Latest information: www.lautex.com

All products are subject to modifications without prior notice 2011