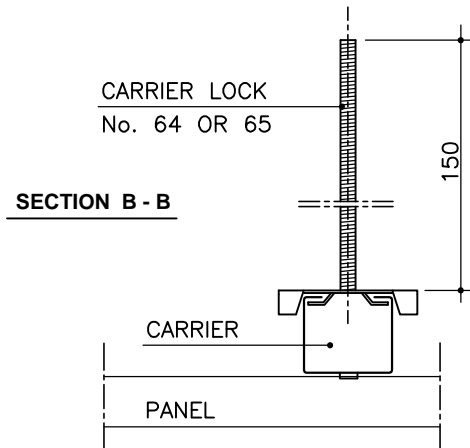
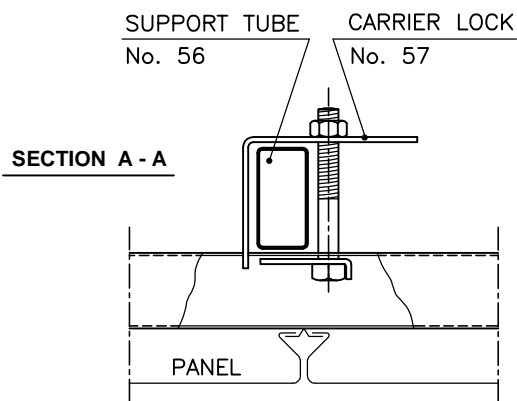
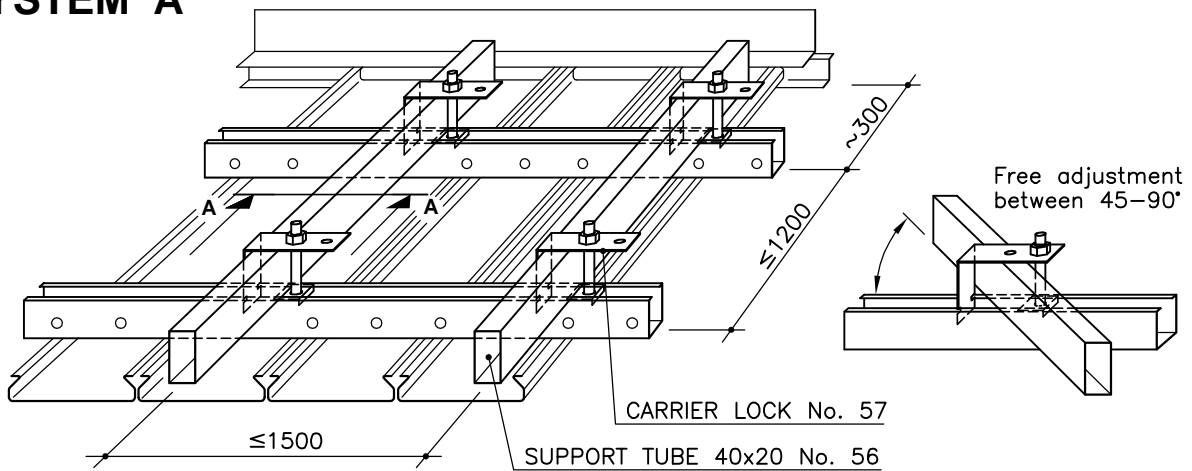
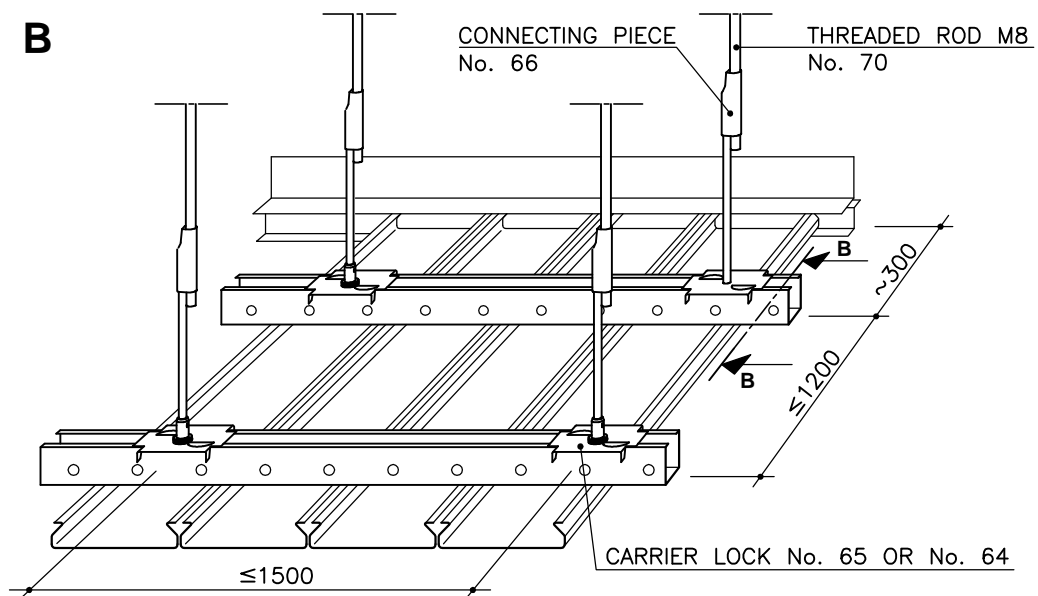


## LAUTEX SUSPENSION SYSTEMS FOR PANELS

### SYSTEM A



### SYSTEM B

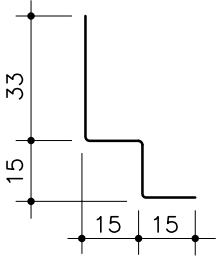
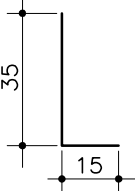
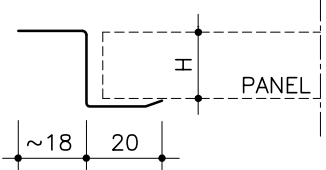
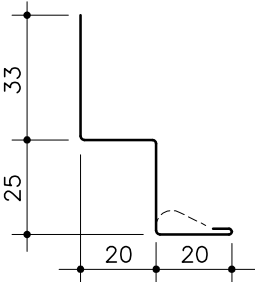
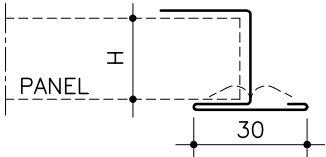
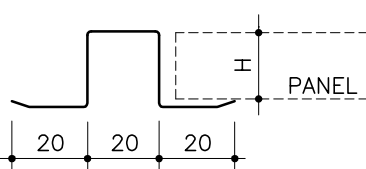
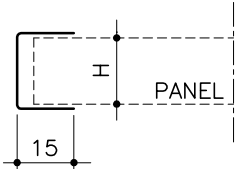
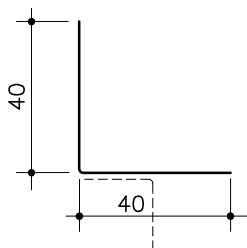
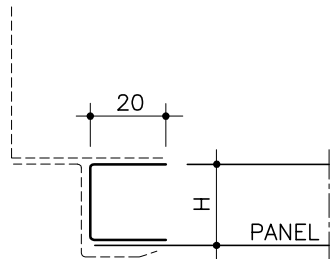


Latest information: [www.lautex.com](http://www.lautex.com)

All products are subject to modifications without prior notice 2011

## LAUTEX LISTS FOR PANELS

Lists: L=3000

| <p><b>No. 30 DOUBLE-L-LIST</b></p>  <p>0.7 Al<br/>0.14 kg/m</p>  | <p><b>No. 33 L-LIST</b></p>  <p>0.7 Al<br/>0.09 kg/m Can be bent</p>  | <p><b>No. 51 Z-LIST</b></p> <table border="1" data-bbox="1029 336 1388 571"> <thead> <tr> <th>No.</th> <th>H</th> <th>Weight kg/m</th> </tr> </thead> <tbody> <tr><td>51A</td><td>15</td><td>0.42</td></tr> <tr><td>51B</td><td>20</td><td>0.44</td></tr> <tr><td>51C</td><td>25</td><td>0.48</td></tr> <tr><td>51D</td><td>30</td><td>0.54</td></tr> <tr><td>51E</td><td>35</td><td>0.58</td></tr> <tr><td>51F</td><td>40</td><td>0.62</td></tr> <tr><td>51G</td><td>48</td><td>0.68</td></tr> <tr><td>51H</td><td>50</td><td>0.70</td></tr> </tbody> </table>  <p>1.0 Steel (Weights in the table)<br/>1.5 Al Can be bent</p> | No.         | H   | Weight kg/m | 51A  | 15  | 0.42 | 51B  | 20   | 0.44 | 51C  | 25          | 0.48 | 51D  | 30   | 0.54 | 51E  | 35   | 0.58 | 51F  | 40   | 0.62 | 51G  | 48   | 0.68 | 51H  | 50  | 0.70   |     |      |             |     |      |      |     |      |      |     |    |      |     |    |      |     |    |      |     |    |      |
|---|--|--|-------------|-----|-------------|------|-----|------|------|--|------|------|-------------|------|------|------|------|------|------|------|------|------|------|------|------|------|------|---|--|-----|------|-------------|-----|------|------|-----|------|------|-----|----|------|-----|----|------|-----|----|------|-----|----|------|
| No.   | H  | Weight kg/m  |             |     |             |      |     |      |      |  |      |      |             |      |      |      |      |      |      |      |      |      |      |      |      |      |      |   |  |     |      |             |     |      |      |     |      |      |     |    |      |     |    |      |     |    |      |     |    |      |
| 51A   | 15   | 0.42   |             |     |             |      |     |      |      |  |      |      |             |      |      |      |      |      |      |      |      |      |      |      |      |      |      |   |  |     |      |             |     |      |      |     |      |      |     |    |      |     |    |      |     |    |      |     |    |      |
| 51B   | 20   | 0.44   |             |     |             |      |     |      |      |  |      |      |             |      |      |      |      |      |      |      |      |      |      |      |      |      |      |   |  |     |      |             |     |      |      |     |      |      |     |    |      |     |    |      |     |    |      |     |    |      |
| 51C   | 25   | 0.48   |             |     |             |      |     |      |      |  |      |      |             |      |      |      |      |      |      |      |      |      |      |      |      |      |      |   |  |     |      |             |     |      |      |     |      |      |     |    |      |     |    |      |     |    |      |     |    |      |
| 51D   | 30   | 0.54   |             |     |             |      |     |      |      |  |      |      |             |      |      |      |      |      |      |      |      |      |      |      |      |      |      |   |  |     |      |             |     |      |      |     |      |      |     |    |      |     |    |      |     |    |      |     |    |      |
| 51E   | 35   | 0.58   |             |     |             |      |     |      |      |  |      |      |             |      |      |      |      |      |      |      |      |      |      |      |      |      |      |   |  |     |      |             |     |      |      |     |      |      |     |    |      |     |    |      |     |    |      |     |    |      |
| 51F   | 40   | 0.62   |             |     |             |      |     |      |      |  |      |      |             |      |      |      |      |      |      |      |      |      |      |      |      |      |      |   |  |     |      |             |     |      |      |     |      |      |     |    |      |     |    |      |     |    |      |     |    |      |
| 51G   | 48   | 0.68   |             |     |             |      |     |      |      |  |      |      |             |      |      |      |      |      |      |      |      |      |      |      |      |      |      |   |  |     |      |             |     |      |      |     |      |      |     |    |      |     |    |      |     |    |      |     |    |      |
| 51H   | 50   | 0.70   |             |     |             |      |     |      |      |  |      |      |             |      |      |      |      |      |      |      |      |      |      |      |      |      |      |   |  |     |      |             |     |      |      |     |      |      |     |    |      |     |    |      |     |    |      |     |    |      |
| <p><b>No. 31 DOUBLE-L-LIST WITH TONGUE</b></p>  <p>0.7 Al<br/>0.19 kg/m</p>   | <p><b>No. 36 PUSH SEAM LIST</b></p> <table border="1" data-bbox="678 918 853 1041"> <thead> <tr> <th>No.</th> <th>H</th> </tr> </thead> <tbody> <tr><td>36A</td><td>15</td></tr> <tr><td>36B</td><td>20</td></tr> <tr><td>36C</td><td>25</td></tr> </tbody> </table>  <p>1.0 Al<br/>0.28 kg/m</p> | No.  | H           | 36A | 15          | 36B  | 20  | 36C  | 25   | <p><b>No. 52 HAT LIST</b></p> <table border="1" data-bbox="1029 907 1388 1153"> <thead> <tr> <th>No.</th> <th>H</th> <th>Weight kg/m</th> </tr> </thead> <tbody> <tr><td>52A</td><td>15</td><td>0.23</td></tr> <tr><td>52B</td><td>20</td><td>0.26</td></tr> <tr><td>52C</td><td>25</td><td>0.29</td></tr> <tr><td>52D</td><td>30</td><td>0.31</td></tr> <tr><td>52E</td><td>35</td><td>0.34</td></tr> <tr><td>52F</td><td>40</td><td>0.37</td></tr> <tr><td>52G</td><td>48</td><td>0.39</td></tr> <tr><td>52H</td><td>50</td><td>0.40</td></tr> </tbody> </table>  <p>1.0 Al</p> | No.  | H    | Weight kg/m | 52A  | 15   | 0.23 | 52B  | 20   | 0.26 | 52C  | 25   | 0.29 | 52D  | 30   | 0.31 | 52E  | 35   | 0.34  | 52F  | 40  | 0.37 | 52G         | 48  | 0.39 | 52H  | 50  | 0.40 |      |     |    |      |     |    |      |     |    |      |     |    |      |
| No.   | H  |  |             |     |             |      |     |      |      |  |      |      |             |      |      |      |      |      |      |      |      |      |      |      |      |      |      |   |  |     |      |             |     |      |      |     |      |      |     |    |      |     |    |      |     |    |      |     |    |      |
| 36A   | 15   |  |             |     |             |      |     |      |      |  |      |      |             |      |      |      |      |      |      |      |      |      |      |      |      |      |      |   |  |     |      |             |     |      |      |     |      |      |     |    |      |     |    |      |     |    |      |     |    |      |
| 36B   | 20   |  |             |     |             |      |     |      |      |  |      |      |             |      |      |      |      |      |      |      |      |      |      |      |      |      |      |   |  |     |      |             |     |      |      |     |      |      |     |    |      |     |    |      |     |    |      |     |    |      |
| 36C   | 25   |  |             |     |             |      |     |      |      |  |      |      |             |      |      |      |      |      |      |      |      |      |      |      |      |      |      |   |  |     |      |             |     |      |      |     |      |      |     |    |      |     |    |      |     |    |      |     |    |      |
| No.   | H  | Weight kg/m  |             |     |             |      |     |      |      |  |      |      |             |      |      |      |      |      |      |      |      |      |      |      |      |      |      |   |  |     |      |             |     |      |      |     |      |      |     |    |      |     |    |      |     |    |      |     |    |      |
| 52A   | 15   | 0.23   |             |     |             |      |     |      |      |  |      |      |             |      |      |      |      |      |      |      |      |      |      |      |      |      |      |   |  |     |      |             |     |      |      |     |      |      |     |    |      |     |    |      |     |    |      |     |    |      |
| 52B   | 20   | 0.26   |             |     |             |      |     |      |      |  |      |      |             |      |      |      |      |      |      |      |      |      |      |      |      |      |      |   |  |     |      |             |     |      |      |     |      |      |     |    |      |     |    |      |     |    |      |     |    |      |
| 52C   | 25   | 0.29   |             |     |             |      |     |      |      |  |      |      |             |      |      |      |      |      |      |      |      |      |      |      |      |      |      |   |  |     |      |             |     |      |      |     |      |      |     |    |      |     |    |      |     |    |      |     |    |      |
| 52D   | 30   | 0.31   |             |     |             |      |     |      |      |  |      |      |             |      |      |      |      |      |      |      |      |      |      |      |      |      |      |   |  |     |      |             |     |      |      |     |      |      |     |    |      |     |    |      |     |    |      |     |    |      |
| 52E   | 35   | 0.34   |             |     |             |      |     |      |      |  |      |      |             |      |      |      |      |      |      |      |      |      |      |      |      |      |      |   |  |     |      |             |     |      |      |     |      |      |     |    |      |     |    |      |     |    |      |     |    |      |
| 52F   | 40   | 0.37   |             |     |             |      |     |      |      |  |      |      |             |      |      |      |      |      |      |      |      |      |      |      |      |      |      |   |  |     |      |             |     |      |      |     |      |      |     |    |      |     |    |      |     |    |      |     |    |      |
| 52G   | 48   | 0.39   |             |     |             |      |     |      |      |  |      |      |             |      |      |      |      |      |      |      |      |      |      |      |      |      |      |   |  |     |      |             |     |      |      |     |      |      |     |    |      |     |    |      |     |    |      |     |    |      |
| 52H   | 50   | 0.40   |             |     |             |      |     |      |      |  |      |      |             |      |      |      |      |      |      |      |      |      |      |      |      |      |      |   |  |     |      |             |     |      |      |     |      |      |     |    |      |     |    |      |     |    |      |     |    |      |
| <p><b>No. 32 U-END LIST</b></p> <table border="1" data-bbox="175 1456 534 1691"> <thead> <tr> <th>No.</th> <th>H</th> <th>Weight kg/m</th> </tr> </thead> <tbody> <tr><td>32A</td><td>15</td><td>0.09</td></tr> <tr><td>32B</td><td>20</td><td>0.10</td></tr> <tr><td>32C</td><td>25</td><td>0.10</td></tr> <tr><td>32D</td><td>30</td><td>0.11</td></tr> <tr><td>32E</td><td>35</td><td>0.12</td></tr> <tr><td>32F</td><td>40</td><td>0.13</td></tr> <tr><td>32G</td><td>48</td><td>0.15</td></tr> <tr><td>32H</td><td>50</td><td>0.15</td></tr> </tbody> </table>  <p>0.7 Al</p> | No.  | H  | Weight kg/m | 32A | 15          | 0.09 | 32B | 20   | 0.10 | 32C  | 25   | 0.10 | 32D         | 30   | 0.11 | 32E  | 35   | 0.12 | 32F  | 40   | 0.13 | 32G  | 48   | 0.15 | 32H  | 50   | 0.15 | <p><b>No. 50 L-LIST 40x40</b></p>  <p>1.0 Al 0.21 kg/m<br/>1.0 Steel 0.62 kg/m</p> | <p><b>No. 53 U-INSERT LIST</b></p> <table border="1" data-bbox="1029 1478 1388 1668"> <thead> <tr> <th>No.</th> <th>H</th> <th>Weight kg/m</th> </tr> </thead> <tbody> <tr><td>53A</td><td>15</td><td>0.10</td></tr> <tr><td>53B</td><td>20</td><td>0.11</td></tr> <tr><td>53C</td><td>25</td><td>0.12</td></tr> <tr><td>53D</td><td>30</td><td>0.13</td></tr> <tr><td>53E</td><td>35</td><td>0.14</td></tr> <tr><td>53F</td><td>40</td><td>0.15</td></tr> </tbody> </table>  <p>0.7 Al</p> | No. | H    | Weight kg/m | 53A | 15   | 0.10 | 53B | 20   | 0.11 | 53C | 25 | 0.12 | 53D | 30 | 0.13 | 53E | 35 | 0.14 | 53F | 40 | 0.15 |
| No.   | H  | Weight kg/m  |             |     |             |      |     |      |      |  |      |      |             |      |      |      |      |      |      |      |      |      |      |      |      |      |      |   |  |     |      |             |     |      |      |     |      |      |     |    |      |     |    |      |     |    |      |     |    |      |
| 32A   | 15   | 0.09   |             |     |             |      |     |      |      |  |      |      |             |      |      |      |      |      |      |      |      |      |      |      |      |      |      |   |  |     |      |             |     |      |      |     |      |      |     |    |      |     |    |      |     |    |      |     |    |      |
| 32B   | 20   | 0.10   |             |     |             |      |     |      |      |  |      |      |             |      |      |      |      |      |      |      |      |      |      |      |      |      |      |   |  |     |      |             |     |      |      |     |      |      |     |    |      |     |    |      |     |    |      |     |    |      |
| 32C   | 25   | 0.10   |             |     |             |      |     |      |      |  |      |      |             |      |      |      |      |      |      |      |      |      |      |      |      |      |      |   |  |     |      |             |     |      |      |     |      |      |     |    |      |     |    |      |     |    |      |     |    |      |
| 32D   | 30   | 0.11   |             |     |             |      |     |      |      |  |      |      |             |      |      |      |      |      |      |      |      |      |      |      |      |      |      |   |  |     |      |             |     |      |      |     |      |      |     |    |      |     |    |      |     |    |      |     |    |      |
| 32E   | 35   | 0.12   |             |     |             |      |     |      |      |  |      |      |             |      |      |      |      |      |      |      |      |      |      |      |      |      |      |   |  |     |      |             |     |      |      |     |      |      |     |    |      |     |    |      |     |    |      |     |    |      |
| 32F   | 40   | 0.13   |             |     |             |      |     |      |      |  |      |      |             |      |      |      |      |      |      |      |      |      |      |      |      |      |      |   |  |     |      |             |     |      |      |     |      |      |     |    |      |     |    |      |     |    |      |     |    |      |
| 32G   | 48   | 0.15   |             |     |             |      |     |      |      |  |      |      |             |      |      |      |      |      |      |      |      |      |      |      |      |      |      |   |  |     |      |             |     |      |      |     |      |      |     |    |      |     |    |      |     |    |      |     |    |      |
| 32H   | 50   | 0.15   |             |     |             |      |     |      |      |  |      |      |             |      |      |      |      |      |      |      |      |      |      |      |      |      |      |   |  |     |      |             |     |      |      |     |      |      |     |    |      |     |    |      |     |    |      |     |    |      |
| No.   | H  | Weight kg/m  |             |     |             |      |     |      |      |  |      |      |             |      |      |      |      |      |      |      |      |      |      |      |      |      |      |   |  |     |      |             |     |      |      |     |      |      |     |    |      |     |    |      |     |    |      |     |    |      |
| 53A   | 15   | 0.10   |             |     |             |      |     |      |      |  |      |      |             |      |      |      |      |      |      |      |      |      |      |      |      |      |      |   |  |     |      |             |     |      |      |     |      |      |     |    |      |     |    |      |     |    |      |     |    |      |
| 53B   | 20   | 0.11   |             |     |             |      |     |      |      |  |      |      |             |      |      |      |      |      |      |      |      |      |      |      |      |      |      |   |  |     |      |             |     |      |      |     |      |      |     |    |      |     |    |      |     |    |      |     |    |      |
| 53C   | 25   | 0.12   |             |     |             |      |     |      |      |  |      |      |             |      |      |      |      |      |      |      |      |      |      |      |      |      |      |   |  |     |      |             |     |      |      |     |      |      |     |    |      |     |    |      |     |    |      |     |    |      |
| 53D   | 30   | 0.13   |             |     |             |      |     |      |      |  |      |      |             |      |      |      |      |      |      |      |      |      |      |      |      |      |      |   |  |     |      |             |     |      |      |     |      |      |     |    |      |     |    |      |     |    |      |     |    |      |
| 53E   | 35   | 0.14   |             |     |             |      |     |      |      |  |      |      |             |      |      |      |      |      |      |      |      |      |      |      |      |      |      |   |  |     |      |             |     |      |      |     |      |      |     |    |      |     |    |      |     |    |      |     |    |      |
| 53F   | 40   | 0.15   |             |     |             |      |     |      |      |  |      |      |             |      |      |      |      |      |      |      |      |      |      |      |      |      |      |   |  |     |      |             |     |      |      |     |      |      |     |    |      |     |    |      |     |    |      |     |    |      |

More lists see section 6

Latest information: [www.lautex.com](http://www.lautex.com)

All products are subject to modifications without prior notice 2011