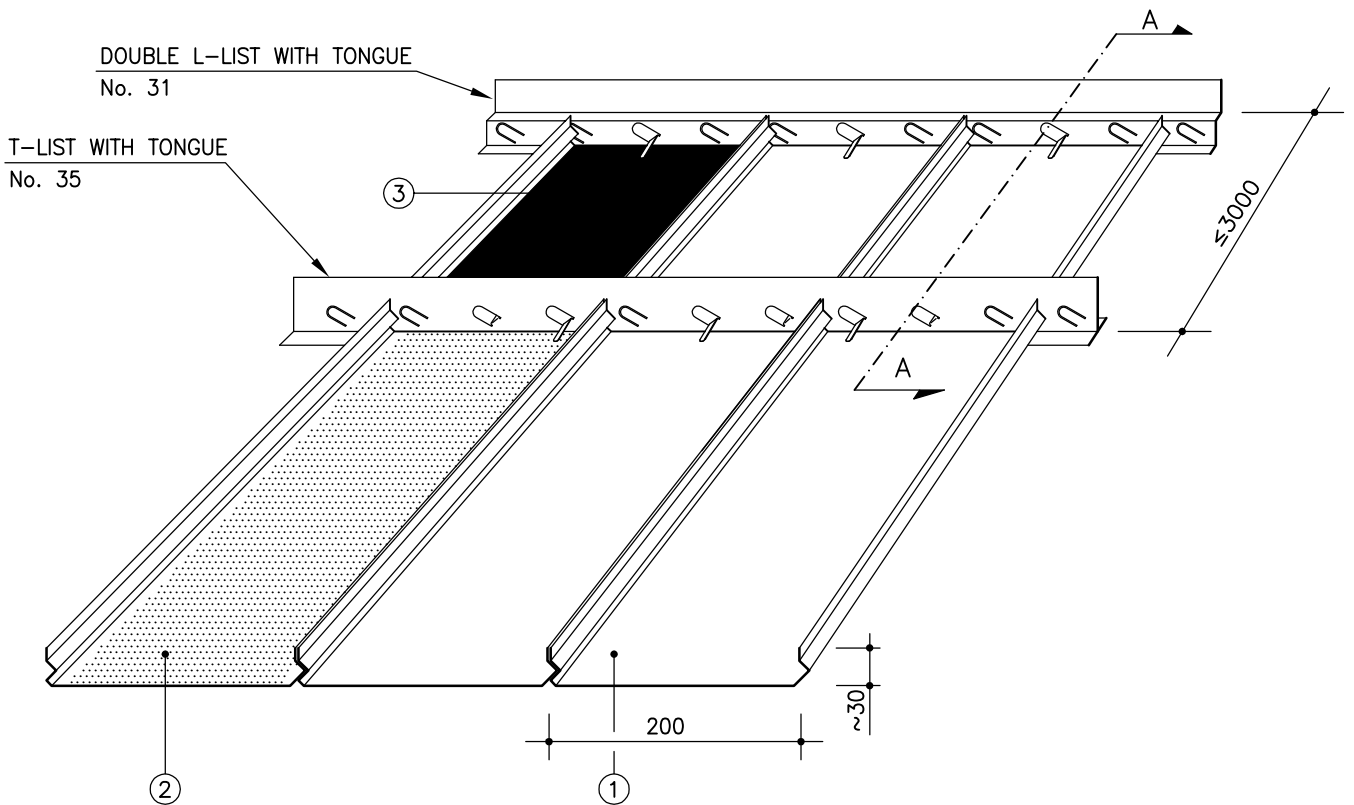
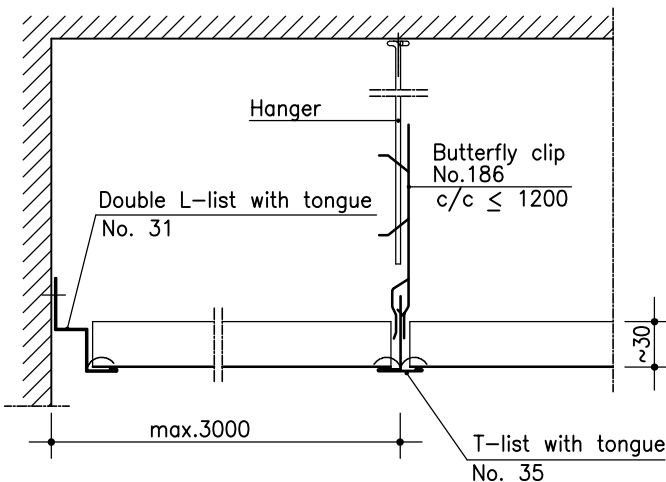


## PANEL LAUTEX S-200



- ① = S; unperforated, without acoustic inlay
- ② = SR; perforated
- ③ = SRT; perforated and acoustic inlay



### S-200 PANEL

Material	0.5 mm Al
Width	200 mm
Height	~30 mm
Length	1250-3000 mm
Perforation	ø2.0 mm
Inlay	acoustic felt
Finish	stove enamelled, LTX-101

### OTHER ALTERNATIVES

Material	0.7 mm Al
Length	<1250 mm
Perforation	ø3.5 mm
Inlay	mineral wool in plastic
Finish	stove enamelled, other shades (0.7 Al)
Other special solutions	Please contact our technical information department.

STRUCTURAL DETAILS SEE LEAFLET 6.1

All products are subject to modifications without prior notice.  
2011