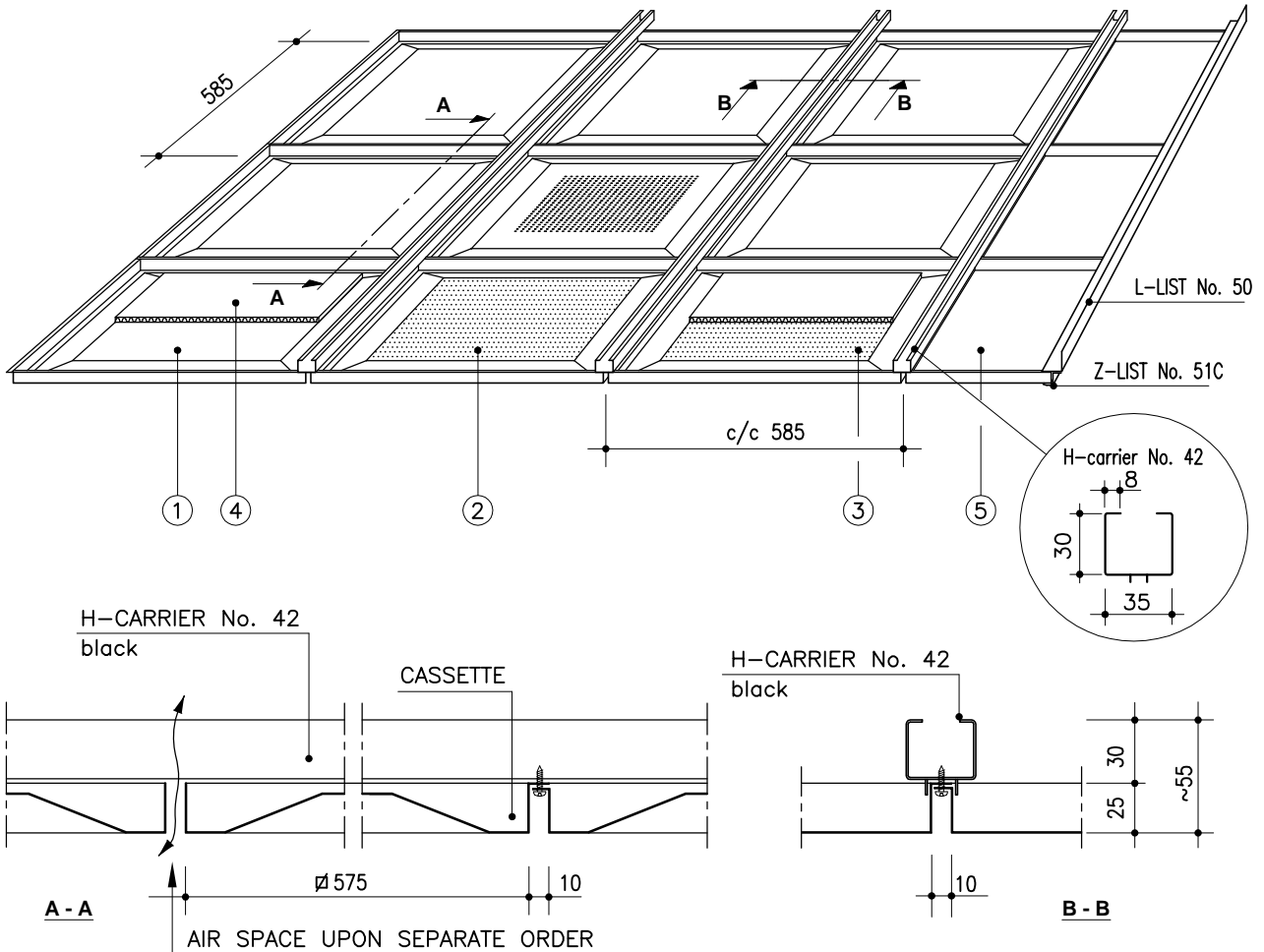


## MARINE CASSETTE LAUTEX RL-585



### RL-585 CASSETTES / CLASSIFICATION "C"

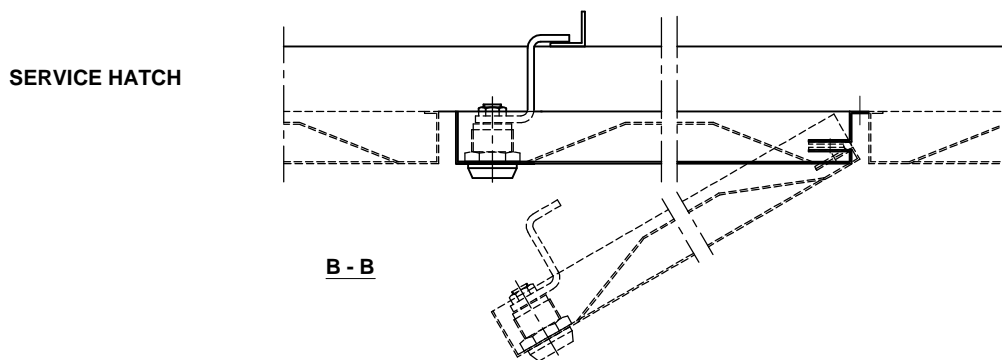
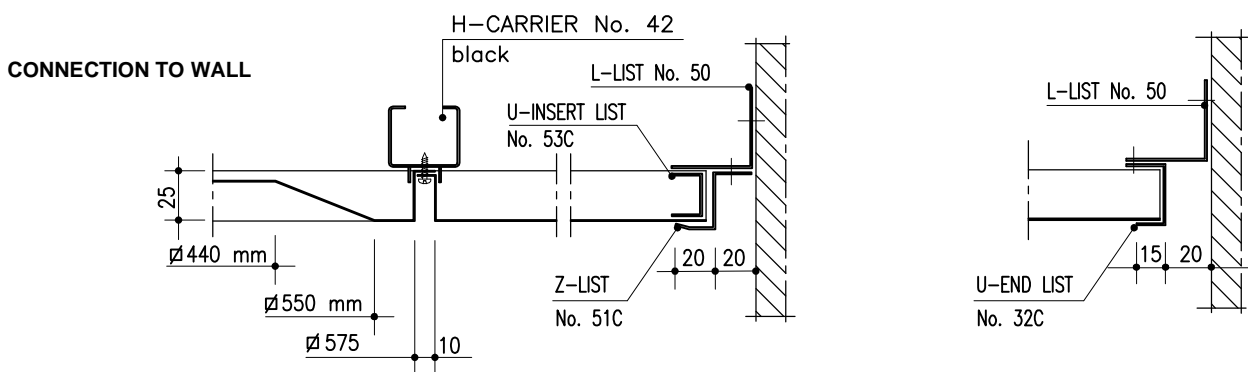
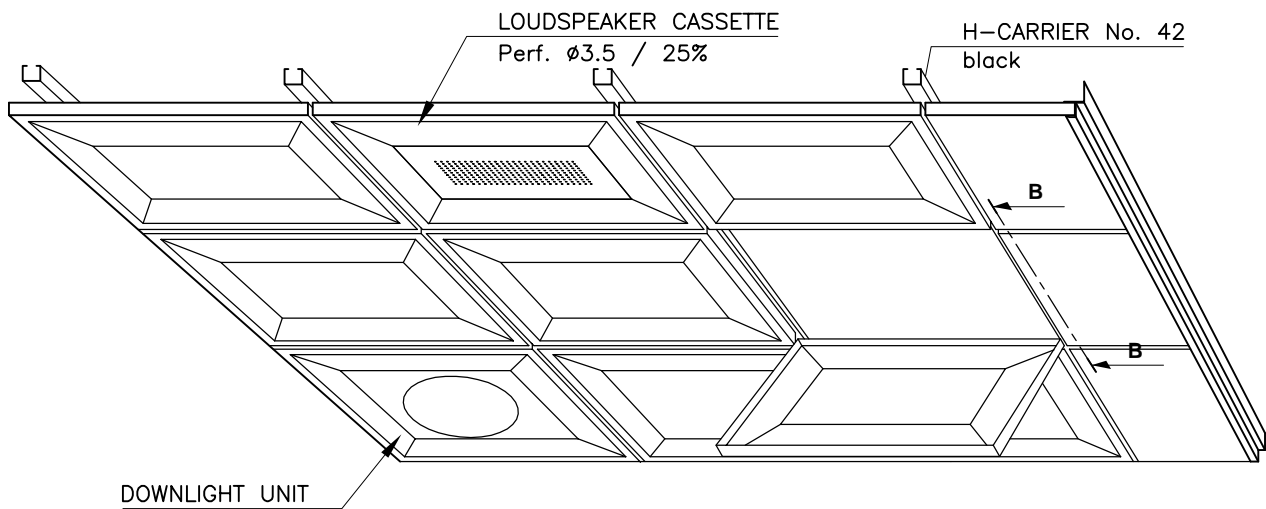
Material	0.5 Steel
Module	585 x 585 mm
Height	25 mm
Perforation	ø3.5 mm
Inlay	mineral wool in plastic or acoustic felt
Finish	stove enamelled according to LTX-colour card or any other well-known colour charts
Ventilation	installation also with air space
Protective film	the surface is provided with a protective film if required
Service hatch	see page 2
Loudspeaker	perforated cassette with ø3.5mm / 25% area
Edge lists	see "Lists-01" and "Lists-02"
Downlight unit	see page 2
Suspensions	see "Suspension systems for L-type cassettes"
Other special solutions	please contact our technical information department

- ① = RL-585; unperforated without acoustic inlay
- ② = RLR-585; perforated without acoustic inlay
- ③ = RLRT-585; perforated, with mineral wool in plastic
- ④ = RLT-585; unperforated, with mineral wool in plastic
- ⑤ = NL-585; fitting cassette NL-585 (0.7 Al)

Latest information: [www.lautex.com](http://www.lautex.com)

All products are subject to modifications without prior notice 2011

## MARINE CASSETTE LAUTEX RL-585 INSTALLATION DETAILS AND ACCESSORIES



### THEORETICAL NEED OF SUSPENSION STRUCTURES

Product	Need of material
Carrier No. 42	1.8 m/m <sup>2</sup>
L-list No. 50	0.8 - 1.4 m/m <sup>2</sup>
Z-list No. 51C	0.8 - 1.4 m/m <sup>2</sup>

### WEIGHT OF CEILING

Cassette	RL-585
Material	0.5 Steel
Weight	4.4 Kg/m <sup>2</sup>

### WEIGHT OF OTHER CEILING MATERIALS

Product	Weight of material
Carrier No. 42 (1.0 Steel)	0.83 kg/m
L-list No. 50 (1.0 Al)	0.21 kg/m
Z-list No. 51C (1.0 Al)	0.15 kg/m
Mineral wool in plastic	0.52 kg/m <sup>2</sup>

Latest information: [www.lautex.com](http://www.lautex.com)

All products are subject to modifications without prior notice 2011