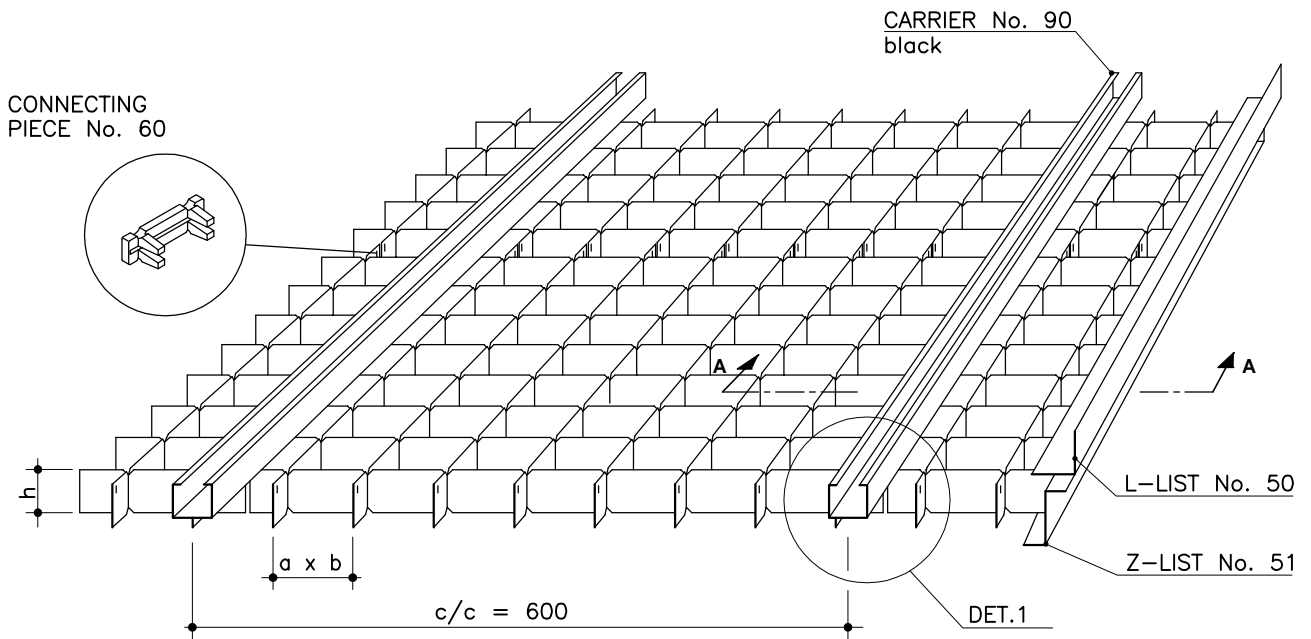
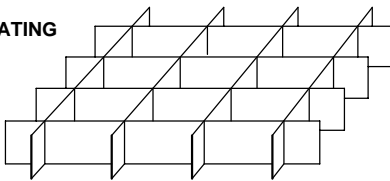


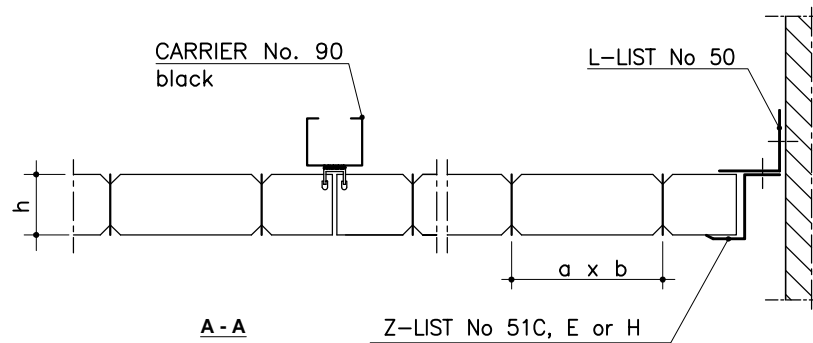
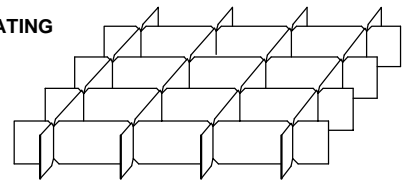
MARINE GRATING LAUTEX N AND NX



N-GRATING



NX-GRATING

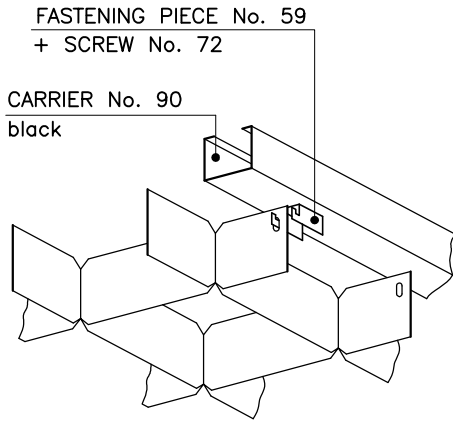


Material	0.7 Al				
Element size	600x600 or 600x1200				
Height h mm	25	35	35	50	50
Cell size a x b	25	37.5	50	50	75
Finish	stove enamelled (or anodized) according to LTX-colour card or any other well-known colour charts				
Downlights	see page 2				
Suspension	see page 2				
Edge lists	see "Lautex lists"				
Other special solutions	please contact our technical information department				

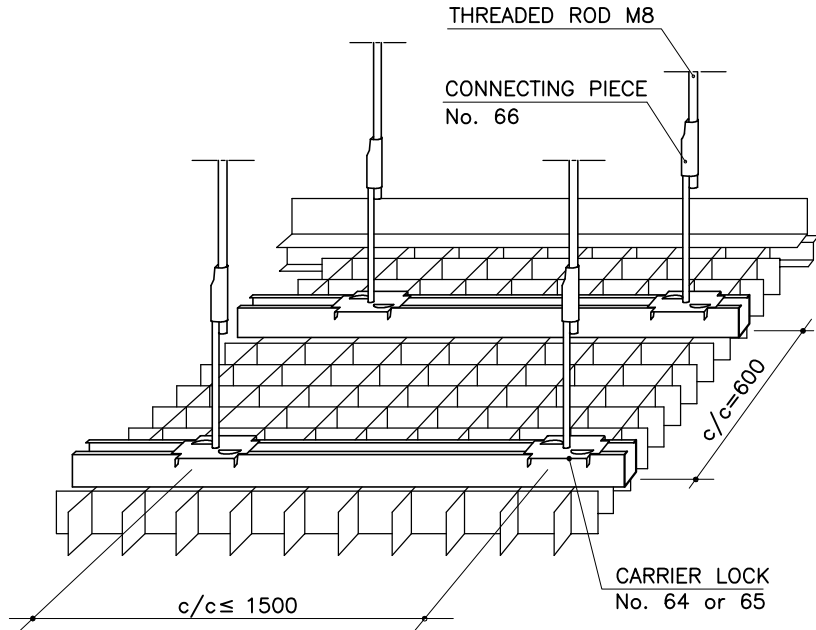
Latest information: www.lautex.com

All products are subject to modifications without prior notice 2011

MARINE GRATING LAUTEX N AND NX INSTALLATION DETAILS AND ACCESSORIES



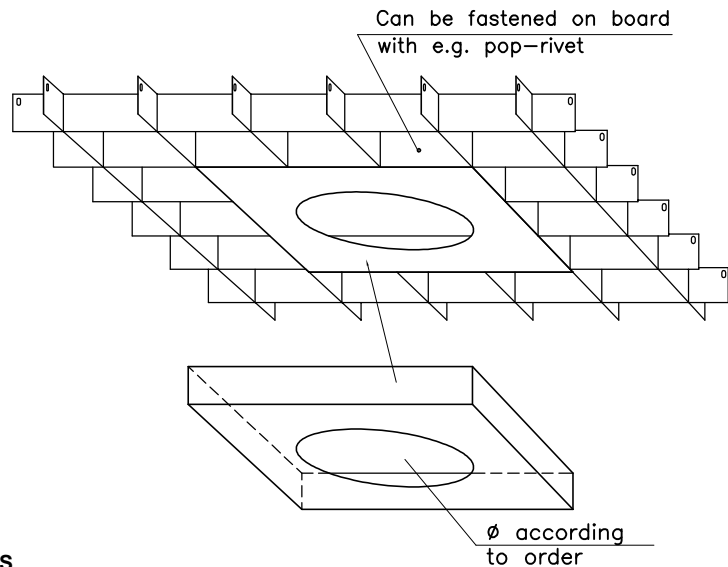
DET. 1



LOUDSPEAKER OR DOWNLIGHT UNIT

We produce the downlight units according to order. The size and construction of the downlight unit depends on the size of the luminaire, the cell size and grating type.

Finish: Stove enamelled (or anonized) in desired colour.



THEORETICAL NEED OF SUSPENSION STRUCTURES (Element size 600x600mm)

Product	Need of material
Carrier No. 90	1.6 m/m ²
Carrier locks	4 pcs/m ²
L-list No. 50	0.8 – 1.4 m/m ²
Z-list No. 51	0.8 – 1.4 m/m ²
Fastening piece No. 59	4 pcs/m ²
Screw No. 72	4 pcs/m ²
Connecting piece No. 60	11 pcs/m ²

WEIGHT OF GRATING

module size 600x600	N 50x50x50	NX 50x50x50
Material	0.7 Al	0.7 Al
Weight	0.4 kg/m ²	0.4 kg/m ²

WEIGHT OF OTHER CEILING MATERIALS

Product	Weight of material
Carrier No. 90 (1.0 Steel)	0.83 kg/m
Carrier locks	80 g/pcs
L-list No. 50 (1.0 Al)	0.21 kg/m
Z-list No. 51 (1.0 Al)	0.14 – 0.17 kg/m

Latest information: www.lautex.com

All products are subject to modifications without prior notice 2011