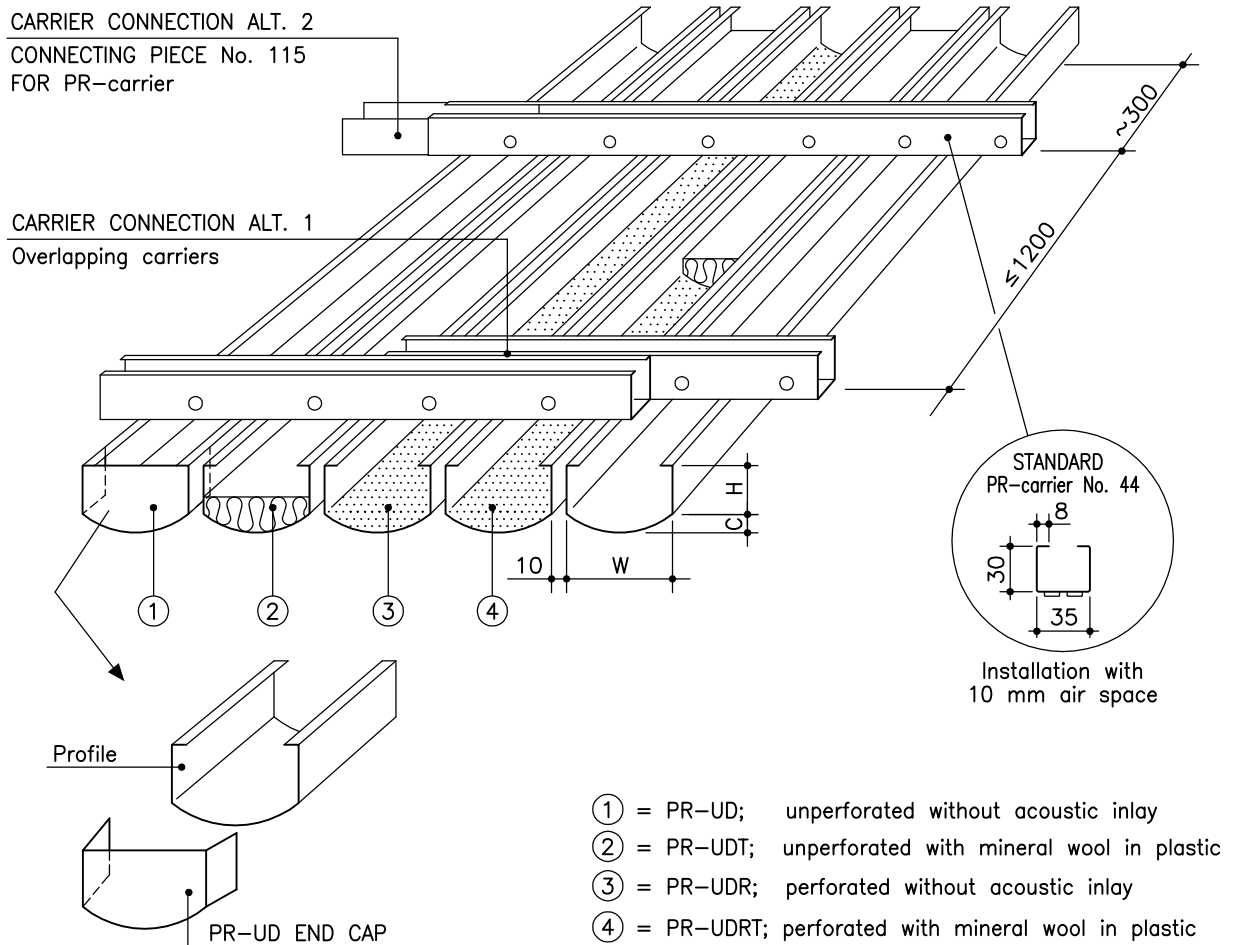


## MARINE PROFILE LAUTEX PR-UD



### PR-UD PROFILES / CLASSIFICATION "C"

Profile	H mm	W mm	C mm	length max. mm	material	carrier No. air space 10 mm
32x70x32	32	70	12	4000	0.7 Al	44E
35x110x35	35	110	20	4000	0.7 Al	44X
40x200x40	40	200	23	4000	0.7 Al	44X

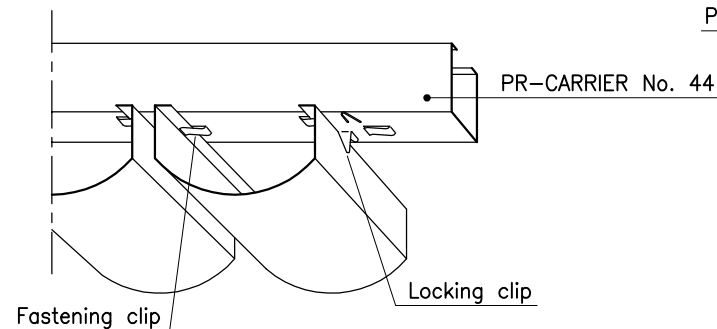
Perforation	$\varnothing 2.0$ mm
Air spaces	recommended air space = 10 mm also according to order, but $\geq 10$ mm
Inlay	mineral wool in plastic
Finish	stove enamelled (or anodized) according to LTX-colour card or any other well-known colour charts
Protective film	the surface is provided with a protective film if required
Loudspeaker profile	see page 2
Downlight unit	see page 2
Suspension	see "Suspension systems for profiles"
Edge lists	see "Lists-01" and "Lists-02"
Installation with PR-UC	see page 2
Diagonal installation	PR-carrier No. 39C...39X for diagonal installation in 45°, air space according to order but $\geq 10$ mm, see "Curved ceiling and diagonal installation"
Other special solutions	please contact our technical information department

Latest information: [www.lautex.com](http://www.lautex.com)

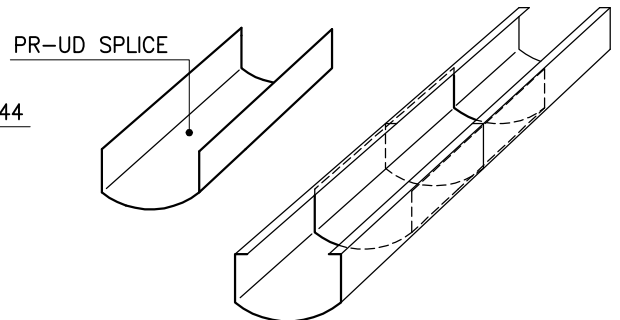
All products are subject to modifications without prior notice 2011

## MARINE PROFILE LAUTEX PR-UD INSTALLATION DETAILS AND ACCESSORIES

### INSTALLATION WITH AIR SPACE 10 MM

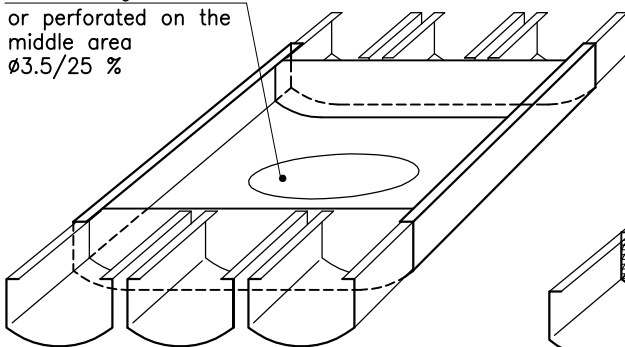


### SOLUTION OF PROFILE CONNECTION



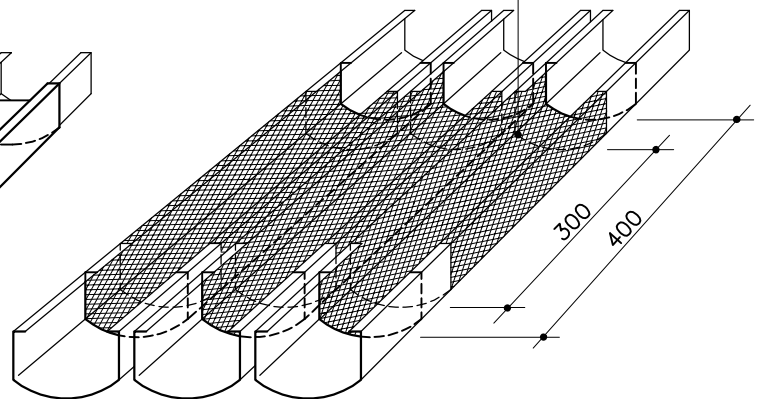
### DOWNLIGHT OR LOUDSPEAKER PROFILE

∅ According to order  
or perforated on the  
middle area  
∅3.5/25 %

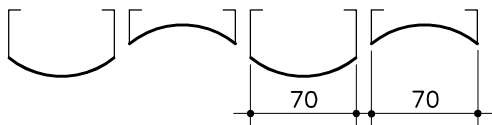


### LOUDSPEAKER PROFILE

EXPAMET NET PROFILE  
for PR-UD  
Open area 46 %

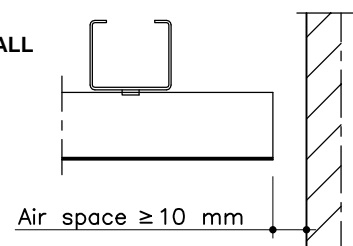


### COMBINATION CEILING PR-UC / PR-UD



By combining profiles PR-UD and PR-UC,  
it is possible to create an elegant wavy ceiling.

### CONNECTION TO WALL



### THEORETICAL NEED OF SUSPENSION STRUCTURES

Product	Need of material
Carrier No. 44	1.2 – 1.6 m/m <sup>2</sup>
Carrier lock	1 pcs / carrier meter

### WEIGHT OF PROFILES KG / M<sup>2</sup>

	PR-UD, 0.7 Al		
Width	70 mm	110 mm	200 mm
Weight	3.54	3.15	2.67

### WEIGHT OF OTHER CEILING MATERIALS

Product	Weight of material
Mineral wool in plastic	0.52 kg/m <sup>2</sup>
Carrier No. 44	0.83 kg/m
Carrier lock	0.08 kg/pcs

Latest information: [www.lautex.com](http://www.lautex.com)

All products are subject to modifications without prior notice 2011