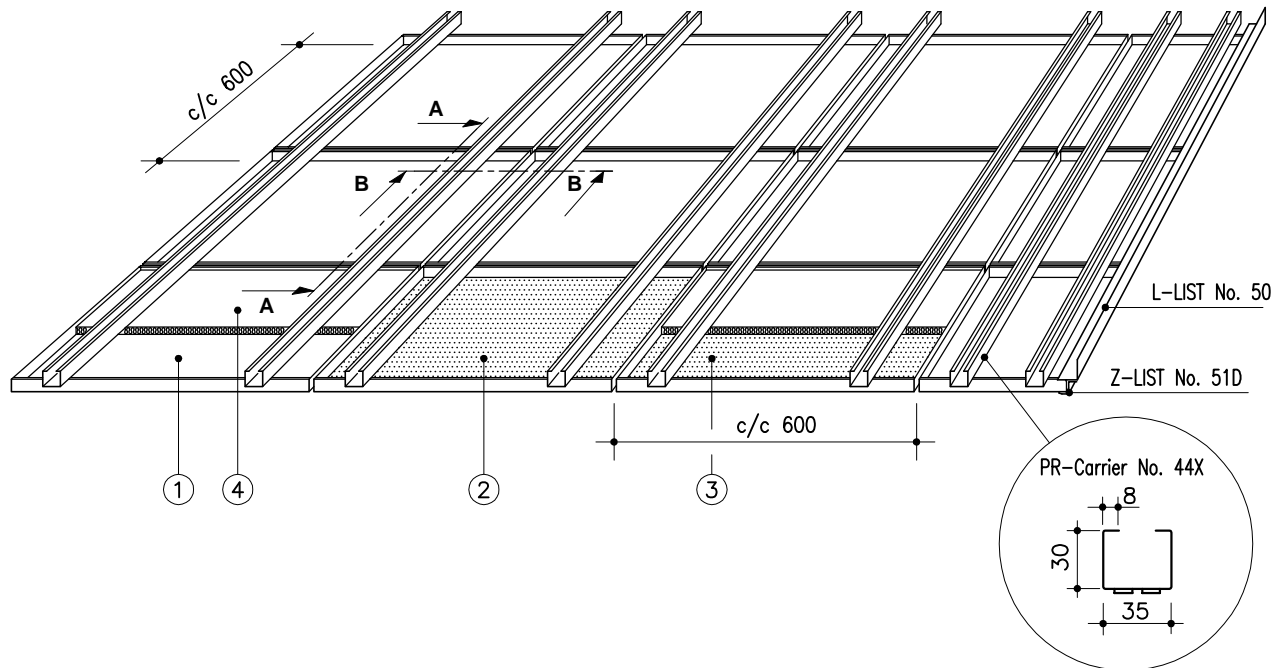
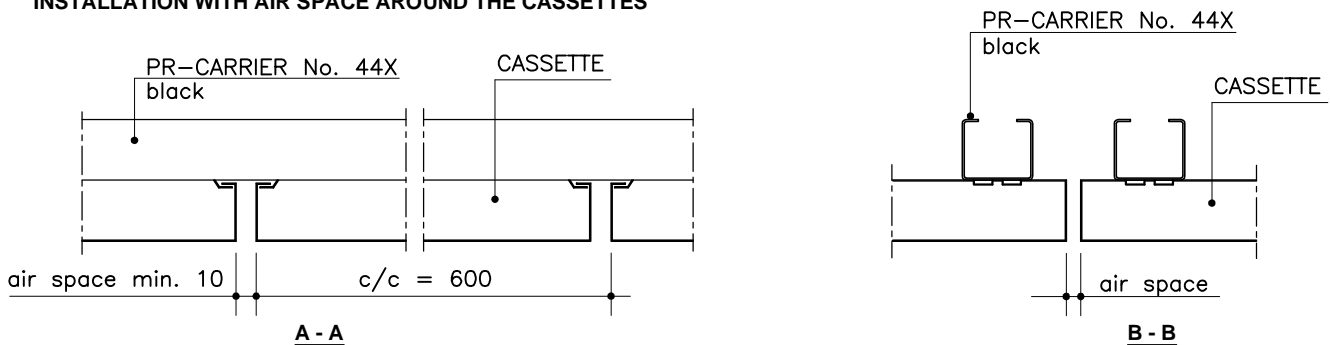


MARINE CASSETTE LAUTEX PR-U 600



INSTALLATION WITH AIR SPACE AROUND THE CASSETTES



PR-U 600 CASSETTES / CLASSIFICATION "C"

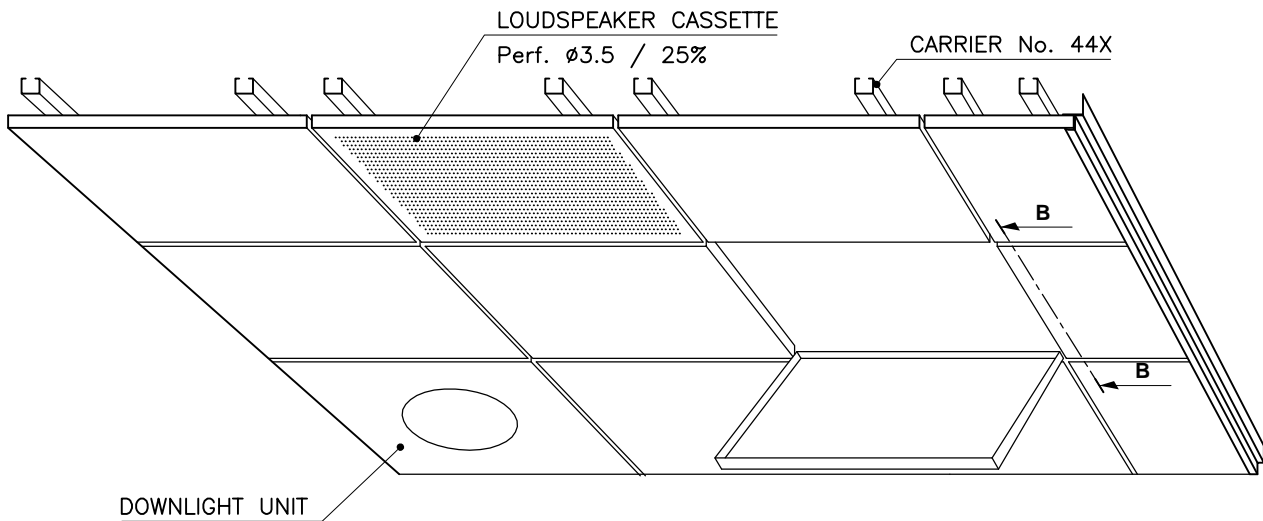
Material	0.7 Al (0.5 Steel)
Module	600x600 mm or according to order
Height	30 mm
Perforation	Ø2.0 mm or Ø3.5 mm
Inlay	mineral wool in plastic or acoustic felt
Finish	stove enamelled (or anodized aluminium) according to LTX-colour card or any other well-known colour charts
Ventilation	installation with air space
Protective film	the surface is provided with a protective film if required
Service hatch	see page 2
Loudspeaker	perforated cassette with Ø3.5mm / 25% area
Edge lists	see "Lists-01" and "Lists-02"
Suspensions	see "Suspensions systems for U-type cassettes"
downlight unit	see overleaf
Other special solutions	please contact our technical information department

- ① = PR-U 600; unperforated without acoustic inlay
- ② = PR-UR 600; perforated without acoustic inlay
- ③ = PR-URT 600; perforated, with mineral wool in plastic
- ④ = PR-UT 600; unperforated, with mineral wool in plastic

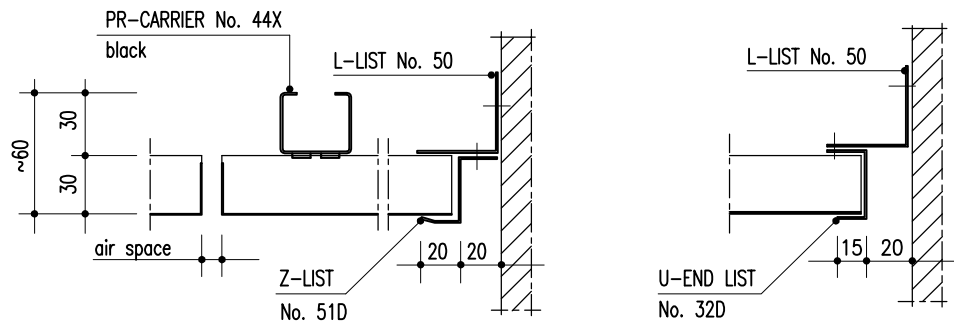
Latest information: www.lautex.com

All products are subject to modifications without prior notice 2011

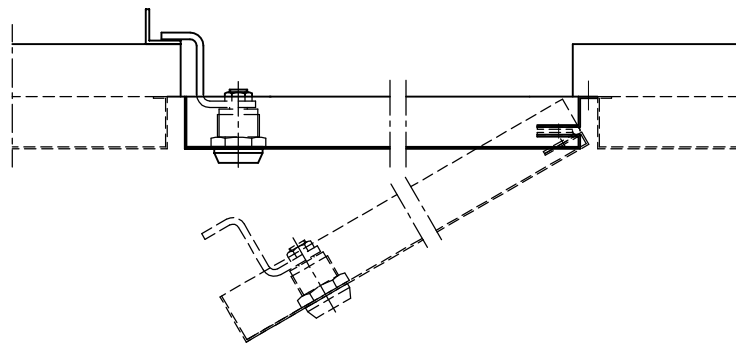
MARINE CASSETTE LAUTEX PR-U 600 INSTALLATION DETAILS AND ACCESSORIES



CONNECTION TO WALL



SECTION B - B, SERVICE HATCH



THEORETICAL NEED OF SUSPENSION STRUCTURES

Product	Need of material
Carrier No. 44X	3.3 m/m ²
L-list No. 50	0.8-1.4 m/m ²
Z-list No. 51D	0.8-1.4 m/m ²

WEIGHT OF CEILING

Cassette	PR-U 600	
Material	0.7 Al	0.5 Steel
Weight	2.2 Kg/m ²	4.5 Kg/m ²

WEIGHT OF OTHER CEILING MATERIALS

Product	Weight of material
Carrier No. 44X (1.0 Steel)	0.83 kg/m
L-list No. 50 (1.0 Al)	0.21 kg/m
Z-list No. 51D (1.0 Al)	0.18 kg/m
Mineral wool in plastic	0.52 kg/m ²

Latest information: www.lautex.com

All products are subject to modifications without prior notice 2011