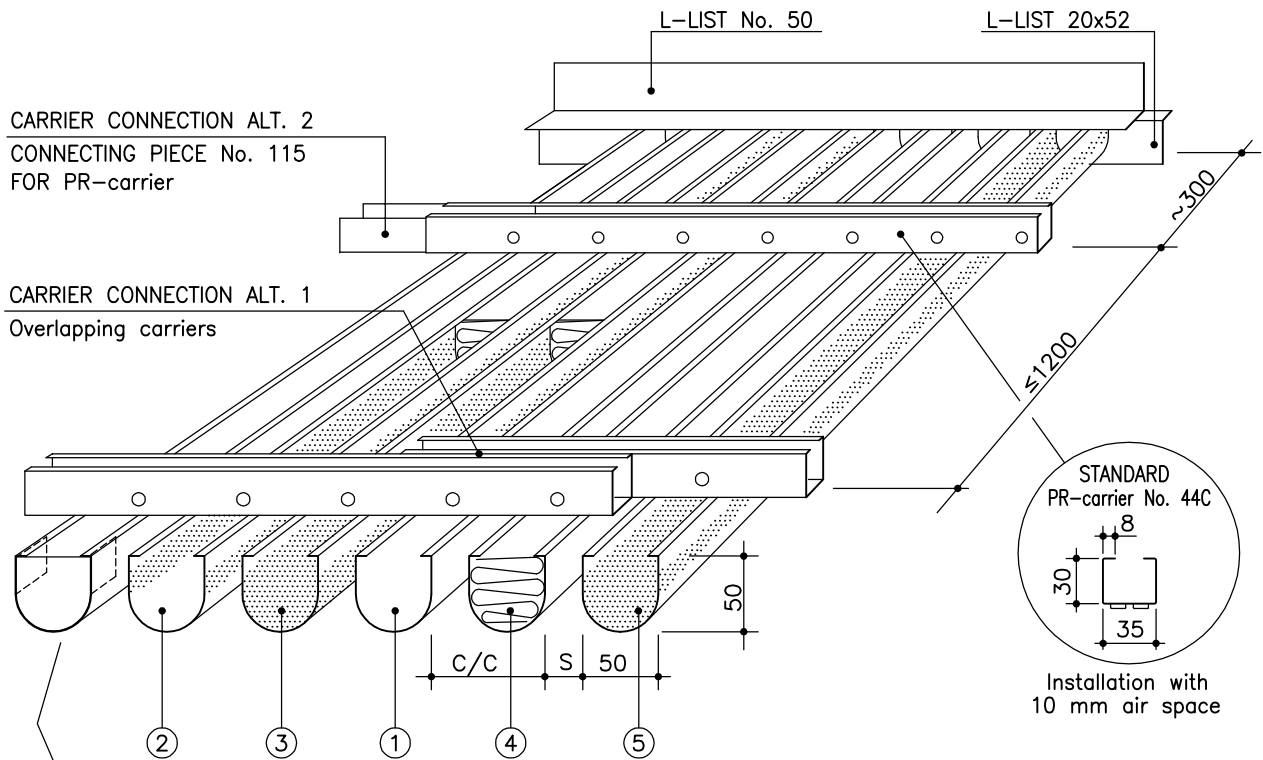


MARINE PROFILE LAUTEX PR-P



- ① = PR-P; unperforated without acoustic inlay
- ② = PR-PRT; perforated on the sides, with mineral wool in plastic
- ③ = PR-PRT; perforated on the whole area, with mineral wool in plastic
- ④ = PR-PT; unperforated with mineral wool in plastic
- ⑤ = PR-PR; perforated on the sides and/or on the whole area, without acoustic inlay

PR-P PROFILES / CLASSIFICATION "C"

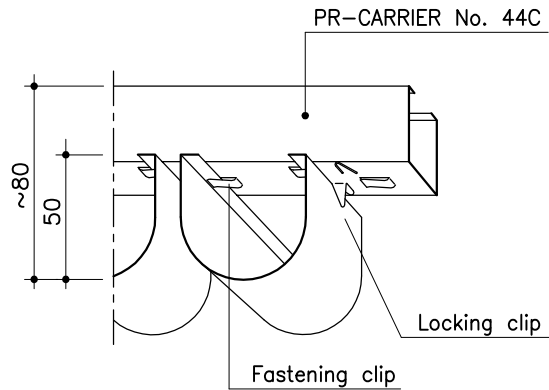
Material	0.7 Al	0.5 Steel
Width	50 mm	
Height	50 mm	
Length	max 6500 mm	
Air spaces	recommended air space = 10 mm also according to order, but ≥ 10 mm	
Perforation	\varnothing 2.0 mm (or \varnothing 1.1 mm only 0.7 Al)	
Inlay	mineral wool in plastic	
Finish	stove enamelled (or anodized) according to LTX-colour card or any other well-known colour charts	
Protective film	the surface is provided with a protective film if required	
Loudspeaker profile	see page 2	
Downlight unit	see page 2	
Curved ceilings	see "Curved ceiling and diagonal installation"	
Suspension	see "Suspension system for profiles"	
Edge lists	see "Lists-01" and "Lists-02"	
Diagonal installation	PR-carrier No. 39C for diagonal installation in 45°, air space according to order but ≥ 10 mm, see "Curved ceiling and diagonal installation"	
Other special solutions	please contact our technical information department	

Latest information: www.lautex.com

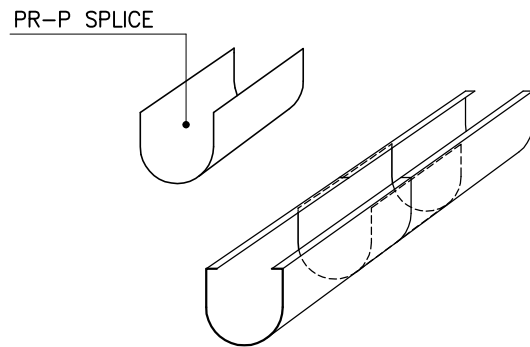
All products are subject to modifications without prior notice 2011

MARINE PROFILE LAUTEX PR-P INSTALLATION DETAILS AND ACCESSORIES

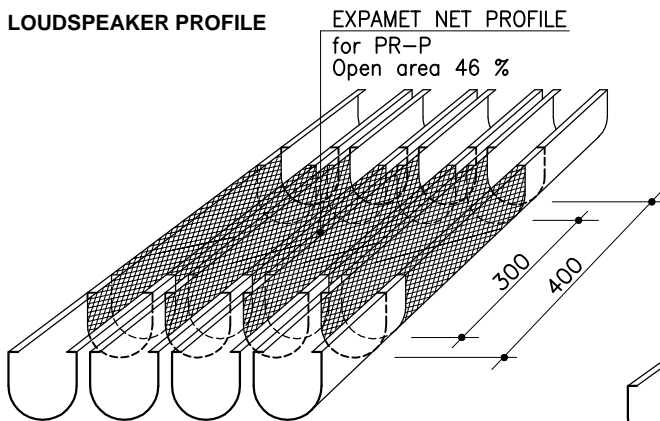
INSTALLATION WITH AIR SPACE 10 MM



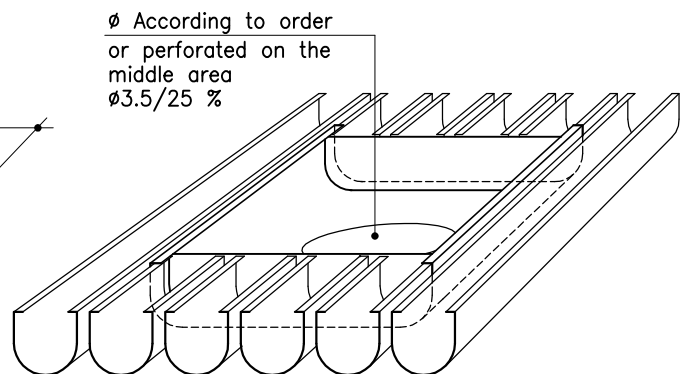
SOLUTION OF PROFILE CONNECTION



LOUDSPEAKER PROFILE



DOWNLIGHT OR LOUDSPEAKER PROFILE



SOLUTIONS OF PROFILE CONNECTION TO WALL



THEORETICAL NEED OF SUSPENSION STRUCTURES

Product	Need of material
Carrier No. 44C	1.2 – 1.6 m/m ²
Carrier lock	1 pcs / carrier meter
L-list No. 50	0.8 – 1.4 m/m ²
L-list 20x52	0.8 – 1.4 m/m ²

WEIGHT OF PROFILES KG / M²

	PR-P	
Material	0.7 Al	0.5 Steel
Weight	4.41	9.33

WEIGHT OF OTHER CEILING MATERIALS

Product	Weight of material
Mineral wool in plastic	0.52 kg/m ²
Carrier No. 44C, 39C	0.83 kg/m
Carrier lock	0.08 kg/pcs
L-list No. 50 (1.0 AL)	0.21 kg/pcs
L-list 20x52 (1.0 AL)	0.19 kg/pcs

Latest information: www.lautex.com

All products are subject to modifications without prior notice 2011