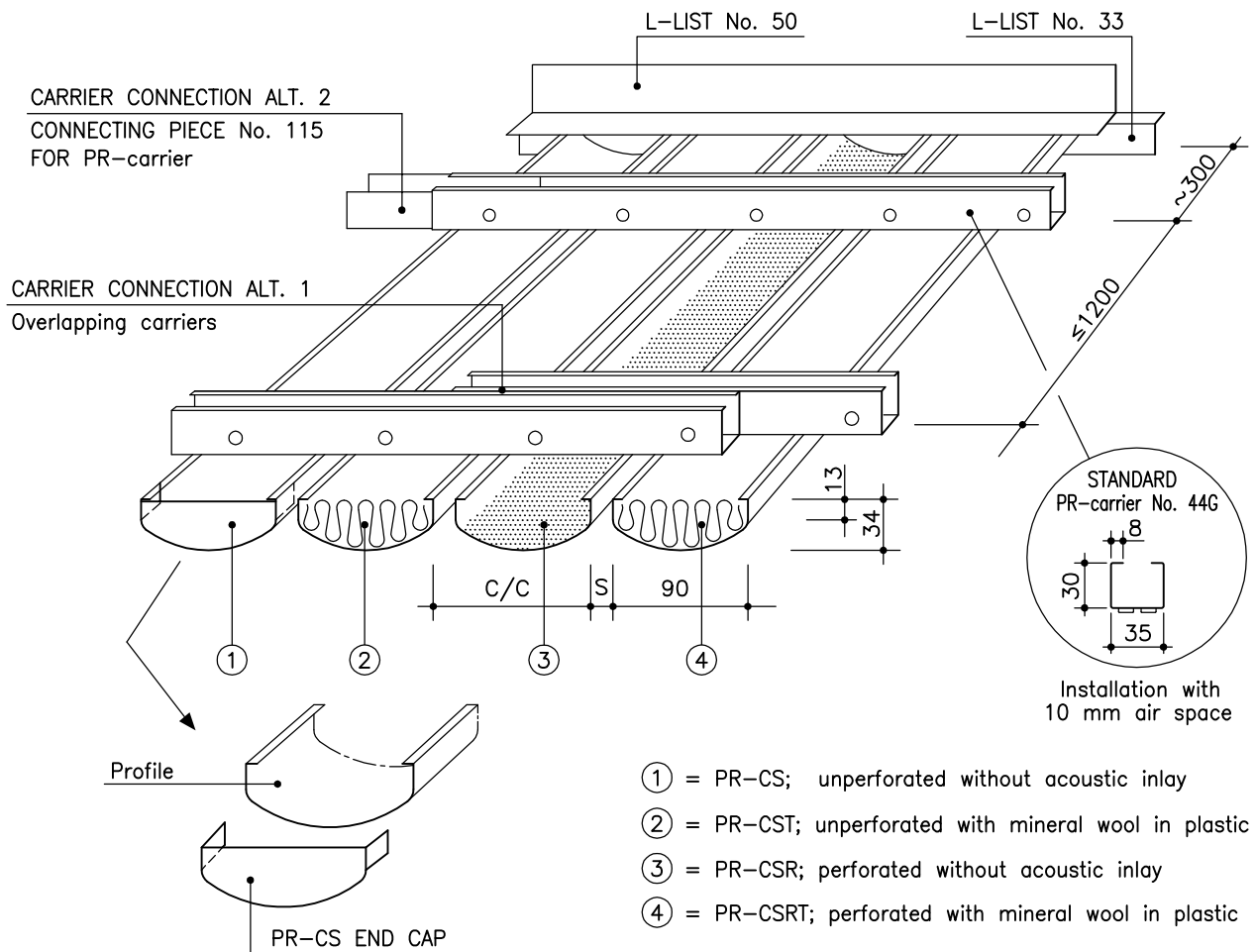


MARINE PROFILE LAUTEX PR-CS



PR-CS PROFILES / CLASSIFICATION "C"

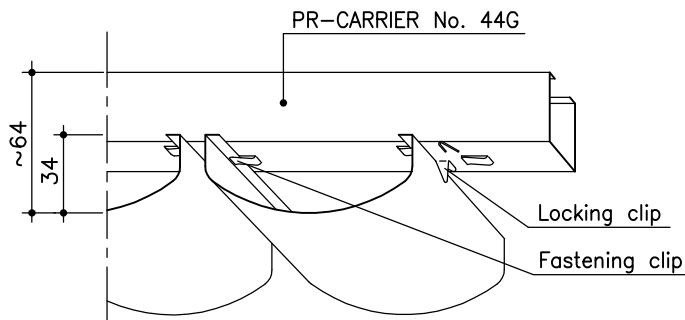
Material	0.5 Al 0.7 Al 0.5 Steel
Width	90 mm
Height	34 mm
Length	max 6500 mm
Air spaces	recommended air space = 10 mm also according to order, but ≥ 10 mm
Perforation	$\varnothing 2.0$ mm, other alternatives see "Perforations"
Inlay	mineral wool in plastic
Finish	stove enamelled (or anodized) according to LTX-colour card or any other well-known colour charts
Protective film	the surface is provided with a protective film if required
Service hatch	see page 2
Loudspeaker profile	see page 2
Downlight unit	see page 2
Curved ceilings	see "Curved ceiling and diagonal installation"
Suspension	see "Suspension systems for profiles"
Edge lists	see "Lists-01" and "Lists-02"
Diagonal installation	PR-carrier No. 39G for diagonal installation in 45°, air space according to order but ≥ 10 mm. see "Curved ceiling and diagonal installation"
Other special solutions	please contact our technical information department

Latest information: www.lautex.com

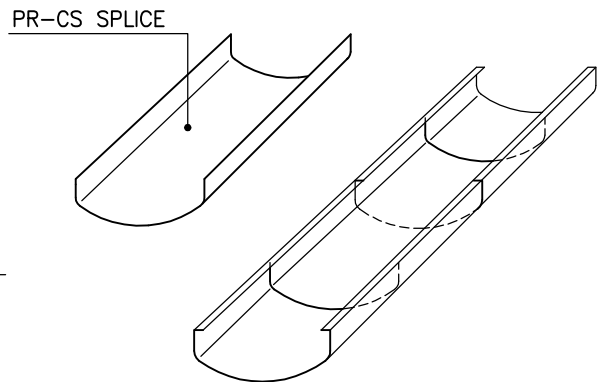
All products are subject to modifications without prior notice 2011

MARINE PROFILE LAUTEX PR-CS INSTALLATION DETAILS AND ACCESSORIES

INSTALLATION WITH AIR SPACE 10 MM

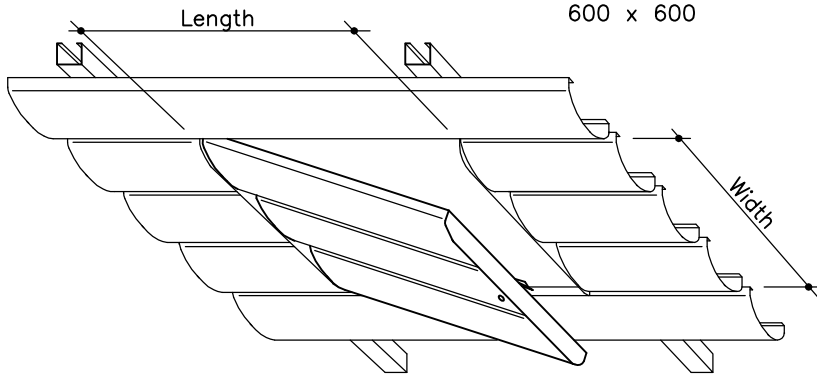


SOLUTION OF PROFILE CONNECTION

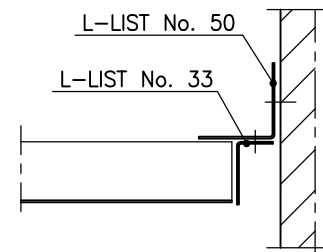


SERVICE HATCH

Length and width =
Opening in the ceiling
Standard sizes: 300 x 300
600 x 600

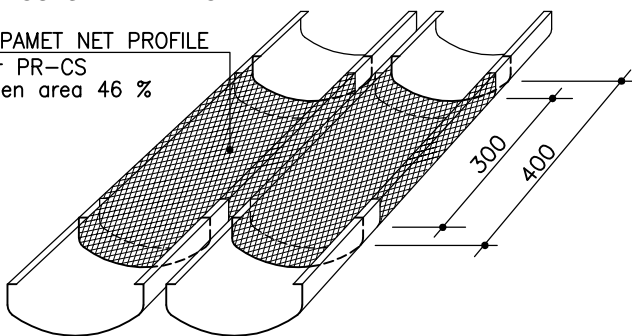


CONNECTION TO WALL



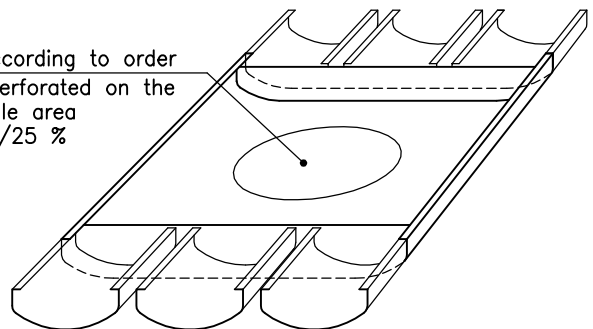
LOUDSPEAKER PROFILE

EXPAMET NET PROFILE
for PR-CS
Open area 46 %



DOWNLIGHT OR LOUDSPEAKER PROFILE

Ø According to order
or perforated on the
middle area
Ø3.5/25 %



THEORETICAL NEED OF SUSPENSION STRUCTURES

Product	Need of material
Carrier No. 44G	1.2 – 1.6 m/m ²
Carrier lock	1 pcs / carrier meter
L-list No. 50	0.8 – 1.4 m/m ²
L-list No. 33	0.8 – 1.4 m/m ²

WEIGHT OF PROFILES KG / M²

	PR-CS		
Material	0.5 Al	0.7 Al	0.5 Steel
Weight	1.89	2.65	5.60

WEIGHT OF OTHER CEILING MATERIALS

Product	Weight of material
Mineral wool in plastic	0.52 kg/m ²
Carrier No. 44G	0.83 kg/m
Carrier lock	0.08 kg/pcs
L-list No. 50 (1.0 Al)	0.21 kg/m
L-list No. 33 (1.0 Al)	0.13 kg/pcs

Latest information: www.lautex.com

All products are subject to modifications without prior notice 2011