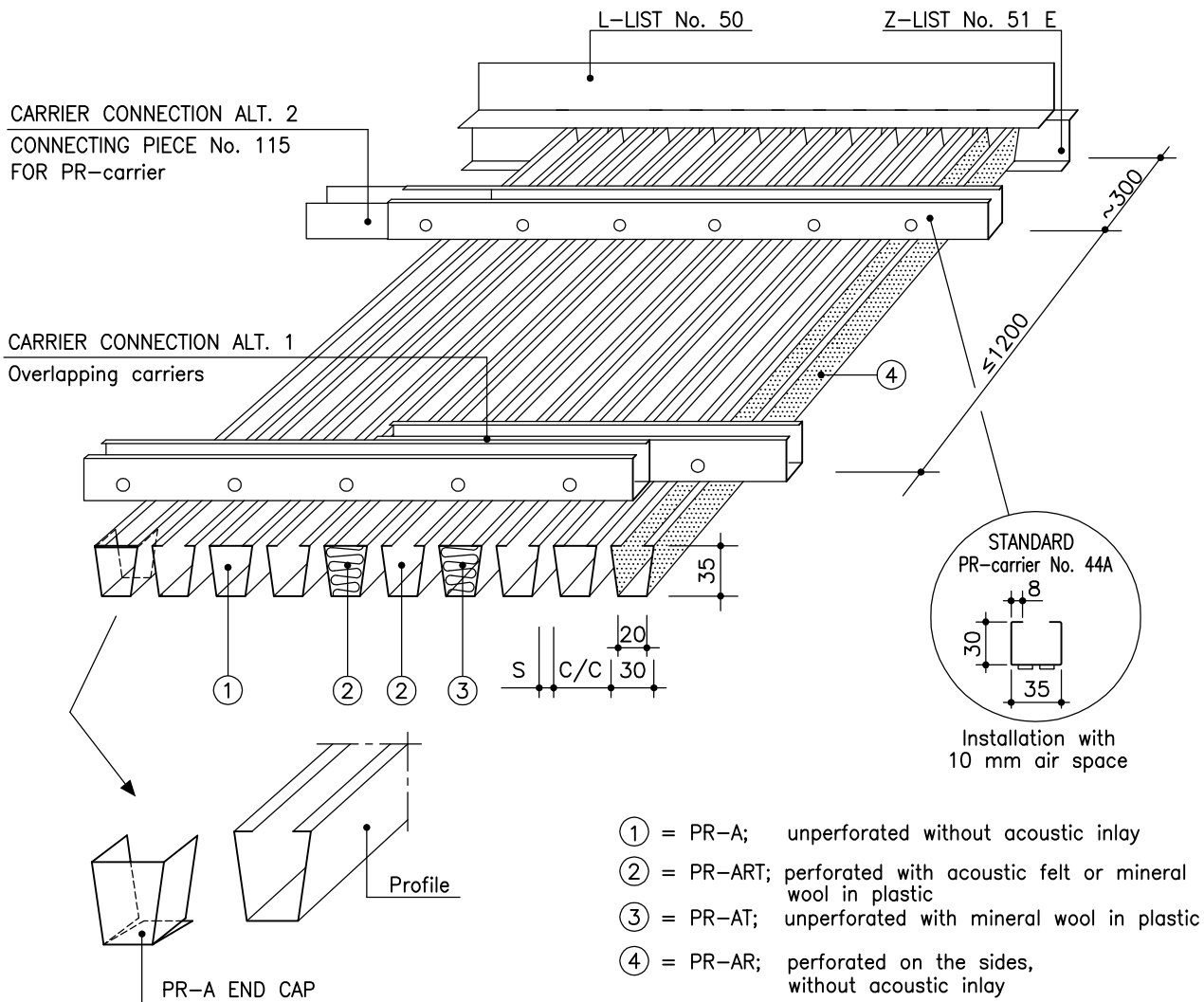


MARINE PROFILE LAUTEX PR-A



PR-A PROFILES / CLASSIFICATION "C"

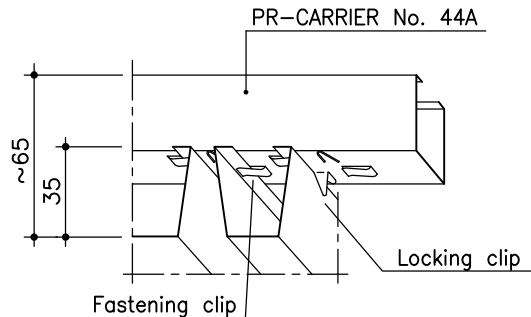
Material	0.4 Al
Width	20 / 30 mm
Height	35 mm
Length	max 5000 mm
Air spaces	recommended air space = 10 mm also according to order, but ≥ 10 mm
Perforation	\varnothing 2.0 mm, other alternatives see page 6/12
Inlay	mineral wool in plastic
Finish	stove enamelled (or anodized) according to LTX-colour card or any other well-known colour charts
Protective film	the surface is provided with a protective film if required
Loudspeaker profile	see page 2
Downlight unit	see page 2
Curved ceilings	see "Curved ceilings and diagonal installation"
Suspension	see "Suspension systems for profiles"
Edge lists	see "Lists-01" and "Lists-02"
Other special solutions	please contact our technical information department

Latest information: www.lautex.com

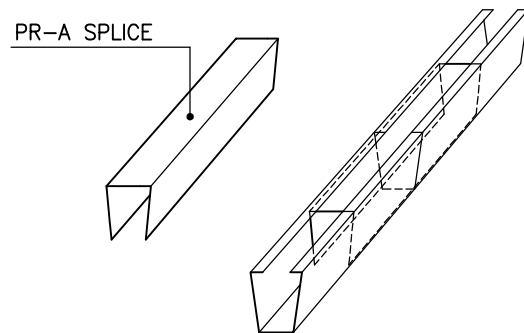
All products are subject to modifications without prior notice 2011

MARINE PROFILE LAUTEX PR-A INSTALLATION DETAILS AND ACCESSORIES

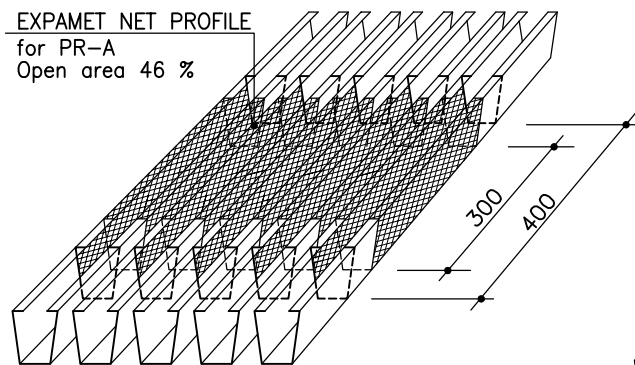
INSTALLATION WITH AIR SPACE 10 MM



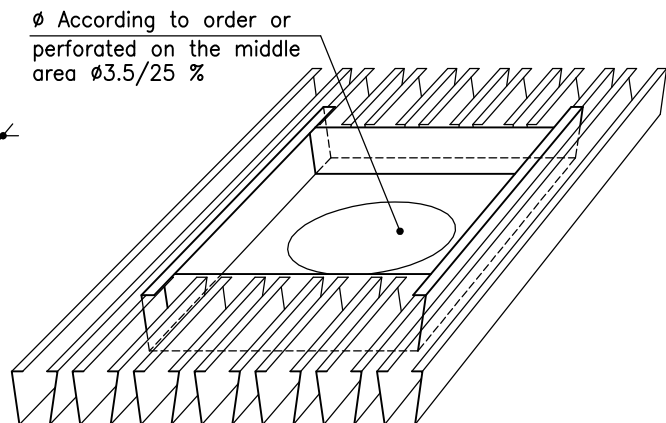
SOLUTION OF PROFILE CONNECTION



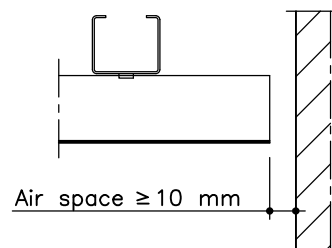
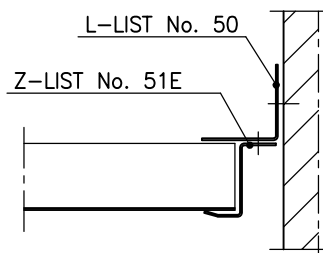
LOUDSPEAKER PROFILE



DOWNLIGHT OR LOUDSPEAKER PROFILE



SOLUTIONS OF PROFILE CONNECTION TO WALL



THEORETICAL NEED OF SUSPENSION STRUCTURES

Product	Need of material
Carrier No. 44A	1.2 – 1.6 m/m ²
Carrier lock	1 pcs / carrier meter
L-list No. 50	0.8 – 1.4 m/m ²
Z-list No. 51E	0.8 – 1.4 m/m ²

WEIGHT OF PROFILES KG / M²

PR-A	
Material	0.4 Al
Weight	2.70

WEIGHT OF OTHER CEILING MATERIALS

Product	Weight of material
Mineral wool in plastic	0.52 kg/m ²
Carrier No. 44A	0.83 kg/m
Carrier lock	0.08 kg/pcs
L-list No. 50 (1.0 Al)	0.21 kg/m
Z-list No. 51E (1.0 Al)	0.17 kg/pcs

Latest information: www.lautex.com

All products are subject to modifications without prior notice 2011