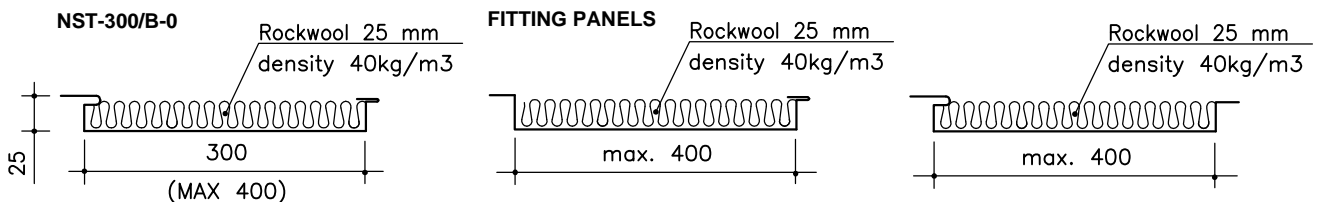
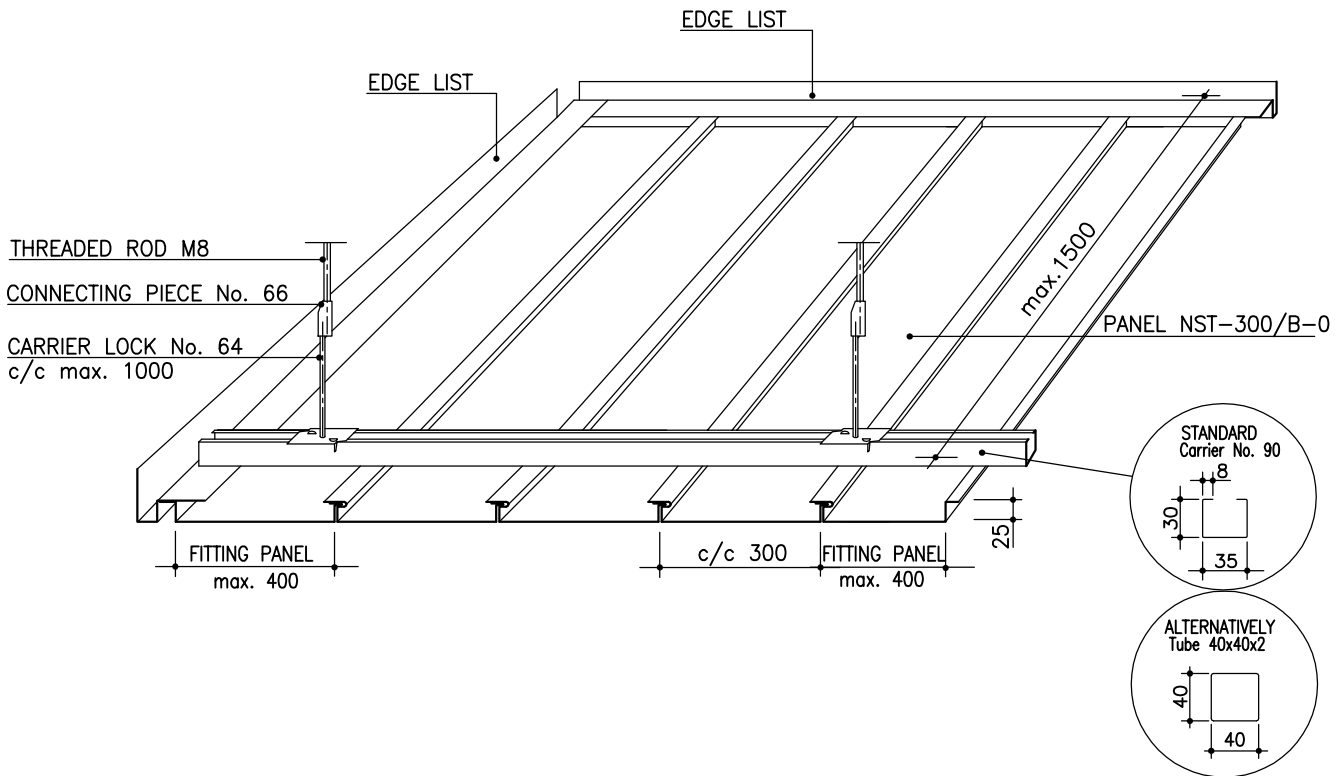


MARINE PANEL LAUTEX NST-300 / B-0 / A-15 DECK



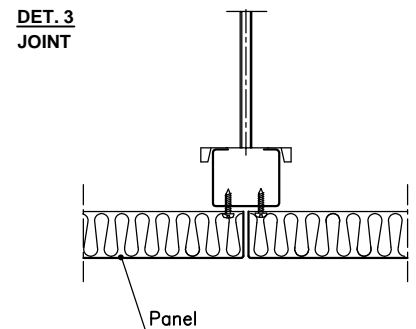
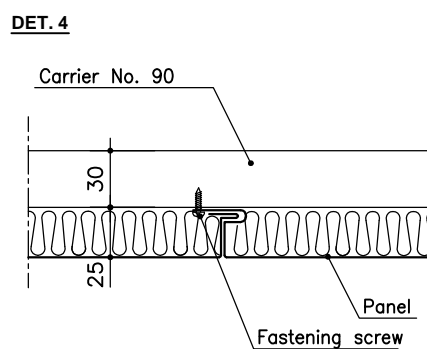
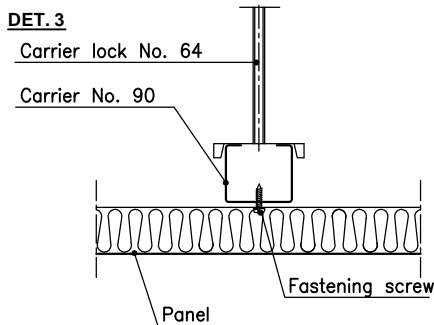
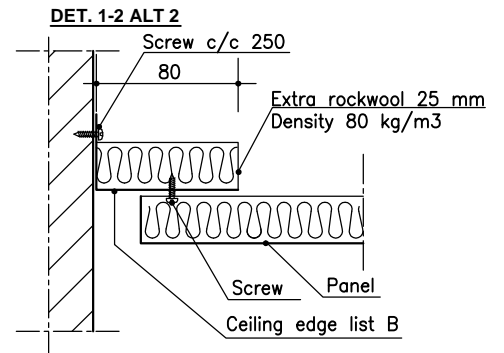
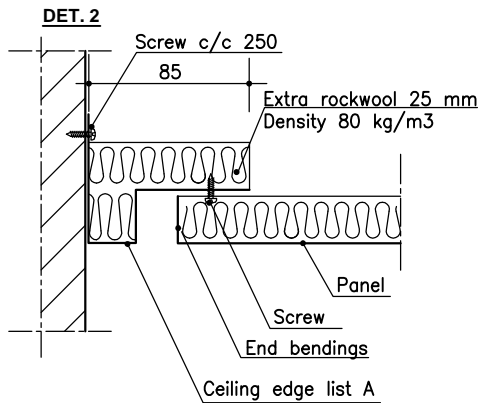
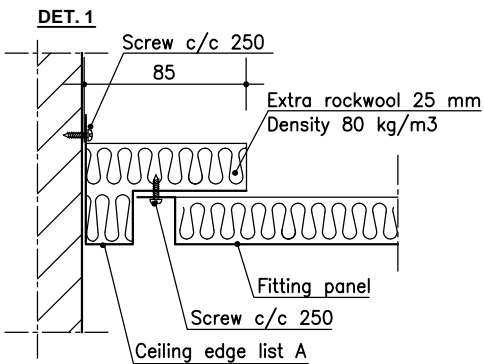
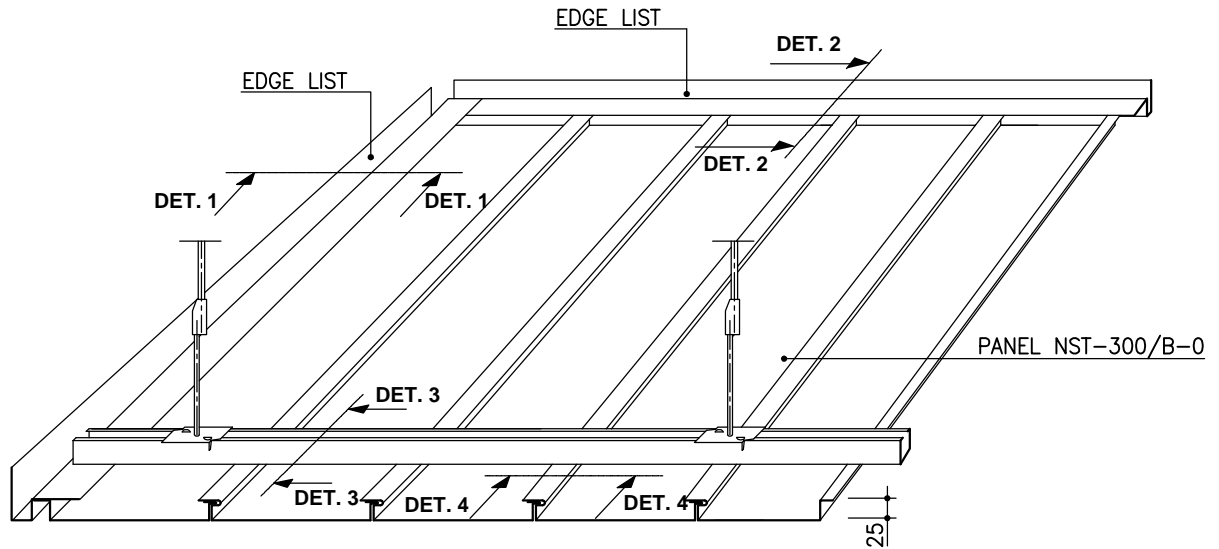
NST-300 PANELS / CLASSIFICATION "B-0"

Material	0.6 Steel
Width	300 mm
Height	25 mm
Length	max 6500 mm
Insulation	rockwool, density 40 kg/m ³ , s=25
Extra rockwool	rockwool, density 80 kg/m ³ , s=25
Finish	stove enamelled (or anodized) according to LTX-colour card or any other well-known colour charts
Protective film	the surface is provided with a protective film if required
End bendings	standard for straight cut ends
Other special solutions	please contact our technical information department

Latest information: www.lautex.com

All products are subject to modifications without prior notice 2011

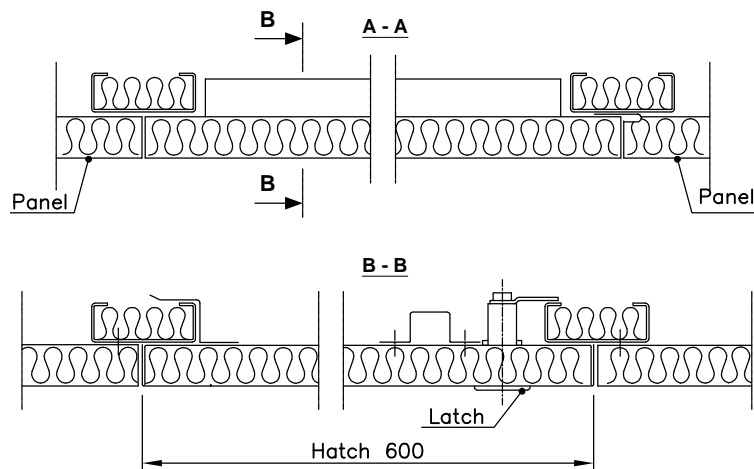
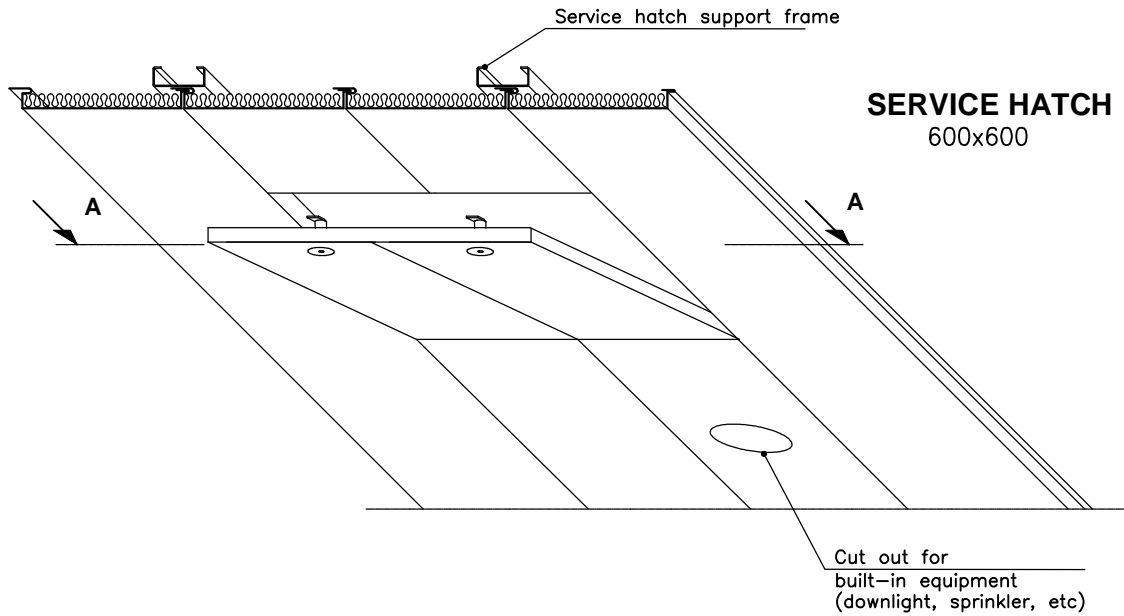
MARINE PANEL LAUTEX NST-300 / B-0 / A-15 DECK



Latest information: www.lautex.com

All products are subject to modifications without prior notice 2011

MARINE PANEL LAUTEX NST-300 / B-0 / A-15 DECK

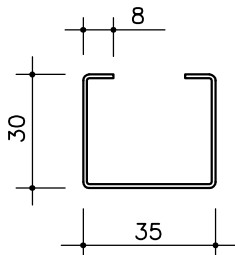


Latest information: www.lautex.com

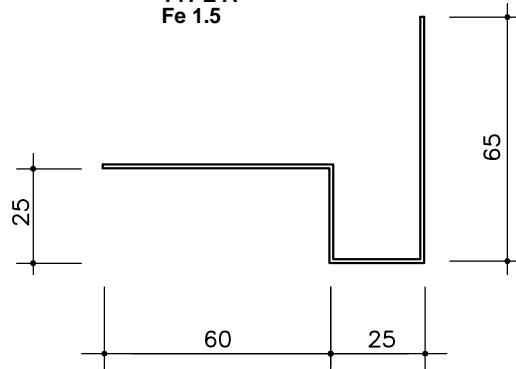
All products are subject to modifications without prior notice 2011

MARINE PANEL LAUTEX NST-300 / B-0 ACCESSORIES

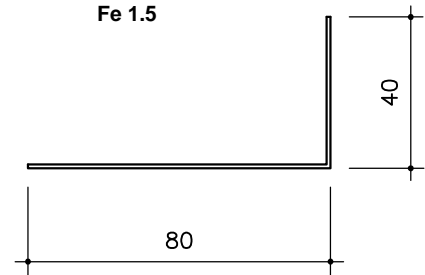
No. 90 CARRIER



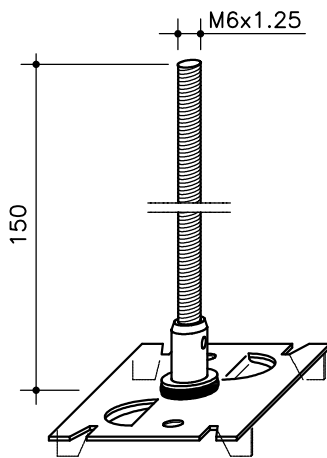
CEILING EDGE LIST
TYPE A
Fe 1.5



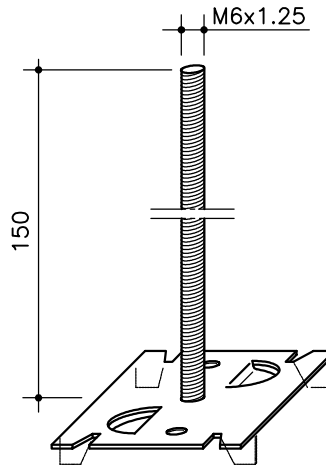
CEILING EDGE LIST
TYPE B
Fe 1.5



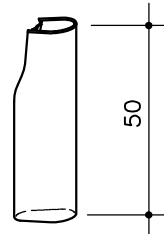
No. 65. CARRIER LOCK
VIBRATION INSULATED



No. 64. CARRIER LOCK



No. 66. CONNECTING PIECE



THEORETICAL NEED OF SUSPENSION STRUCTURES

Product	Need of material
Carrier No. 90	1.0 - 0.7 m/m ²
Carrier lock	1 pcs / carrier meter
Ceiling edge list	0.8 - 1.4 m/m
Screw 4.2x13 No.75	~8 pcs/m ²

WEIGHT OF PANELS KG / M²

	NST-300/B-0
Material	0.6 steel
Weight	7.64

WEIGHT OF OTHER CEILING MATERIALS

Extra rockwool, density 80 kg/m ³	2.0 kg/m ²
Carrier No. 90	0.83 kg/m
Carrier lock	0.08 kg/pcs

Latest information: www.lautex.com

All products are subject to modifications without prior notice 2011