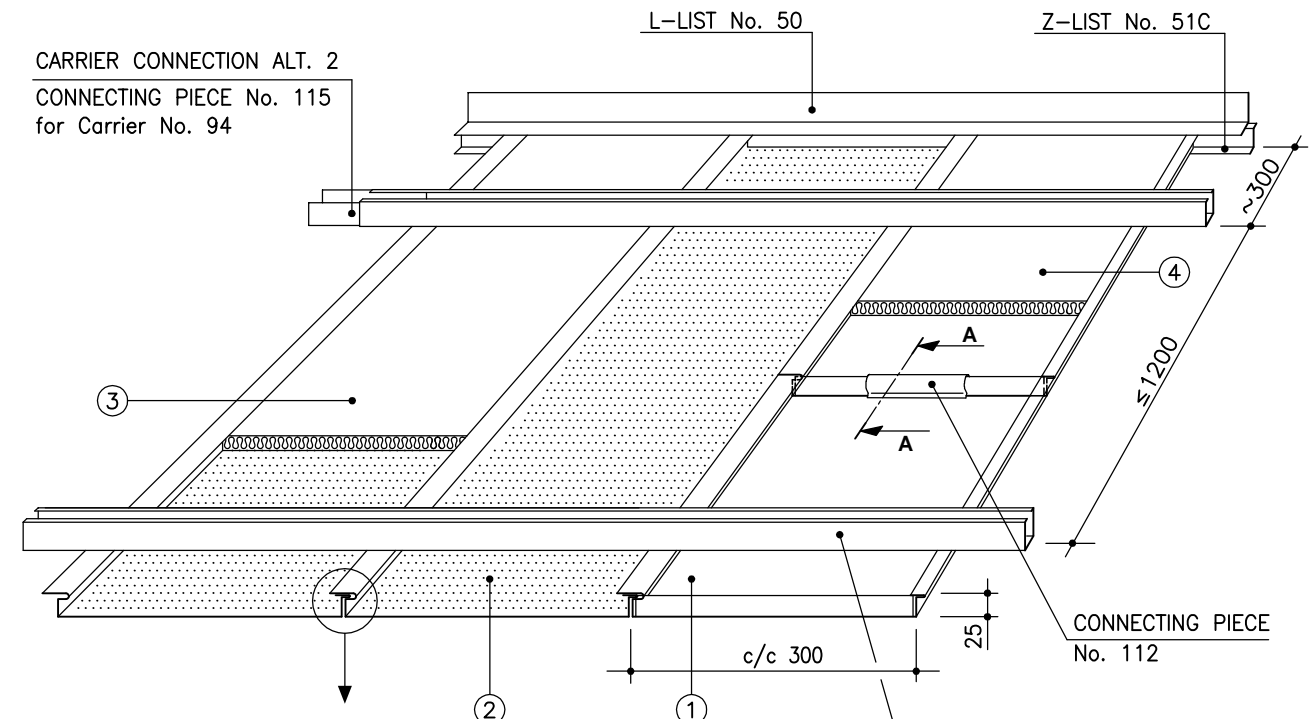
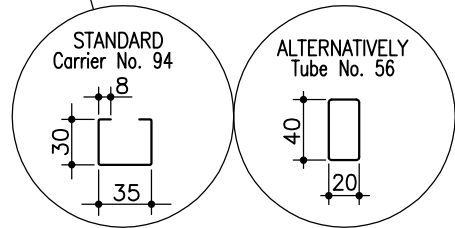
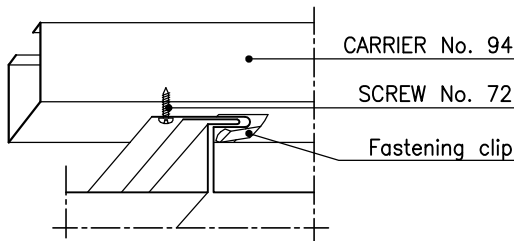
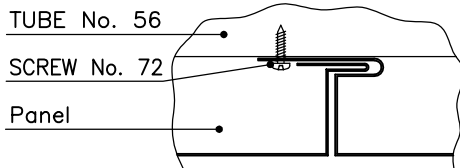


MARINE PANEL LAUTEX NS-300



INSTALLATION WITH TUBE OR CARRIER



- ① = NS; unperforated without acoustic inlay
- ② = NSR; perforated on the bottom
- ③ = NSRT; perforated and mineral wool in plastic
- ④ = NST; unperforated and mineral wool in plastic

NS-300 PANELS / CLASSIFICATION "C"

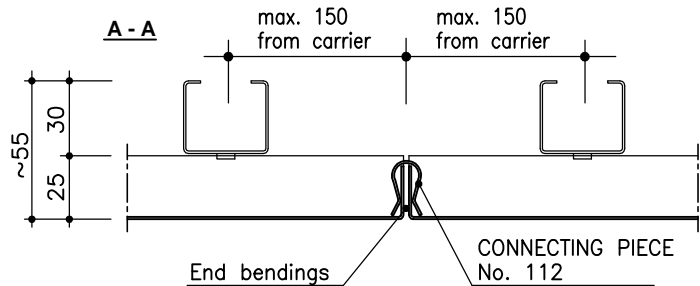
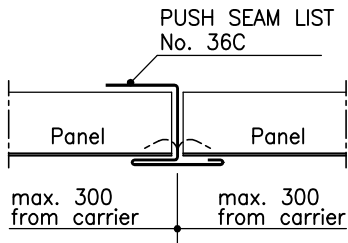
Material	0.6 Steel 0.7 Al
Width	300 mm
Height	25 mm
Length	max 4000 mm
Perforation	please contact our technical information department
Inlay	mineral wool in plastic
Finish	stove enamelled (or anodized) according to LTX-colour card or any other well-known colour charts
Protective film	the surface is provided with a protective film if required
End bendings	standard for straight cut ends
Service hatch	see page 2
Loudspeaker panel	see page 2
Downlight unit	see page 2
Suspension	see "Suspension systems for panels"
Edge lists	see "Lists for panels"
Other special solutions	please contact our technical information department

Latest information: www.lautex.com

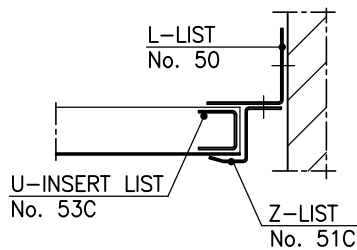
All products are subject to modifications without prior notice 2011

MARINE PANEL LAUTEX NS-300 INSTALLATION DETAILS AND ACCESSORIES

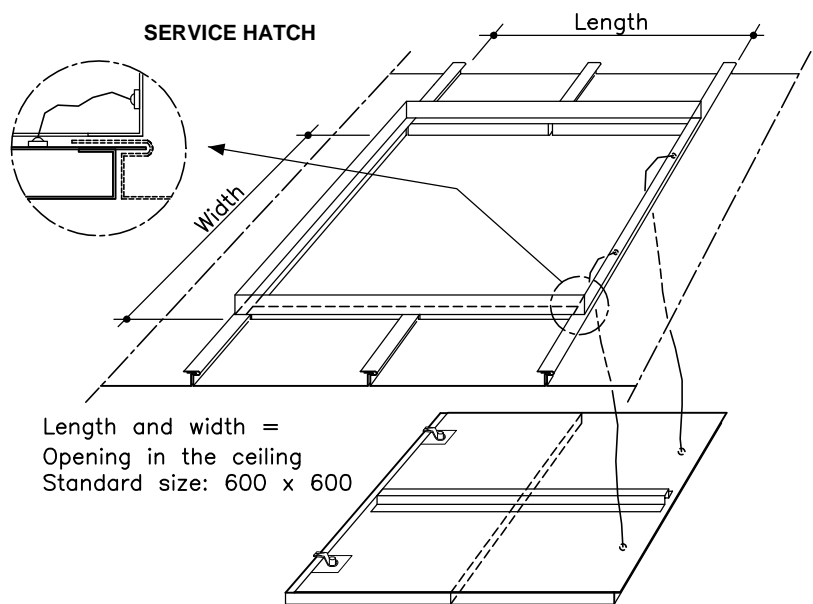
SOLUTIONS OF PANEL CONNECTION



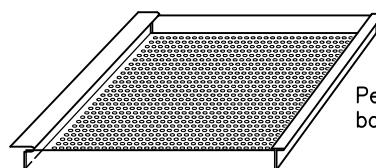
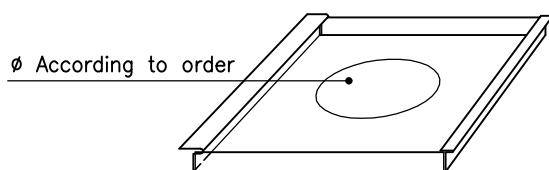
CONNECTION TO WALL



SERVICE HATCH



LOUDSPEAKER OR DOWNLIGHT PANEL



THEORETICAL NEED OF SUSPENSION STRUCTURES

Product	Need of material
Carrier No. 94	1.2 - 1.6 m/m ²
Tube No. 56	1.2 - 1.6 m/m ²
Carrier lock	1 pcs / carrier meter
L-list No. 50	0.8 - 1.4 m/m ²
Z-list No. 51C	0.8 - 1.4 m/m ²
U-insert list No. 53C	0.8 - 1.4 m/m ²

WEIGHT OF PANELS KG / M²

	NS-300	
Material	0.7 Al	0.6 Steel
Weight	2.61	6.64

WEIGHT OF OTHER CEILING MATERIALS

Product	Weight of material
Mineral wool in plastic	0.52 kg/m ²
Carrier No. 94	0.83 kg/m
Support tube 40x20	1.37 kg/m
Carrier lock	0.08 kg/pcs
L-list No. 50 (1.0 Al)	0.21 kg/m
Z-list No. 51C (1.0 Al)	0.16 kg/m
U-insert list No. 53C (0.7 Al)	0.12 kg/m

Latest information: www.lautex.com

All products are subject to modifications without prior notice 2011