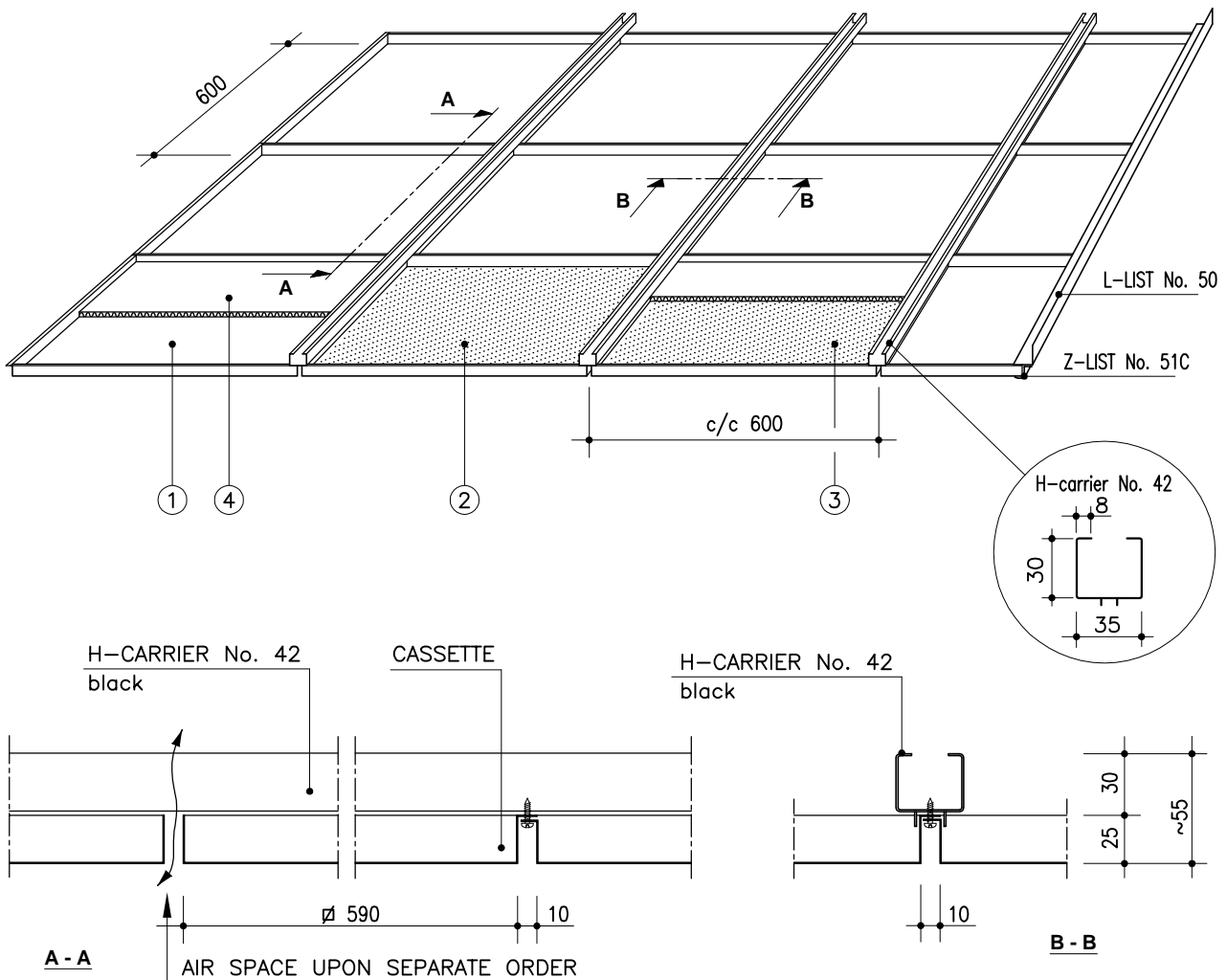


## MARINE CASSETTE LAUTEX NL-600



### NL-600 CASSETTES / CLASSIFICATION "C"

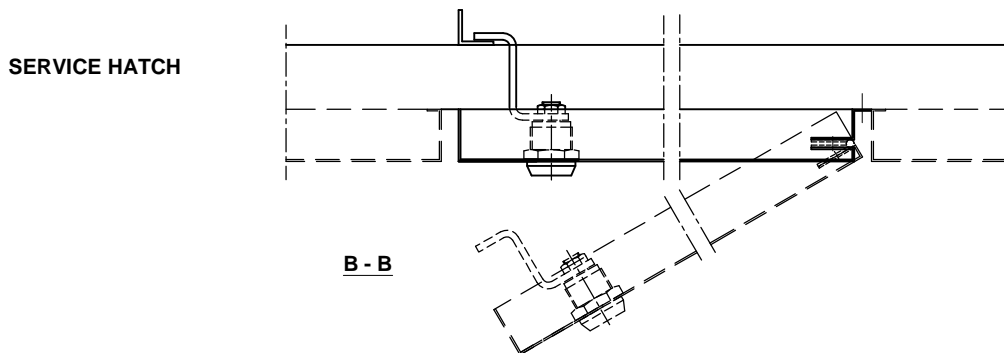
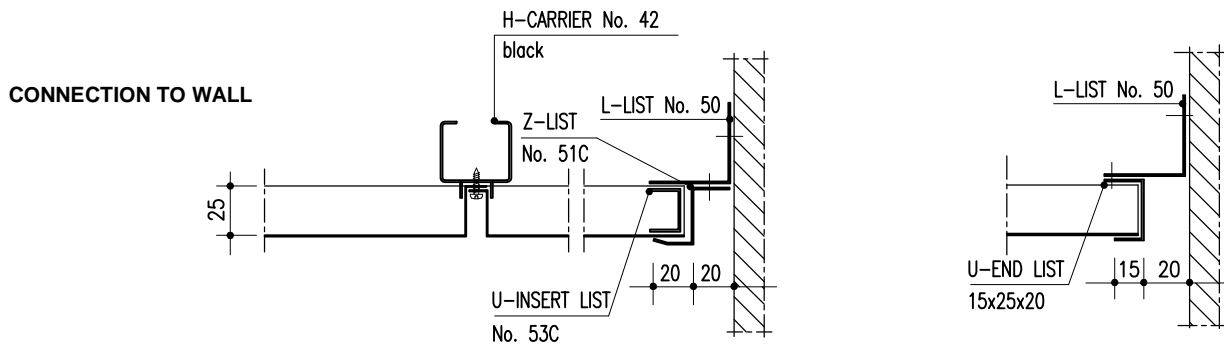
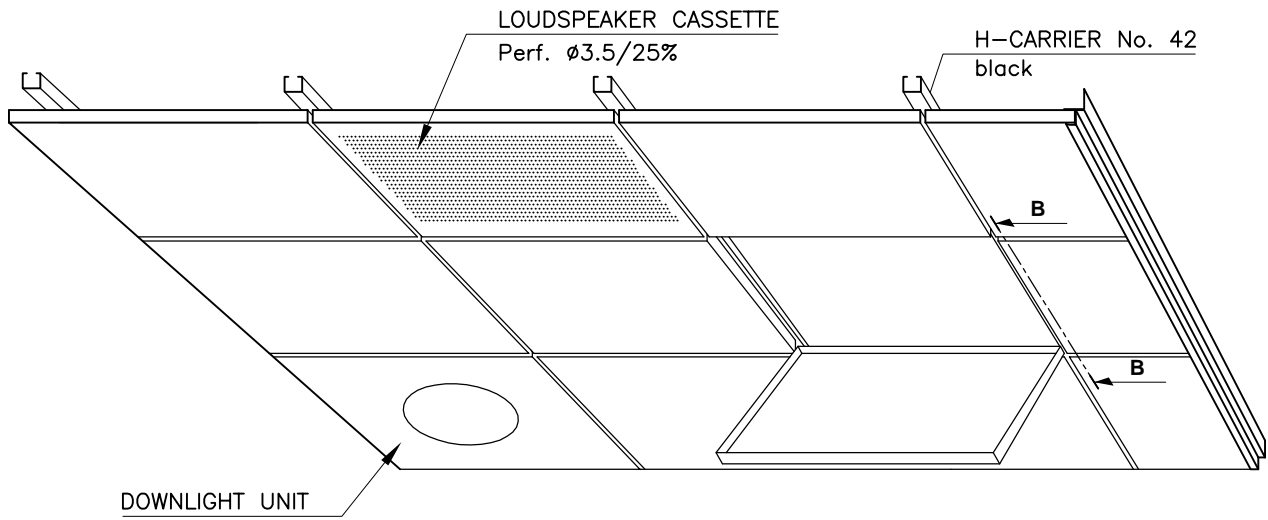
Material	0.7 Al (0.5 Steel)
Module	600x600 mm
Height	25 mm
Perforation	Ø2.0 mm or Ø3.5 mm
Inlay	mineral wool in plastic or acoustic felt
Finish	stove enamelled (or anodized aluminium) according to LTX-colour card or any other well-known colour charts
Ventilation	installation also with air space
Protective film	the surface is provided with a protective film if required
Service hatch	see page 2
Loudspeaker	perforated cassette with Ø3.5mm / 25% area
Suspension	see "Suspension systems for L-type cassettes"
Edge lists	see "Lists-01" and "Lists-02"
Downlight unit	see page 2
Other special solutions	please contact our technical information department

- ① = NL-600; unperforated without acoustic inlay
- ② = NLR-600; perforated without acoustic inlay
- ③ = NLRT-600; perforated, with mineral wool in plastic or acoustic felt
- ④ = NLT-600; unperforated, with mineral wool in plastic

Latest information: [www.lautex.com](http://www.lautex.com)

All products are subject to modifications without prior notice 2011

## MARINE CASSETTE LAUTEX NL-600 INSTALLATION DETAILS AND ACCESSORIES



### THEORETICAL NEED OF SUSPENSION STRUCTURES

Product	Need of material
Carrier No. 42	1.8 m/m <sup>2</sup>
L-list No. 50	0.8-1.4 m/m <sup>2</sup>
Z-list No. 51C	0.8-1.4 m/m <sup>2</sup>

### WEIGHT OF CEILING

Cassette	NL-600	NL-600
Material	0.7 Al	0.5 Steel
Weight	2.2 Kg/m <sup>2</sup>	4.6 Kg/m <sup>2</sup>

### WEIGHT OF OTHER CEILING MATERIALS

Product	Weight of material
Carrier No. 42 (1.0 Steel)	0.83 kg/m
L-list No. 50 (1.0 Al)	0.21 kg/m
Z-list No. 51C (1.0 Al)	0.15 kg/m
Mineral wool in plastic	0.52 kg/m <sup>2</sup>

Latest information: [www.lautex.com](http://www.lautex.com)

All products are subject to modifications without prior notice 2011