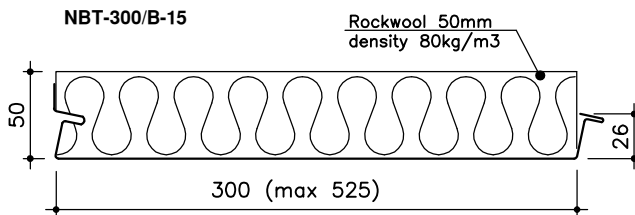
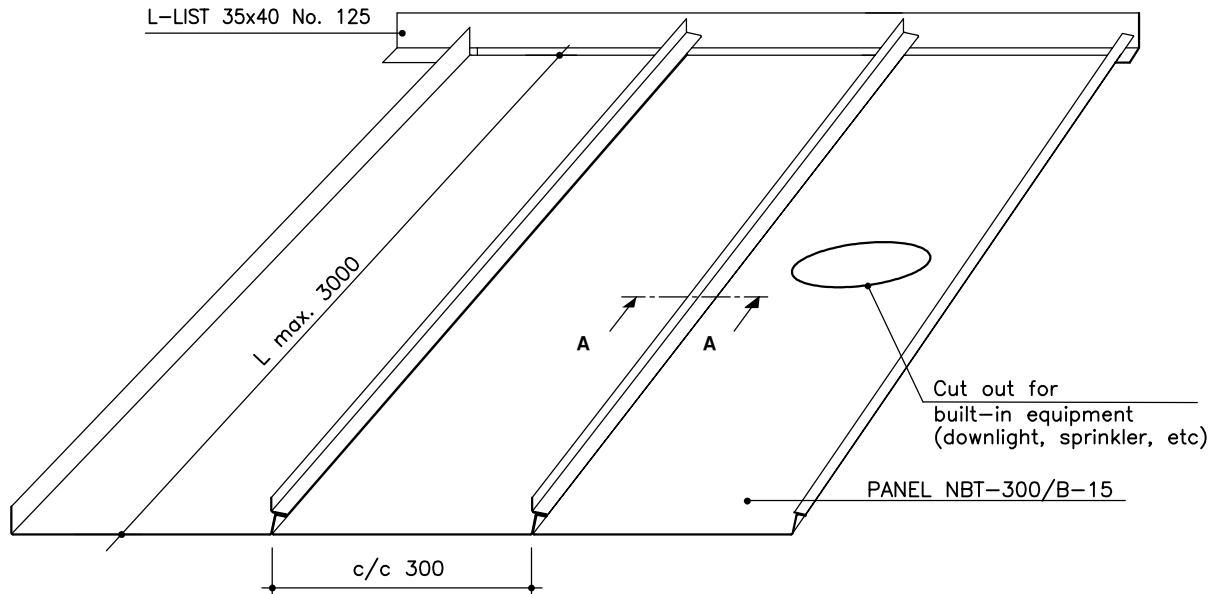
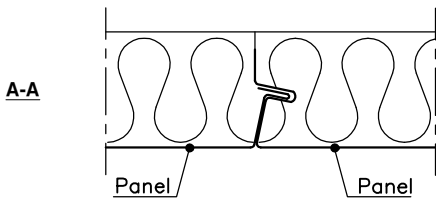
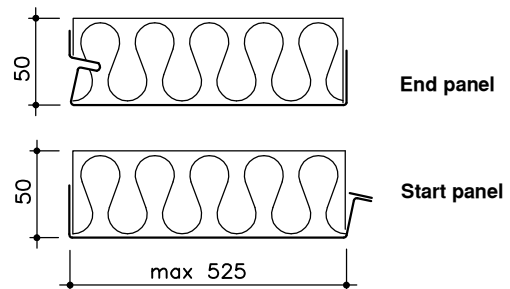


MARINE PANEL LAUTEX NBT-300 / B-15 / A-30 DECK



NBT-fitting panels/B-15



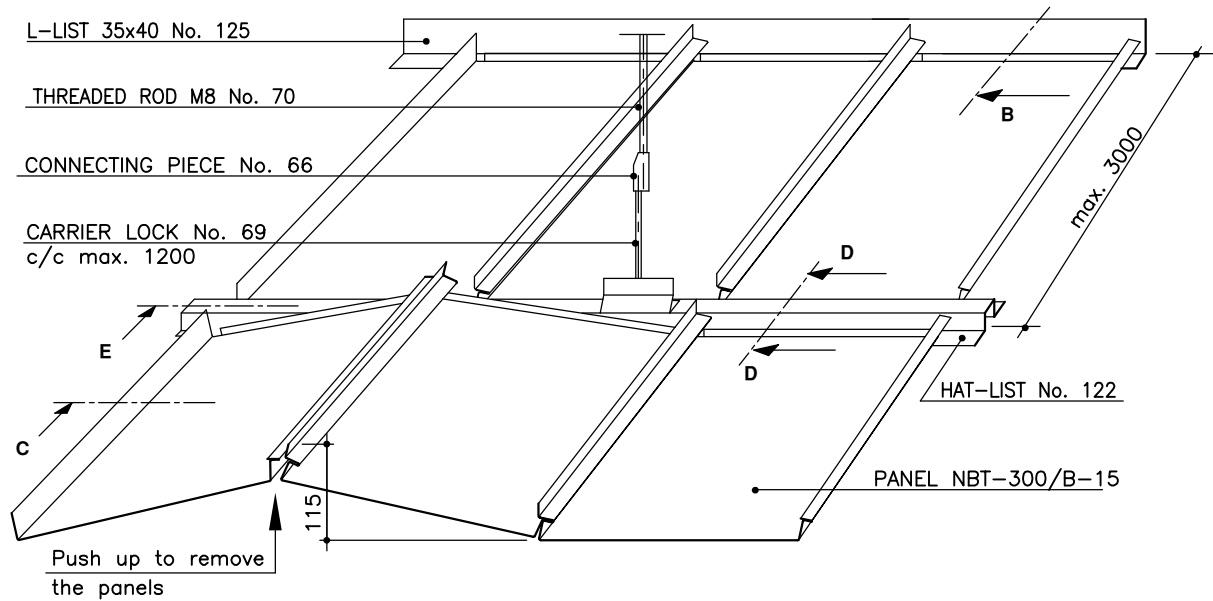
NBT-300 PANELS / CLASSIFICATION "B-15"

Material	0.6 Steel (0.7 Steel 525 width)
Width	300 mm, fittings max 525mm
Height	50 mm
Length	max 3000 mm
Insulation	rockwool, density 80 kg/m ³ , s=50
Finish	stove enamelled according to LTX-colour card or any other well-known colour charts
Protective film	the surface is provided with a protective film
End bendings	standard
Other special solutions	please contact our technical information department

Latest information: www.lautex.com

All products are subject to modifications without prior notice 2011

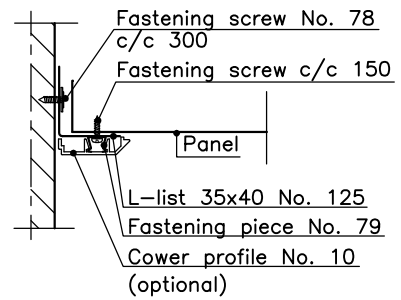
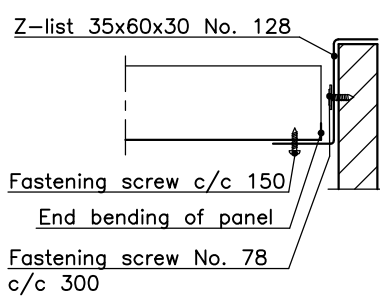
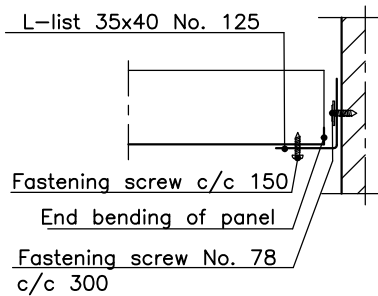
MARINE PANEL LAUTEX NBT-300 / B-15 / A-30 DECK



B-B
(ALT. 1)

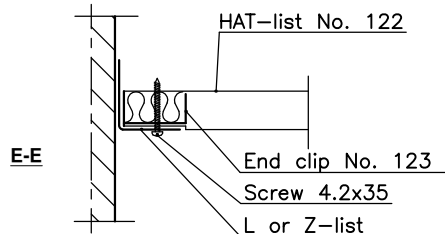
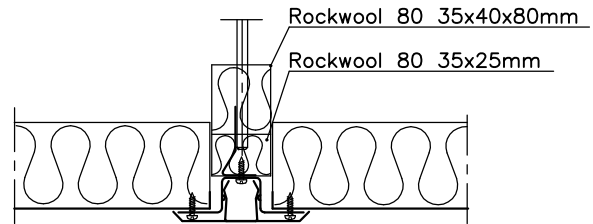
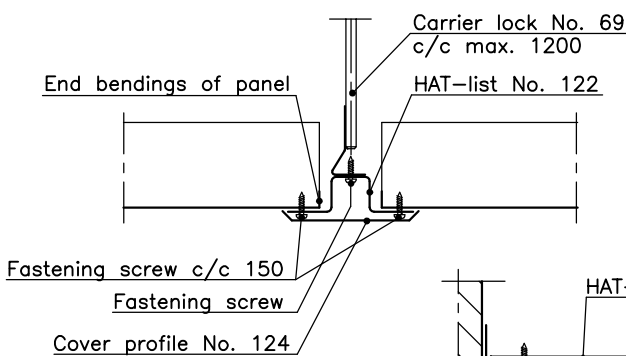
B-B
(ALT. 2)

C-C



D-D

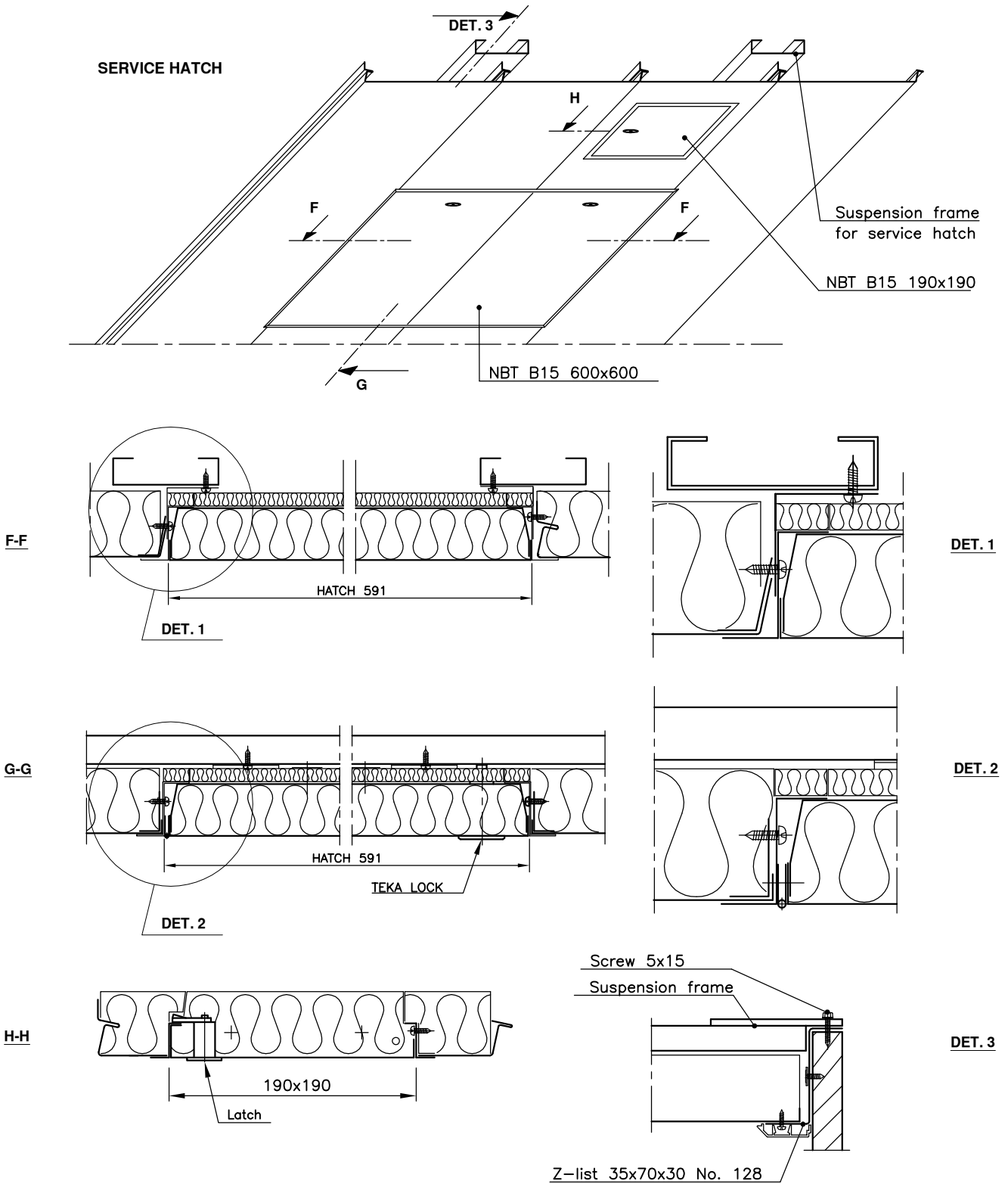
Insulation



Latest information: www.lautex.com

All products are subject to modifications without prior notice 2011

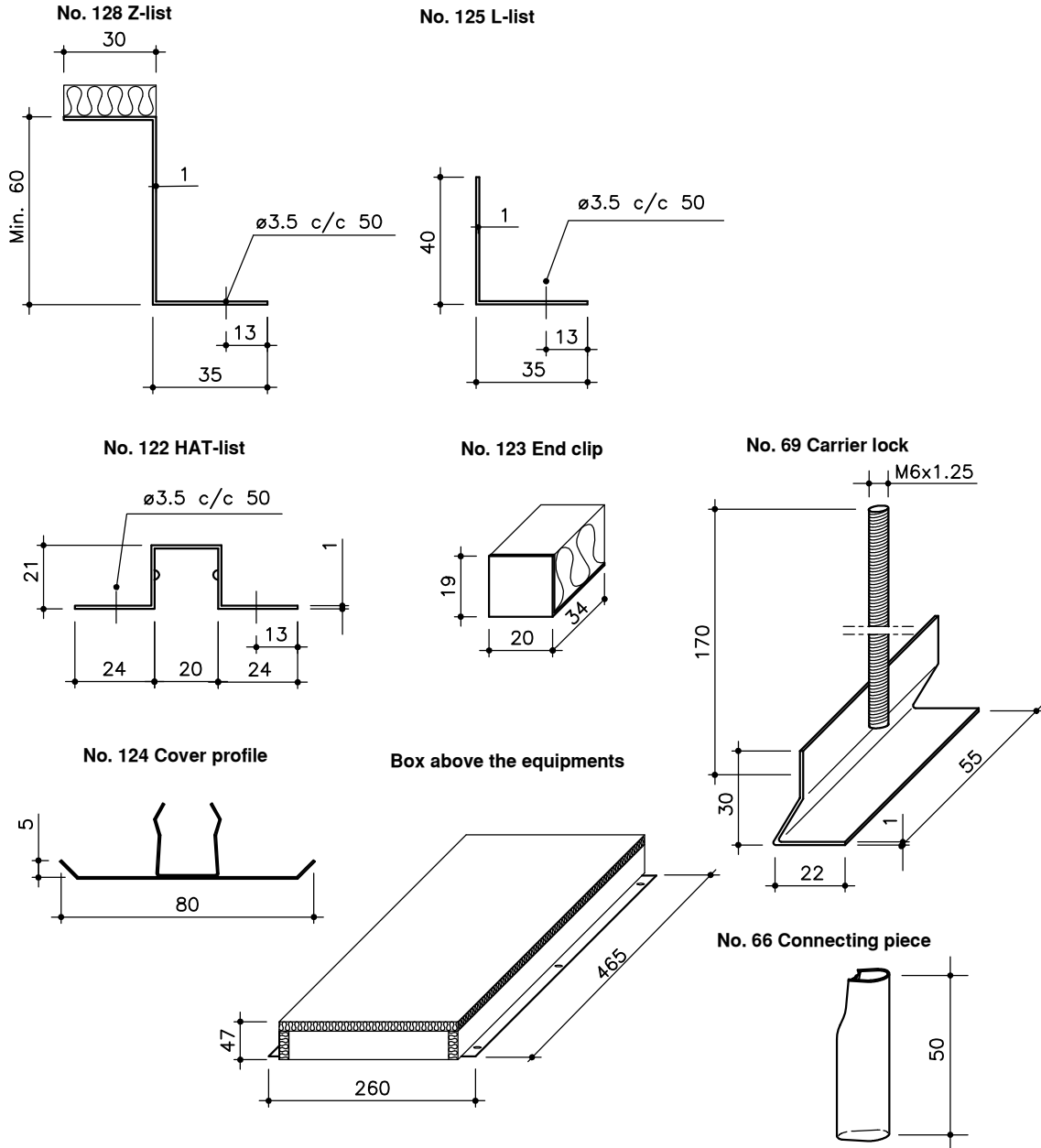
MARINE PANEL LAUTEX NBT-300 / B-15 / A-30 DECK



Latest information: www.lautex.com

All products are subject to modifications without prior notice 2011

MARINE PANEL LAUTEX NBT-300 / B-15 / A-30 DECK ACCESSORIES



THEORETICAL NEED OF SUSPENSION STRUCTURES

Product	Need of material
L-list No. 125	0.8 - 1.4 m/m ²
Z-list No. 126	0.8 - 1.4 m/m ²
Screw 4.2x13 No.75	~17 pcs /m ²

WEIGHT OF PANELS KG / M2

Panel	NBT-300/B-15
Material	0.6 steel
Weight *	10.65 kg/m ²

WEIGHT OF OTHER CEILING MATERIALS

Carrier lock	0.03 kg/pcs
L-list No. 125 (1.0 steel)	0.60 kg/m
Z-list No. 126 (1.0 steel)	1.00 kg/m
HAT-list No. 122 (1.0 steel)	0.90 kg/m
Support profile (1.5 steel)	1.68 kg/m

Latest information: www.lautex.com

All products are subject to modifications without prior notice 2011