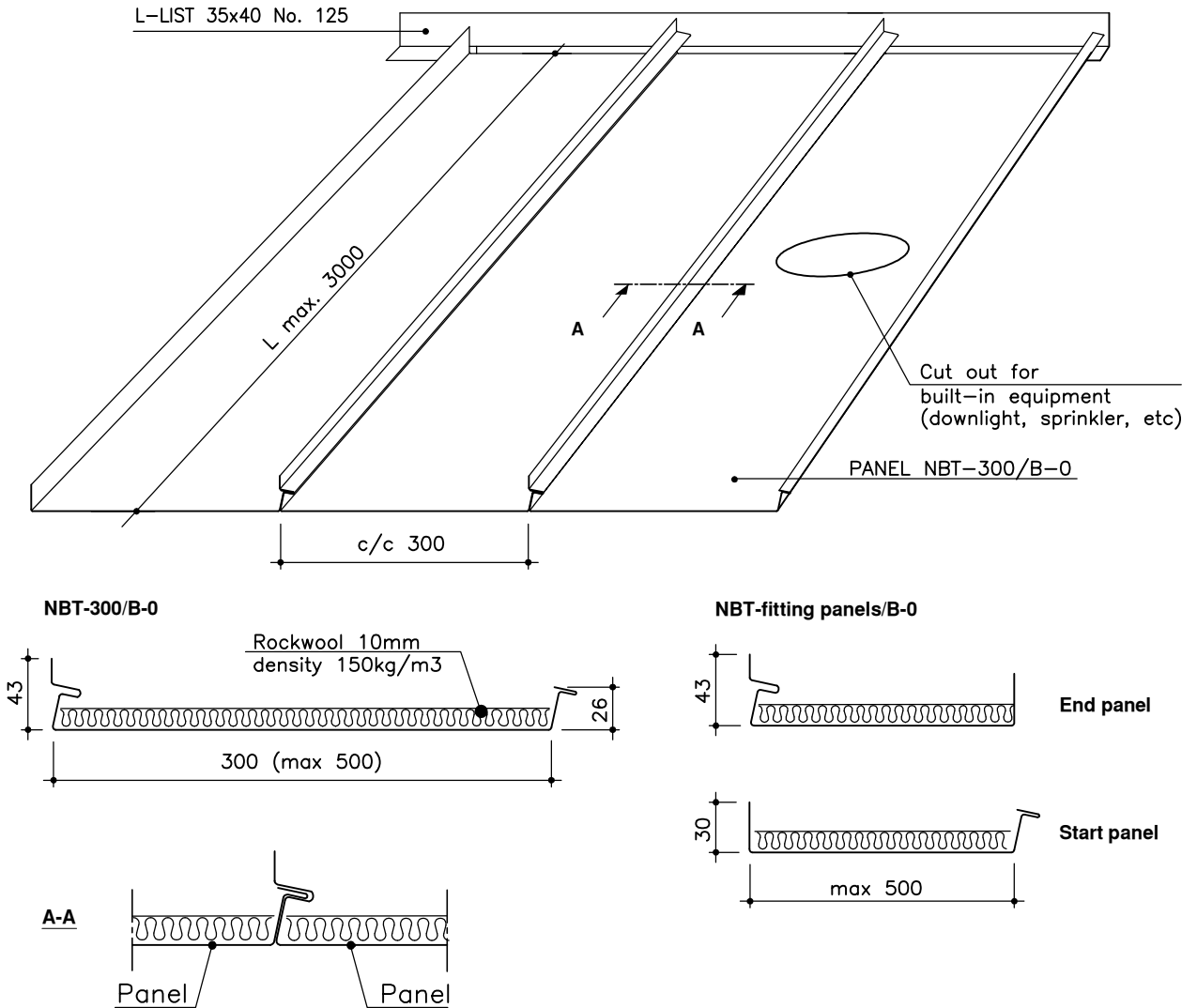


MARINE PANEL LAUTEX NBT-300 / B-0 / A-15 DECK



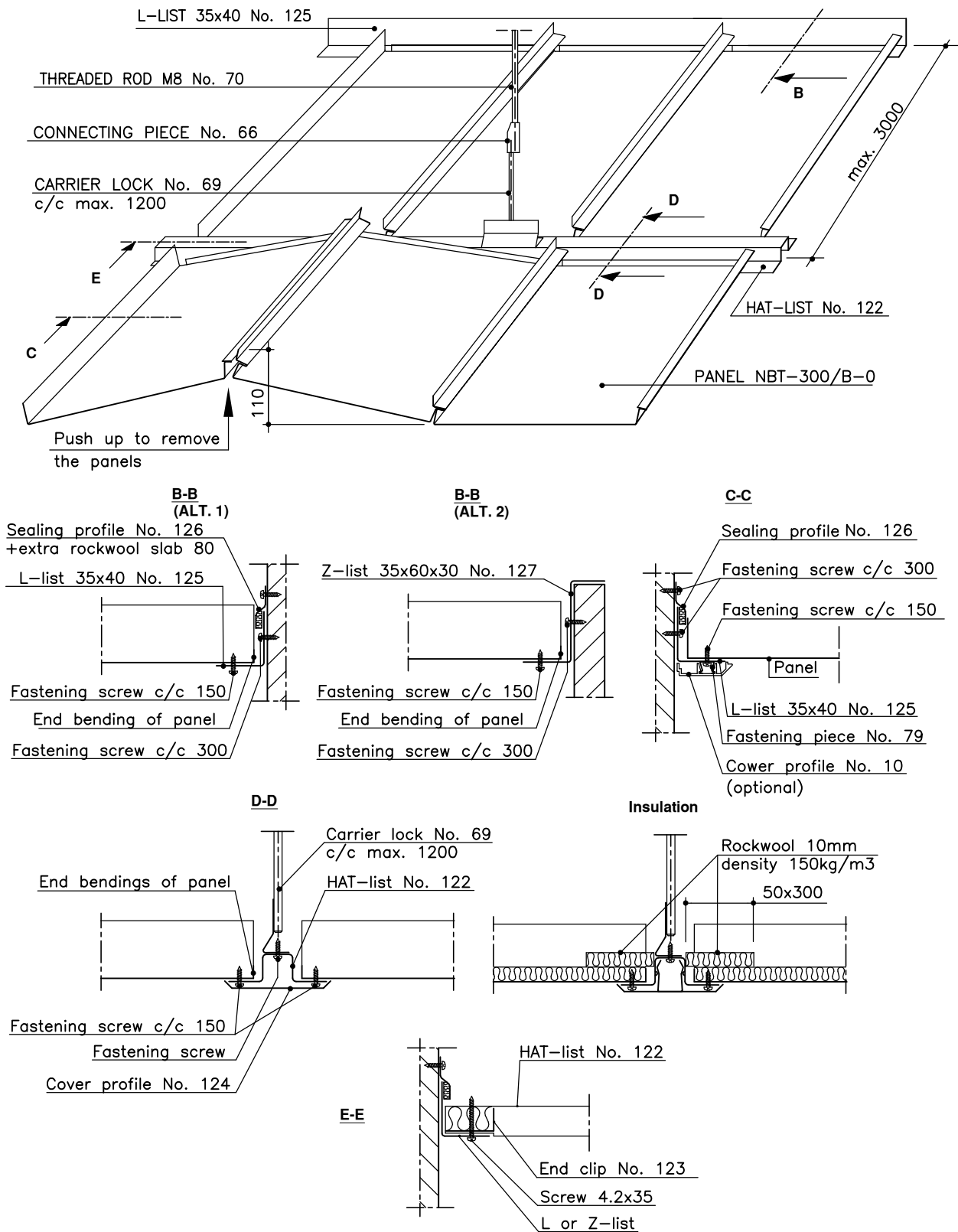
NBT-300 PANELS / CLASSIFICATION "B-0"

Material	0.6 Steel
Width	300 mm, fittings max 500mm
Height	43 mm
Length	max 3000 mm
Insulation	rockwool, density 150 kg/m ³ , s=10
Finish	stove enamelled according to LTX-colour card or any other well-known colour charts
Protective film	the surface is provided with a protective film
End bendings	standard
Other special solutions	please contact our technical information department

Latest information: www.lautex.com

All products are subject to modifications without prior notice 2011

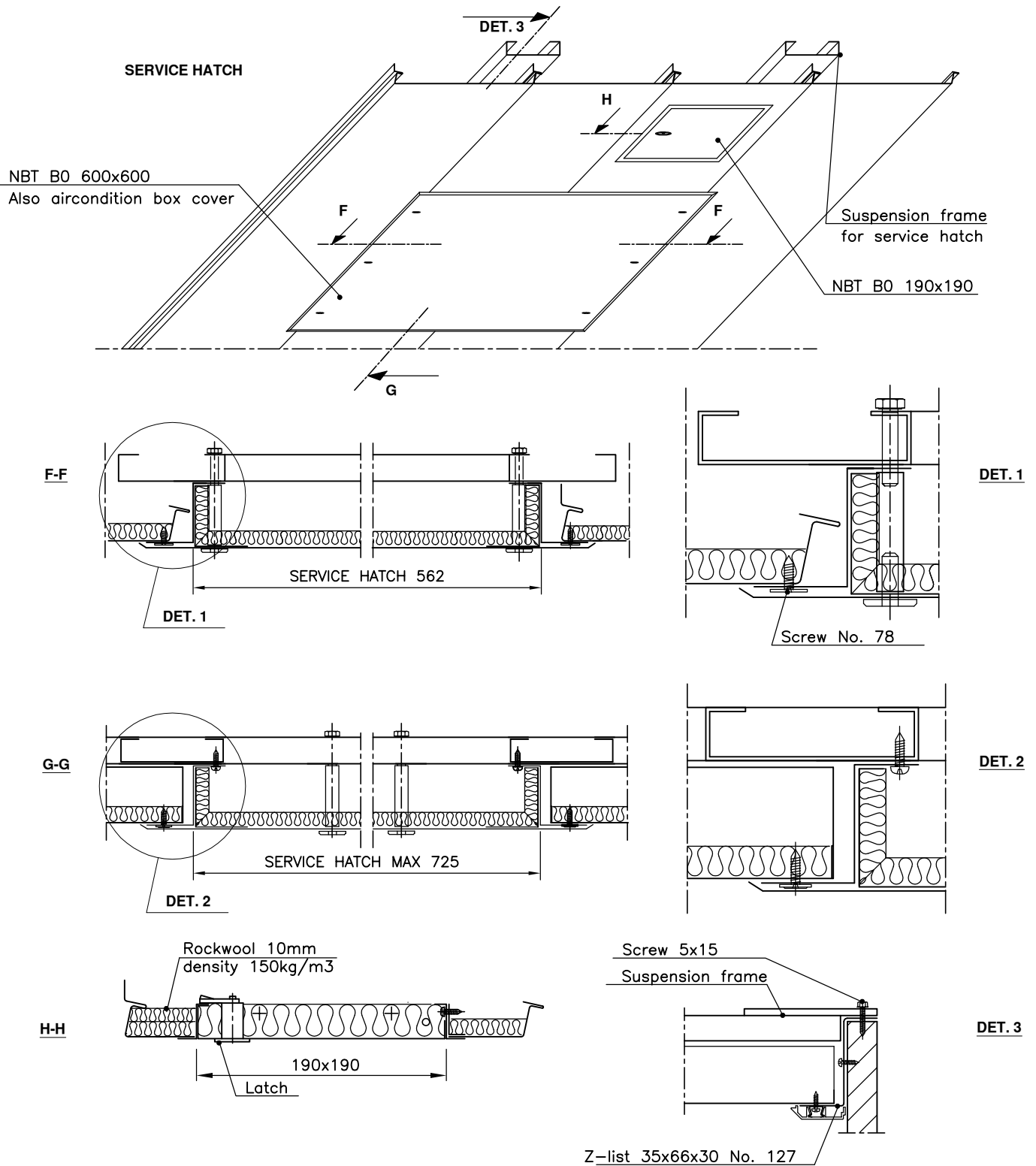
MARINE PANEL LAUTEX NBT-300 / B-0 / A-15 DECK



Latest information: www.lautex.com

All products are subject to modifications without prior notice 2011

MARINE PANEL LAUTEX NBT-300 / B-0 / A-15 DECK

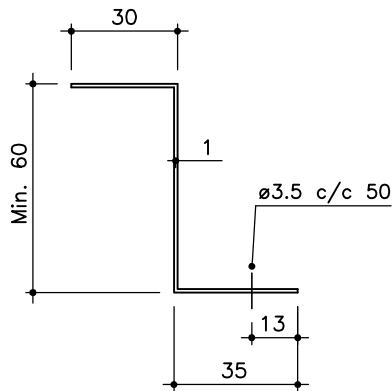


Latest information: www.lautex.com

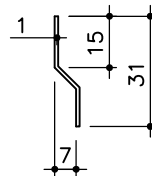
All products are subject to modifications without prior notice 2011

MARINE PANEL LAUTEX NBT-300 / B-0 / A-15 DECK ACCESSORIES

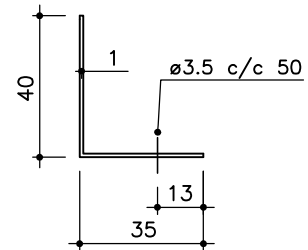
No. 127 Z-list



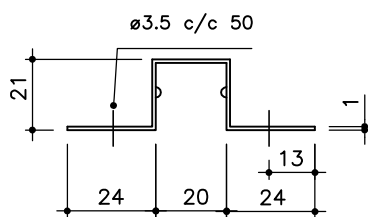
No. 126 Sealing profile



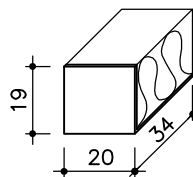
No. 125 L-list



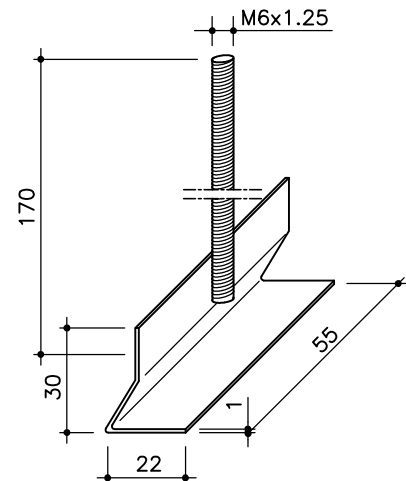
No. 122 HAT-list



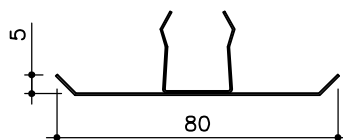
No. 123 End clip



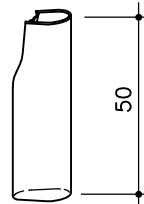
No. 69 Carrier lock



No. 124 Cover profile



No. 66 Connecting piece



THEORETICAL NEED OF SUSPENSION STRUCTURES

Product	Need of material
L-list No. 125	0.8 - 1.4 m/m ²
Z-list No. 127	0.8 - 1.4 m/m ²
Z-list No. 126	0.8 - 1.4 m/m ²
Screw 4.2x13 No.75	~17 pcs /m ²

WEIGHT OF PANELS KG / M²

Panel	NBT-300/B-0
Material	0.6 steel
Weight *	8.14

WEIGHT OF OTHER CEILING MATERIALS

Carrier lock No. 69	0.03 kg/pcs
L-list No. 125 (1.0 steel)	0.60 kg/m
Z-list No. 127 (1.0 steel)	1.00 kg/m
Z-list No. 126 (1.0 steel)	0.26 kg/m
HAT-list No. 122 (1.0 steel)	0.90 kg/m
Support profile (1.5 steel)	1.68 kg/m

Latest information: www.lautex.com
All products are subject to modifications without prior notice 2011