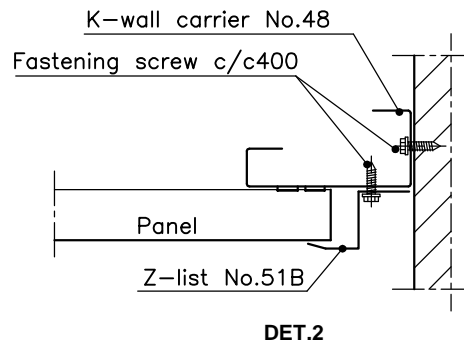
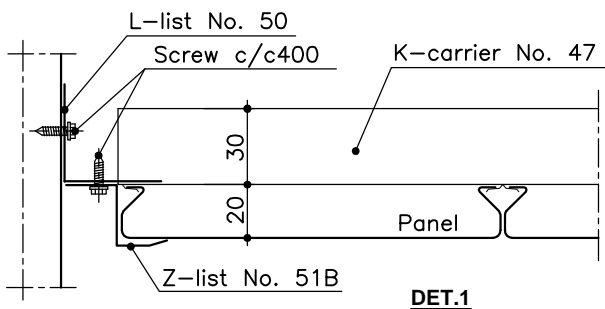
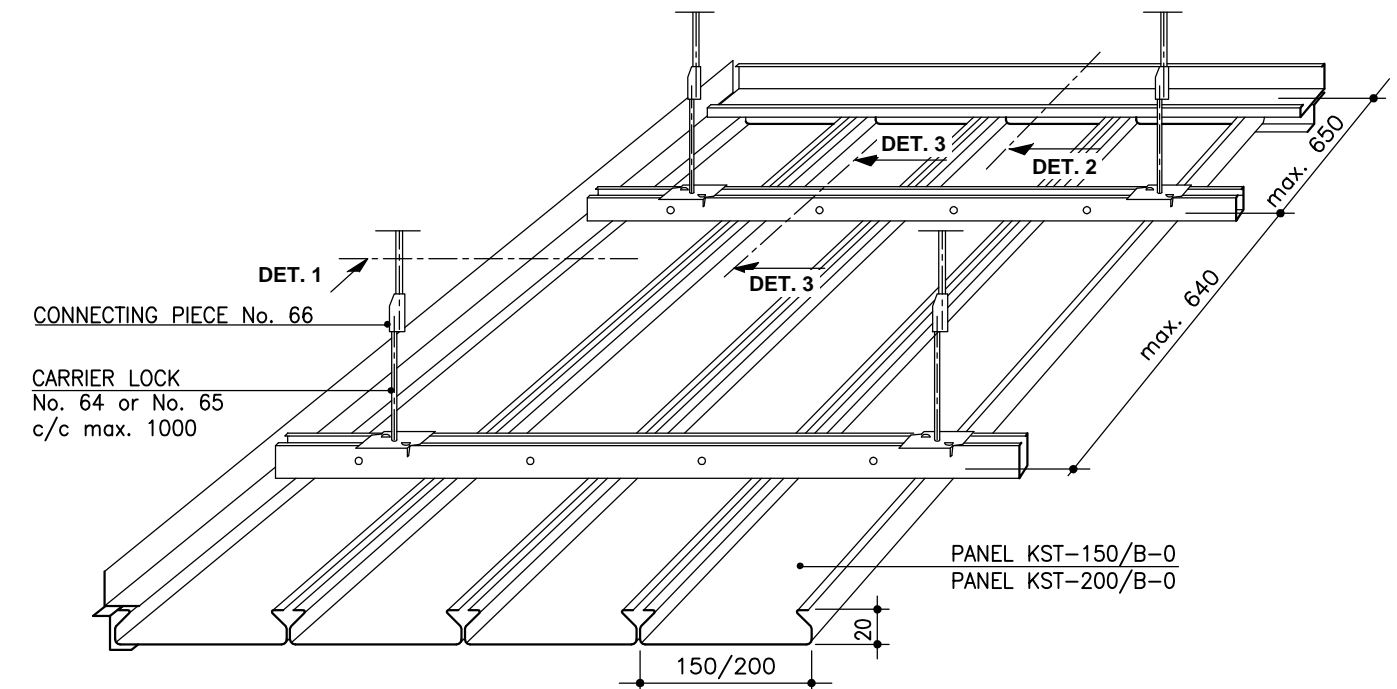
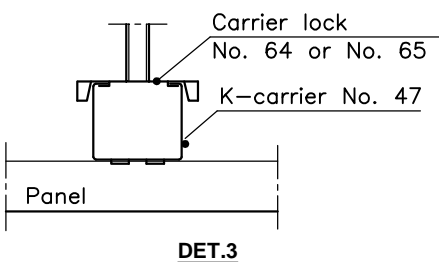
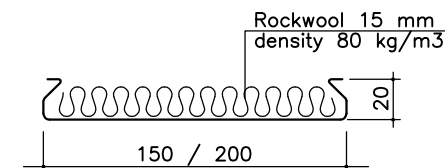


MARINE PANEL LAUTEX KST-150 AND KST-200 / B-0 / A-30 DECK



KST-150/B-0 AND KST-200/B-0



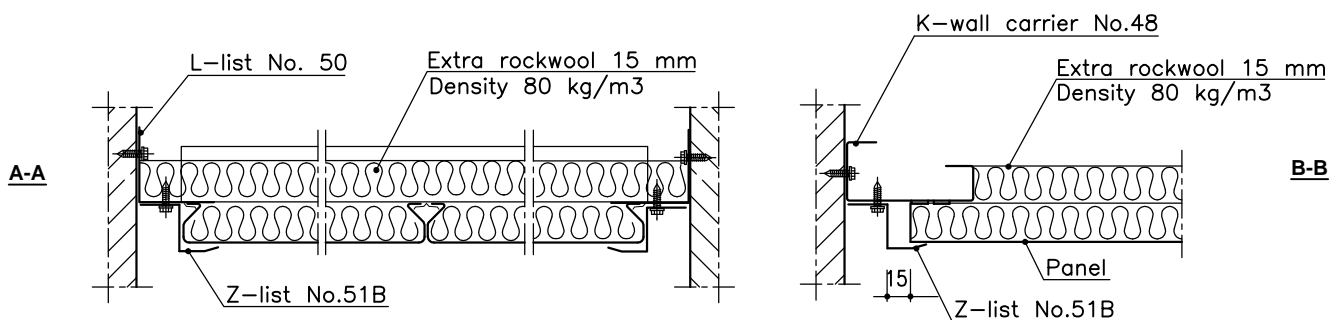
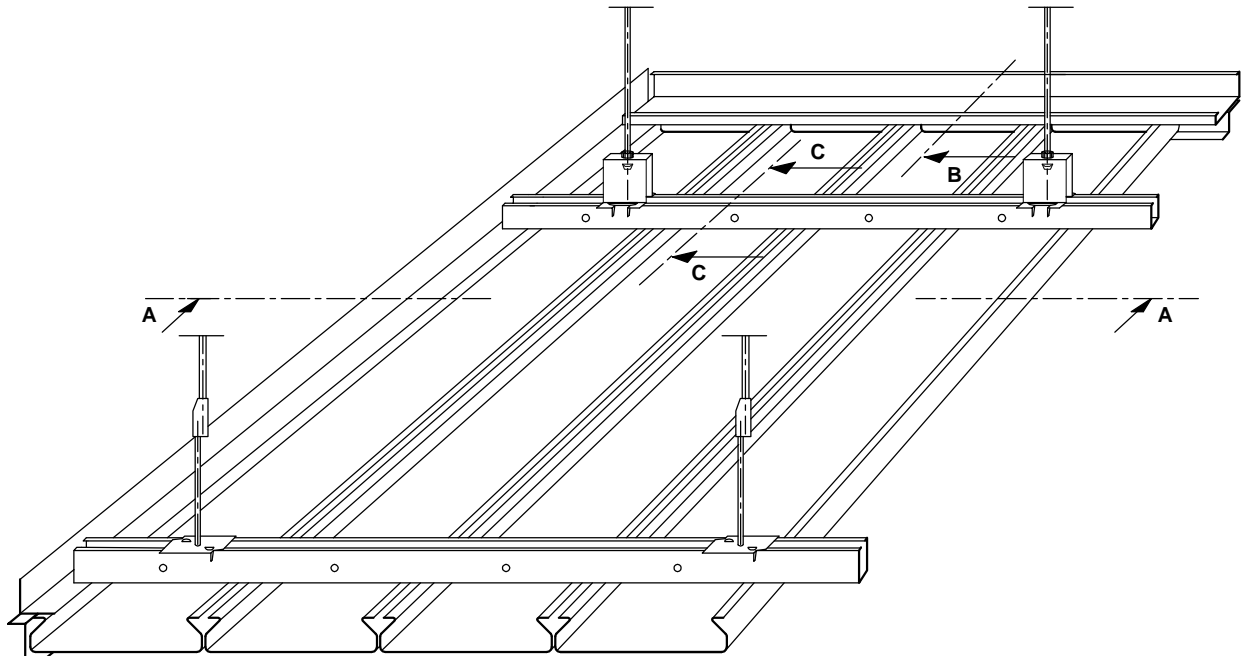
KST-150 AND KST-200 PANELS / CLASSIFICATION "B-0"

Material	0.5 Steel
Width	150 / 200
Height	20
Length	max 6500 mm
Insulation	rockwool, density 80 kg/m ³ , s=15
Finish	stove enamelled according to LTX-colour card or any other well-known colour charts
Protective film	the surface is provided with a protective film
Extra rockwool	density 80 kg/m ³ , s=15
Other special solutions	please contact our technical information department

Latest information: www.lautex.com

All products are subject to modifications without prior notice 2011

MARINE PANEL LAUTEX KST-150 AND KST-200 / B-0 / A-30 DECK



THEORETICAL NEED OF SUSPENSION STRUCTURES

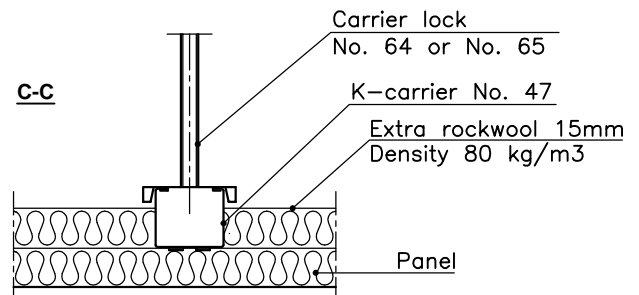
Product	Need of material
Carrier No. 47	1.6 m/m ²
Carrier lock	1 pcs / carrier meter
L-list No. 50	0.8 - 1.4 m/m ²
Z-list No. 51B	0.8 - 1.4 m/m ²
Screw 4.2x13 No.75	~5 pcs /m ²

WEIGHT OF PANELS KG / M²

	KST-150/B-0	KST-200/B-0
Material	0.5 steel	0.5 steel
Weight	6.53	6.20

WEIGHT OF OTHER CEILING MATERIALS

Extra rockwool	1.20 kg/m ²
Carrier No. 47	0.83 kg/m
Carrier lock	0.08 kg/pcs
L-list No. 50 (1.0 steel)	0.64 kg/m
Z-list No. 51B (1.0 steel)	0.48 kg/m

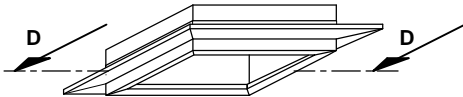


Latest information: www.lautex.com
 All products are subject to modifications without prior notice 2011

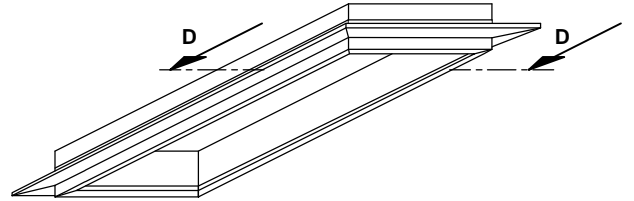
MARINE PANEL LAUTEX KST-150 AND KST-200 / B-0 / A-30 DECK

A-30 deck not applicable for down light unit, loudspeaker unit and service hatch.

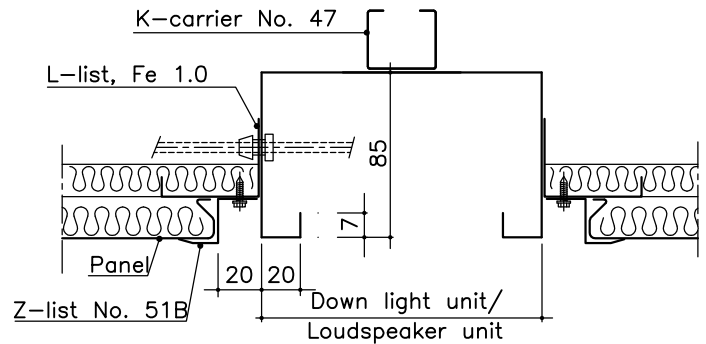
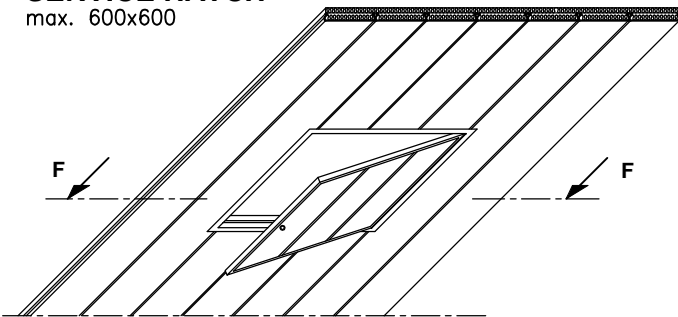
LOUDSPEAKER UNIT max. 160x160



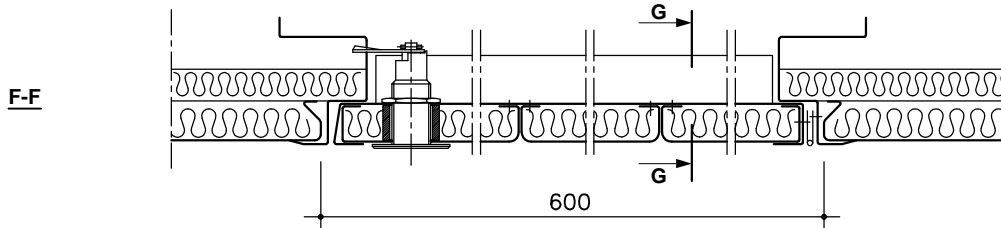
DOWN LIGHT UNIT max. 360x1060



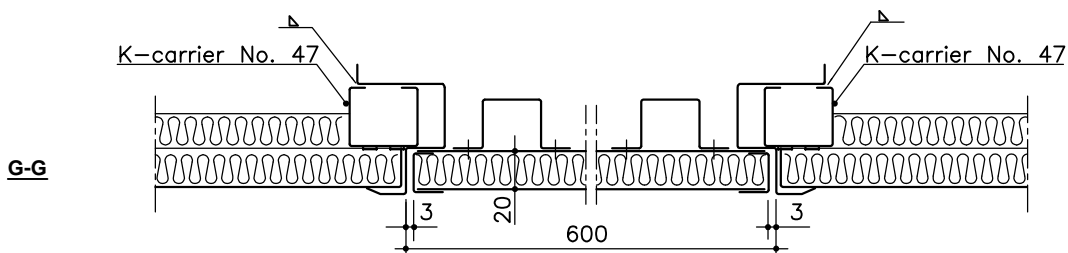
SERVICE HATCH max. 600x600



D-D



F-F



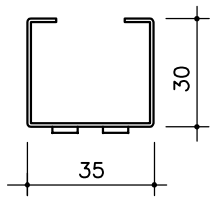
G-G

Latest information: www.lautex.com

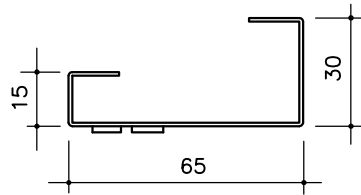
All products are subject to modifications without prior notice 2011

MARINE PANEL LAUTEX KST-150 AND KST-200 / B-0 / A-30 DECK ACCESSORIES

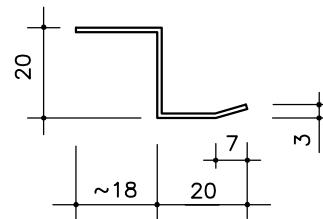
No. 47 K-CARRIER



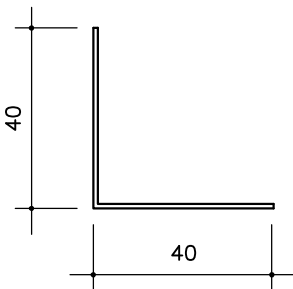
No. 48 K-WALL CARRIER



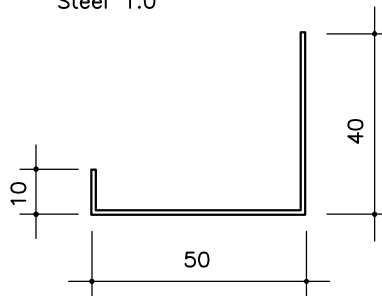
No. 51B Z-LIST



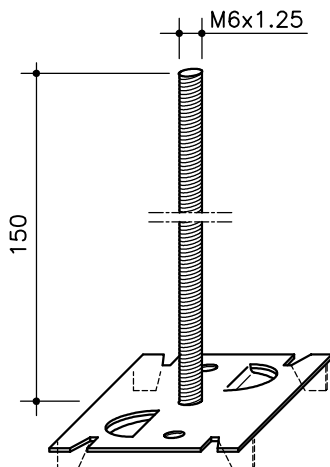
No. 50 L-LIST



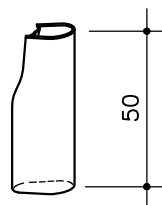
LIST FOR DOWN LIGHT UNIT ETC.
Steel 1.0



No. 64. CARRIER LOCK



No. 66. CONNECTING PIECE



Latest information: www.lautex.com

All products are subject to modifications without prior notice 2011