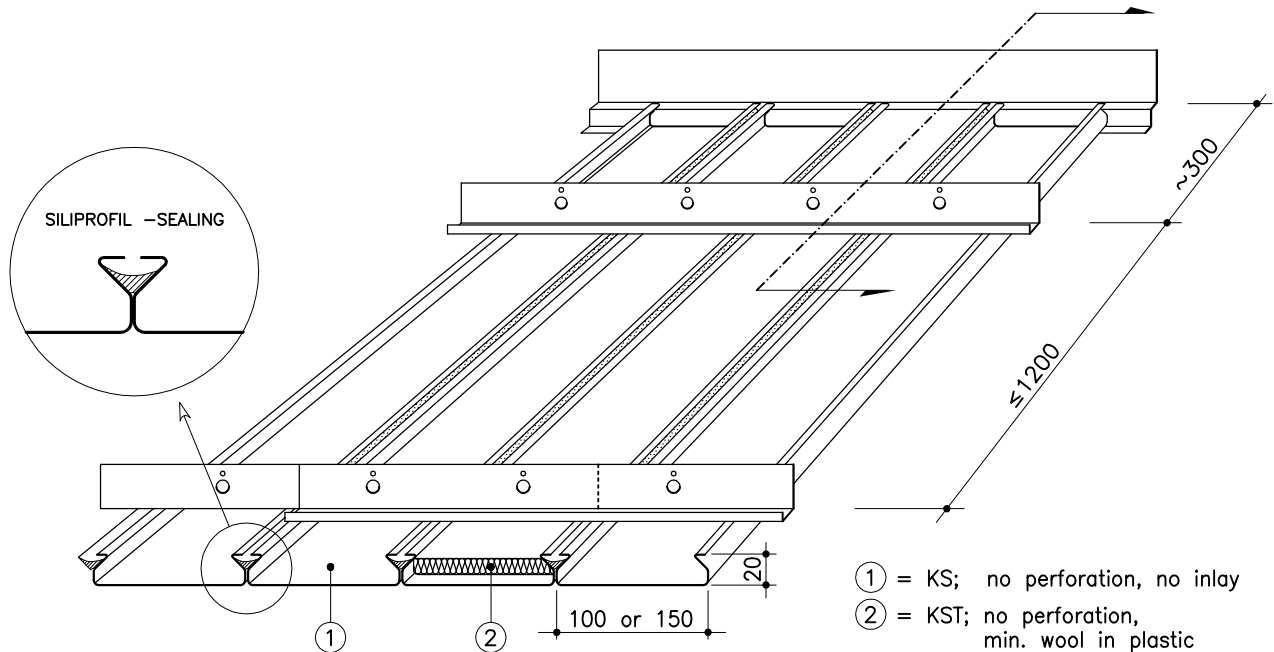
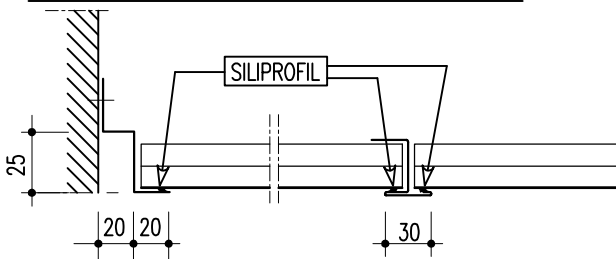


## PANEL LAUTEX KS-100 JA -150 SILIPROFIL



### INSTALLATION ALT. 1, DUSTPROOF CEILING



The ceiling can be made dustproof or washproof with SILIPROFIL-sealing. These kind of ceilings are used in:

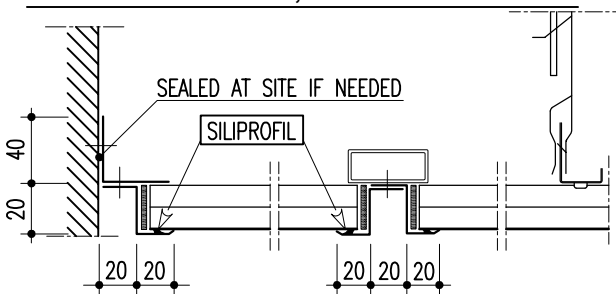
- kitchens
- hospitals
- food industry
- electronics industry
- other high hygienic spaces

#### DEFINITION EXAMPLE FOR DUSTPROOF CEILING:

LAUTEX KS-150 SILIPROFIL DUSTPROOF

- 0,5 mm Al, colour: LTX-101
- lists and connection seams according to INSTALLATION ALT. 1

### INSTALLATION ALT. 2, WASHPROOF CEILING

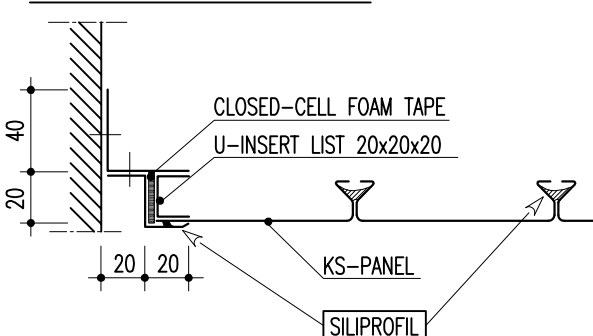


#### DEFINITION EXAMPLE FOR WASHPROOF CEILING:

LAUTEX KS-150 SILIPROFIL WASHPROOF

- 0,7 mm Al, colour: LTX-101
- lists and connection seams according to INSTALLATION ALT. 2

### INSTALLATION OF A CUT PANEL INSTALLATION ALT. 1 AND 2



#### LAUTEX KS-100 AND -150 SILIPROFIL PANEL

Material	0,5 mm Al	INSTALLATION ALT. 1
	0,7 mm Al	INSTALLATION ALT. 2
Width	100 and 150 mm	
Height	20 mm	
Length	1250 - 6500 mm	
Perforation	In special cases (see leaflet 6.2)	
Inlay	Min. wool in plastic	
Finish	Stove enamelled or plastic coated (Fe)	
SILIPROFIL	Sticked on panels and lists	
Closed-cell foam tape	Sticked on Z-lists (INSTALLATION ALT. 2)	
Inlet (see front page)	Size $\square$ 600 x 600 and $\phi$ according to choice	
Lists (choose)	INSTALLATION ALT. 1 Dustproof ceiling	
	INSTALLATION ALT. 2 Washproof ceiling	
Screws	Stainless steel (INSTALLATION ALT. 2)	
Other special solutions	Please contact our technical information department.	

All products are subject to modifications without prior notice.

2011