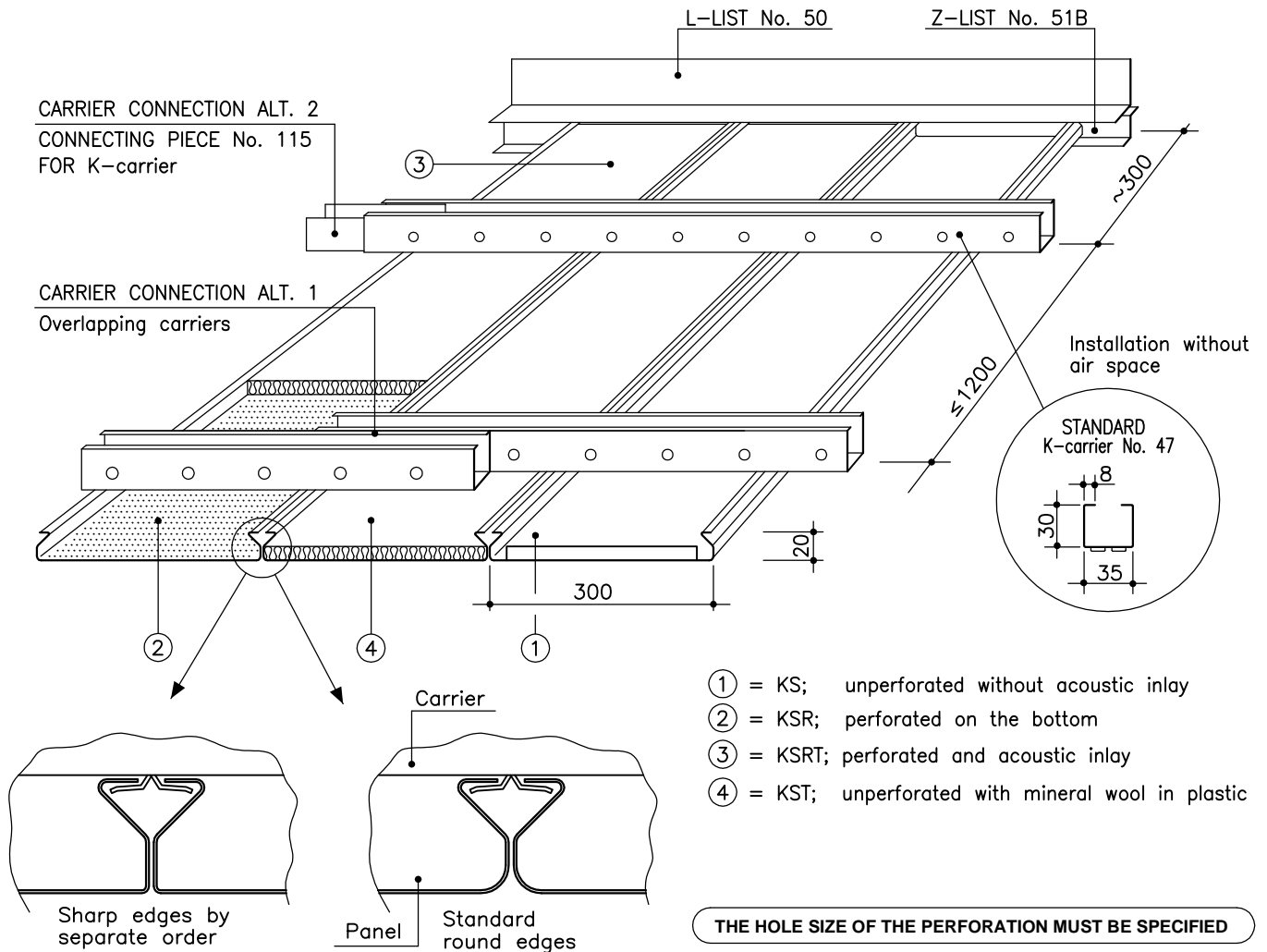


## MARINE PANEL LAUTEX KS-300



### KS-300 PANELS / CLASSIFICATION "C"

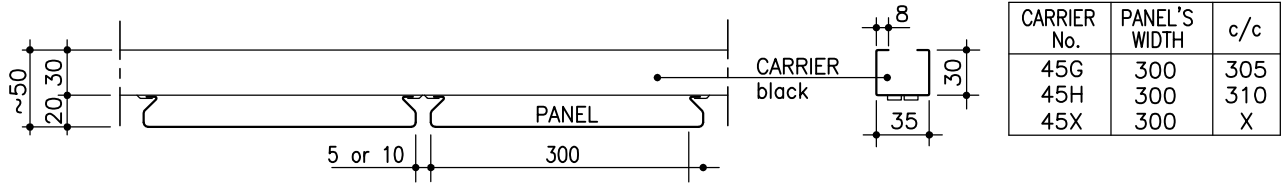
Material	0.7 Al, 0.6 steel
Width	300 mm
Height	20 mm
Length	max 4000 mm
Perforation	Ø 3.5 mm, other alternatives see "Perforations"
Inlay	mineral wool in plastic or acoustic felt
Finish	stove enamelled (or anodized) according to LTX-colour card or any other well-known colour charts
Ventilation	installation with air space 5 or 10 mm, also according to order, min. 4 mm (see overleaf)
Protective film	the surface is provided with a protective film if required
End bendings	standard
Service hatch	see page 2
Loudspeaker panel	see page 2
Downlight unit	see page 2
Suspension	see "Suspension systems for panels"
Edge lists	see "Lists for panels"
Other special solutions	please contact our technical information department

Latest information: [www.lautex.com](http://www.lautex.com)

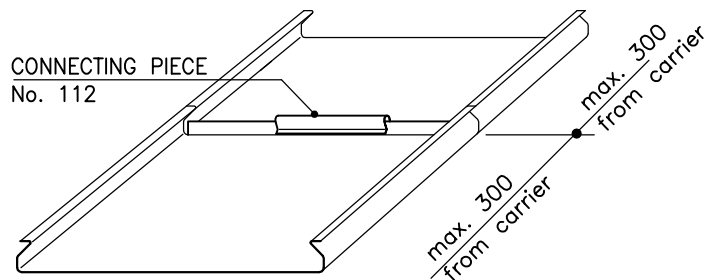
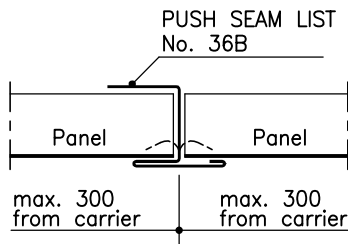
All products are subject to modifications without prior notice 2011

## MARINE PANEL LAUTEX KS-300 INSTALLATION DETAILS AND ACCESSORIES

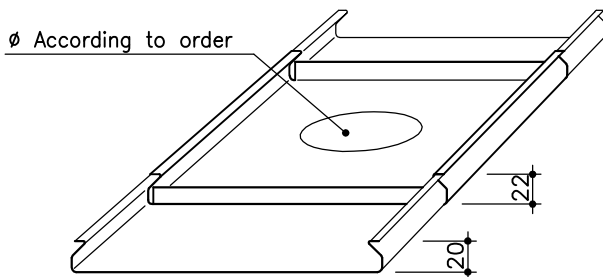
INSTALLATION WITH AIR SPACE 5 AND 10 MM (ALSO ACCORDING TO ORDER; MIN. 4 MM)



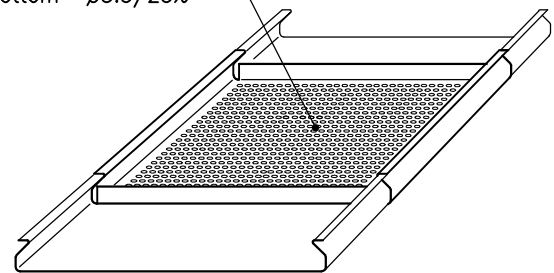
### SOLUTIONS OF PANEL CONNECTION



### DOWNLIGHT OR LOUDSPEAKER PANEL

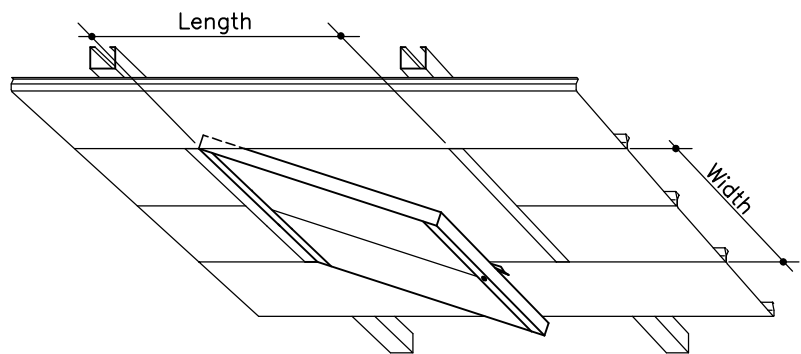


Perforated on the whole bottom  $\varnothing 3.5/25\%$



### SERVICE HATCH

SERVICE HATCH No.	LENGTH x WIDTH (opening in the ceiling)
84A	300 x 300
84B	600 x 600



### WEIGHT OF PANELS KG / M<sup>2</sup>

	KS-300	
Material	0.7 Al	0.6 steel
Weight	2.21	5.60

### WEIGHT OF OTHER CEILING MATERIALS

Product	Weight of material
Mineral wool in plastic	0.52 kg/m <sup>2</sup>
Carrier No. 45 or 47	0.83 kg/m
Carrier lock	0.08 kg/pcs
L-list No. 50 (1.0 Al)	0.21 kg/m
Z-list No. 51B (1.0 Al)	0.15 kg/m

### THEORETICAL NEED OF SUSPENSION STRUCTURES

Product	Need of material
Carrier No. 45, 47	1.2 - 1.6 m/m <sup>2</sup>
Carrier lock	1 pcs / carrier meter
L-list No. 50	0.8 - 1.4 m/m <sup>2</sup>
Z-list No. 51B	0.8 - 1.4 m/m <sup>2</sup>

Latest information: [www.lautex.com](http://www.lautex.com)

All products are subject to modifications without prior notice 2011