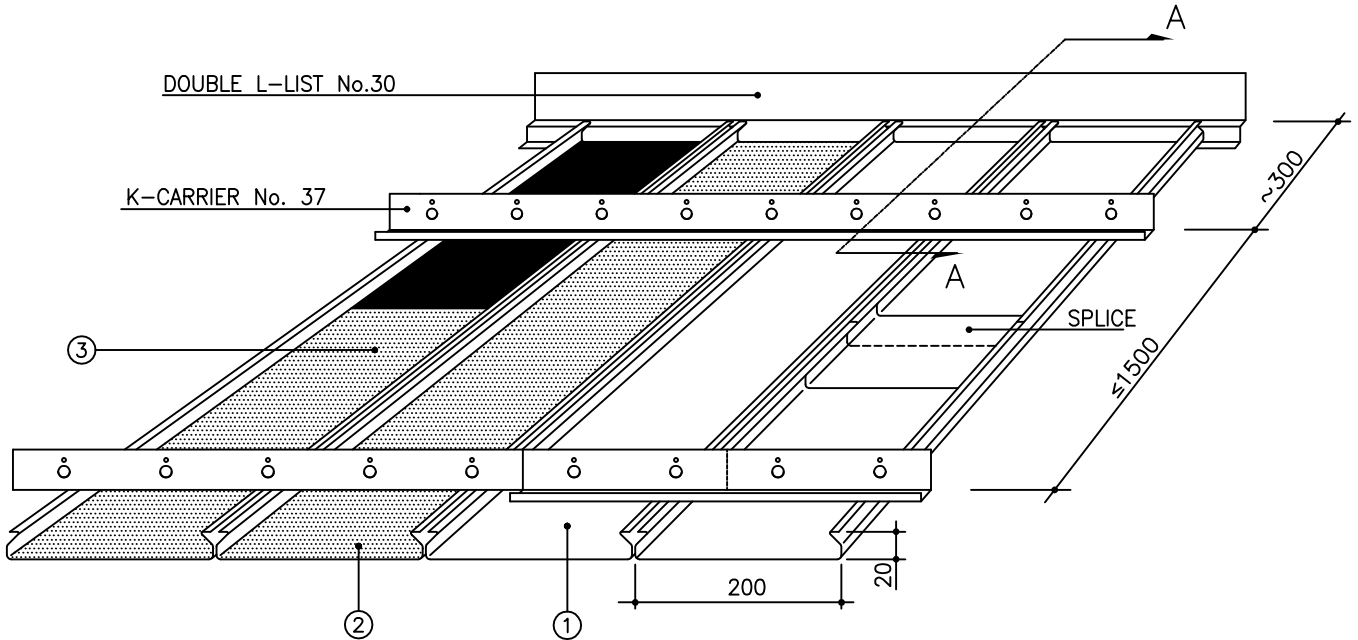
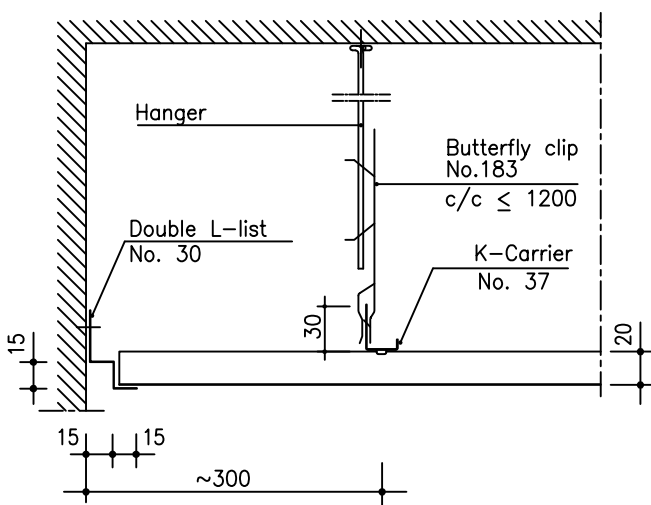


## PANEL LAUTEX KS-200



- ① = KS; unperforated, without acoustic inlay
- ② = KSR; perforated on the bottom
- ③ = KSRT; perforated and acoustic inlay

### A - A



STRUCTURAL DETAILS SEE LEAFLET 6.1

### KS-PANEL

Material	0.7 mm Al
Width	200 mm
Height	20 mm
Length	1250-6500 mm
Perforation	∅2.0 mm
Inlay	acoustic felt
Finish	stove enamelled

### OTHER ALTERNATIVES

Material	0.5 Steel
Length	<1250 mm
Perforation	∅3.5 mm
Inlay	wool in plastic
Finish	for example, high gloss anodized (Al)
Other special solutions	please contact our technical information department

All products are subject to modifications without prior notice  
2011