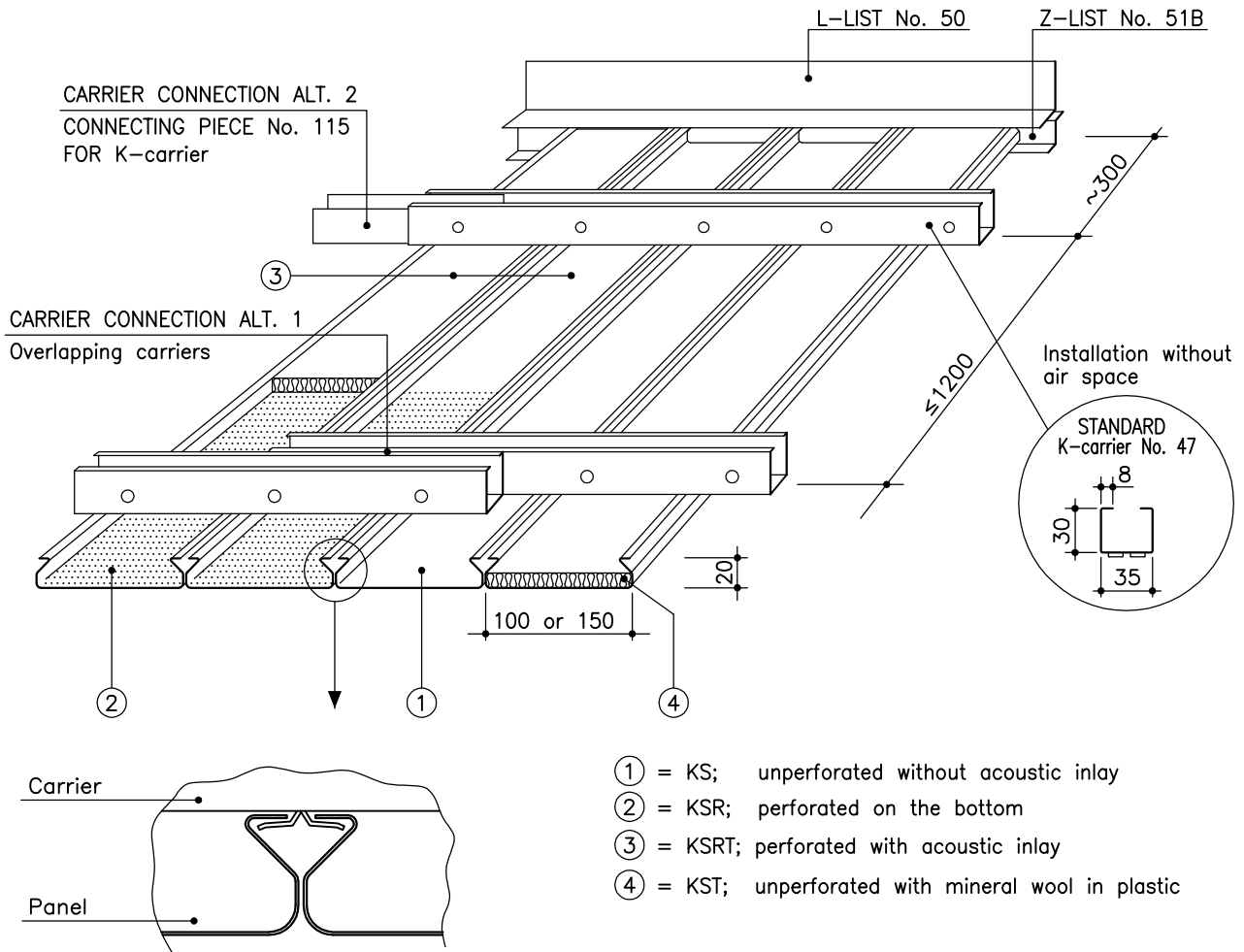


## MARINE PANEL LAUTEX KS-100 AND -150



THE HOLE SIZE OF THE PERFORATION MUST BE SPECIFIED

### KS-100 AND KS-150 PANELS / CLASSIFICATION "C"

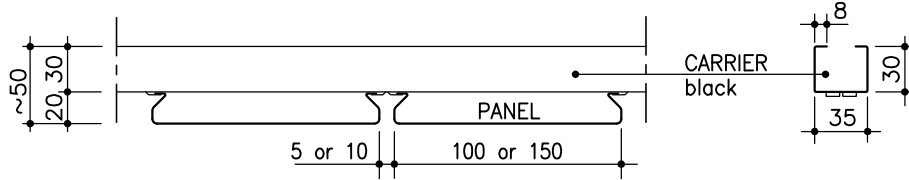
Material	0.5 Al	0.5 steel	0.5 Al	0.7 Al	0.5 steel
Width	100 mm		150 mm		
Height	20 mm				
Length	max 6500 mm				
Perforation	∅ 2.0 mm, other alternatives see page 6/12				
Inlay	mineral wool in plastic or acoustic felt				
Finish	stove enamelled (or anodized) according to LTX-colour card or any other well-known colour charts				
Ventilation	installation with air space 5 or 10 mm, also according to order, min. 4 mm (see overleaf)				
Protective film	the surface is provided with a protective film if required				
Service hatch	see page 2				
Loudspeaker panel	see page 2				
Downlight unit	see page 2				
Suspension	see "Suspension systems for panels"				
Edge lists	see "Lists for panels"				
Other special solutions	please contact our technical information department				

Latest information: [www.lautex.com](http://www.lautex.com)

All products are subject to modifications without prior notice 2011

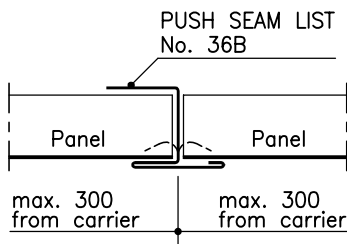
## MARINE PANEL LAUTEX KS-100 AND -150 INSTALLATION DETAILS AND ACCESSORIES

INSTALLATION WITH AIR SPACE 5 AND 10 MM (ALSO ACCORDING TO ORDER; MIN. 4 MM)

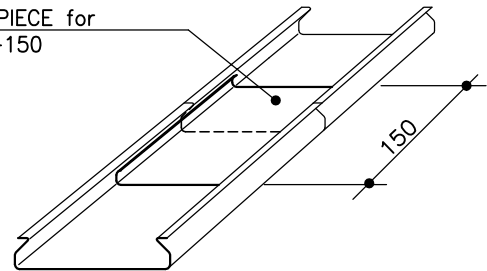


CARRIER No.	PANEL'S WIDTH	c/c
45A	100	105
45B	100	110
45C	150	155
45D	150	160
45X	100	X
45X	150	X

### SOLUTIONS OF PANEL CONNECTION

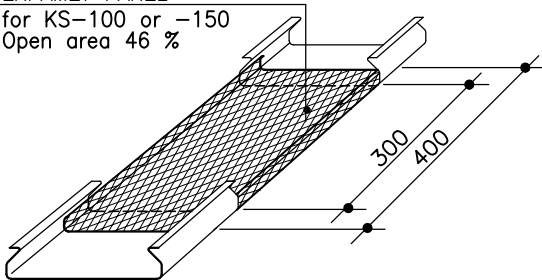


### CONNECTING PIECE for KS-100 or -150



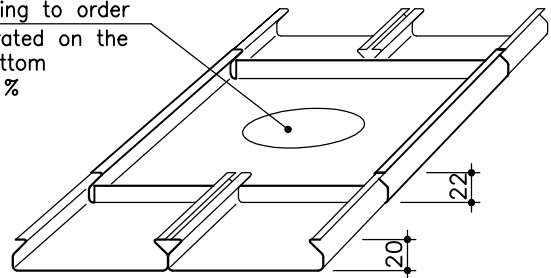
### LOUDSPEAKER PANEL

EXPAMET PANEL  
for KS-100 or -150  
Open area 46 %



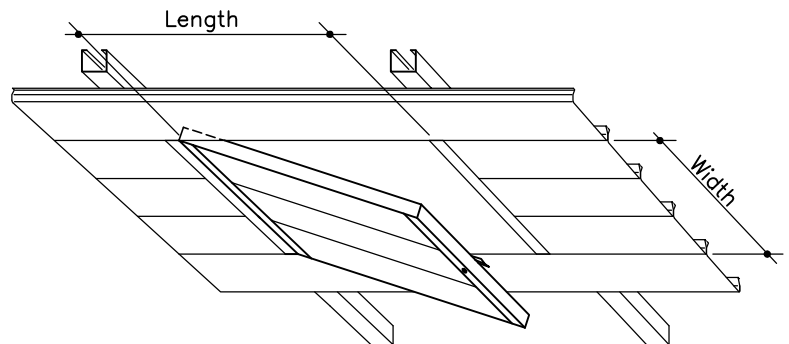
### DOWNLIGHT OR LOUDSPEAKER PANEL

Ø According to order  
or perforated on the  
whole bottom  
Ø3.5/25 %



### SERVICE HATCH

SERVICE HATCH No.	LENGTH x WIDTH (opening in the ceiling)
81A	300 x 300
81B	600 x 600



### THEORETICAL NEED OF SUSPENSION STRUCTURES

Product	Need of material
Carrier No. 45, 47	1.2 - 1.6 m/m <sup>2</sup>
Carrier lock	1 pcs / carrier meter
L-list No. 50	0.8 - 1.4 m/m <sup>2</sup>
Z-list No. 51B	0.8 - 1.4 m/m <sup>2</sup>

### WEIGHT OF PANELS KG / M<sup>2</sup>

	KS-100		KS-150		
Material	0.5 Al	0.5 steel	0.5 Al	0.7 Al	0.5 steel
Weight	2.03	6.00	1.80	2.52	5.33

### WEIGHT OF OTHER CEILING MATERIALS

Product	Weight of material
Mineral wool in plastic	0.52 kg/m <sup>2</sup>
Carrier No. 45 or 47	0.83 kg/m
Carrier lock	0.08 kg/pcs
L-list No. 50 (1.0 Al)	0.21 kg/m
Z-list No. 51B (1.0 Al)	0.15 kg/m

Latest information: [www.lautex.com](http://www.lautex.com)

All products are subject to modifications without prior notice 2011