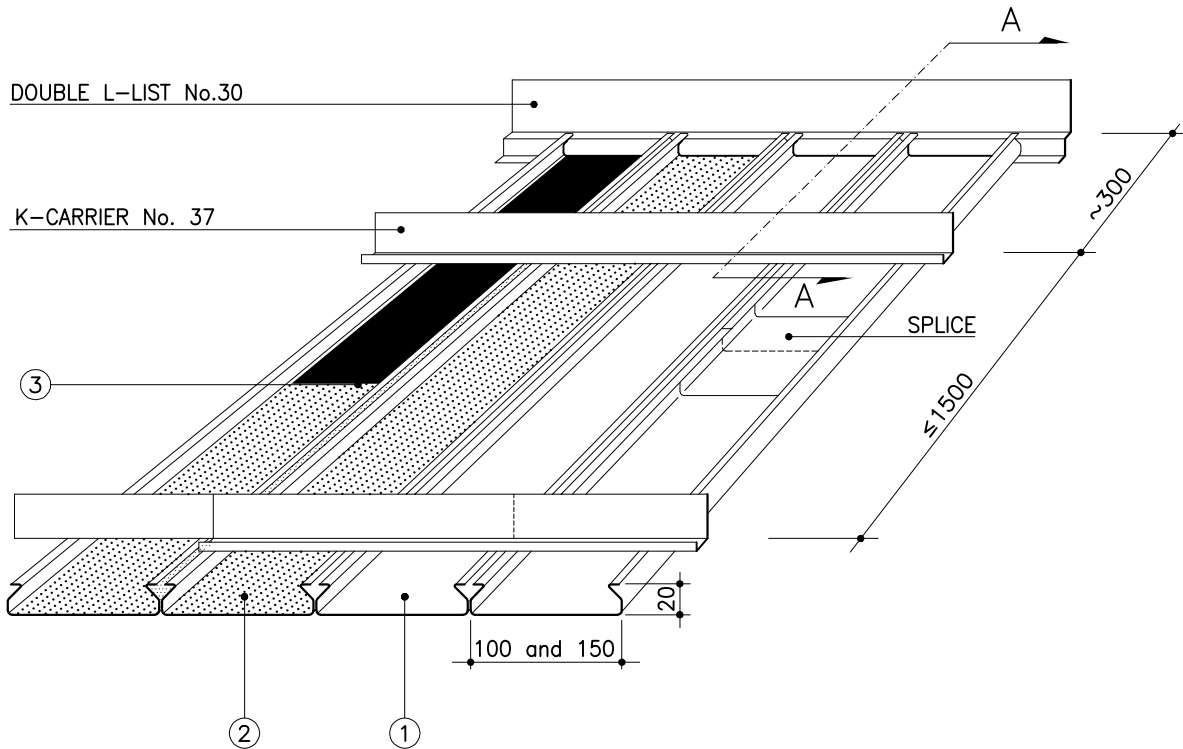
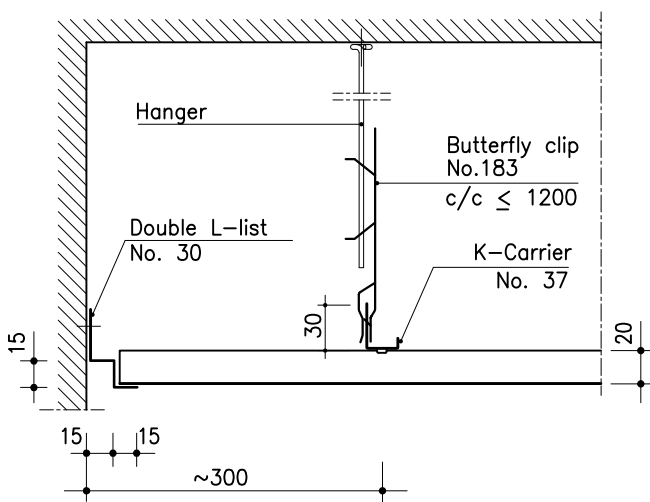


PANEL LAUTEX KS-100 AND -150



- ① = KS; unperforated without acoustic inlay
- ② = KSR; perforated on the bottom
- ③ = KSRT; perforated and acoustic inlay



KS-PANEL

Material	0.5 mm Al
Width	100 and 150 mm
Height	20 mm
Length	1250-6500 mm
Perforation	∅2.0 mm
Inlay	acoustic felt
Finish	stove enamelled

OTHER ALTERNATIVES

Material	0.7 mm Al, 0.5 Steel
Length	<1250 mm
Perforation	∅1.1 mm (only KSR-100) or ∅3.5 mm
Inlay	wool in plastic
Finish	for example, high gloss anodized (Al)
Other special solutions	please contact our technical information department

STRUCTURAL DETAILS SEE LEAFLET 6.1

All products are subject to modifications without prior notice.
2011