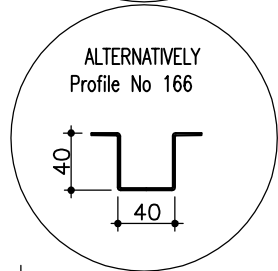
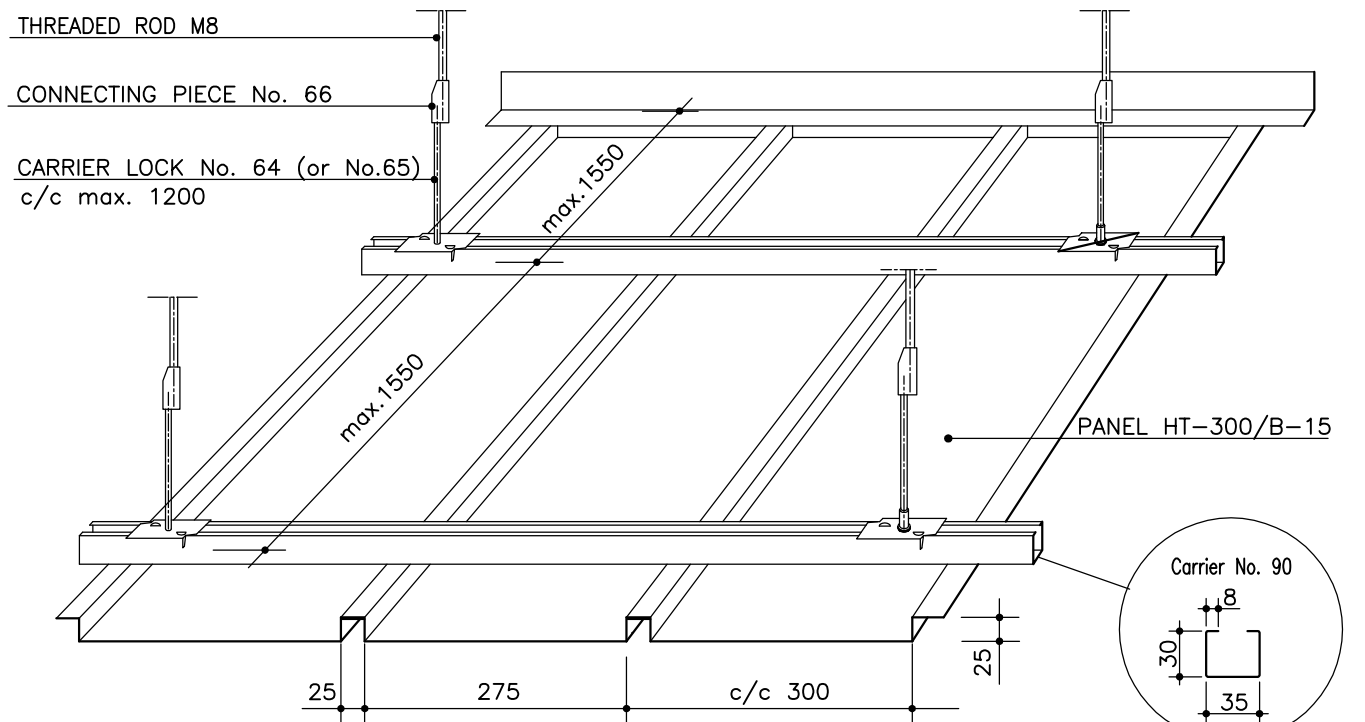
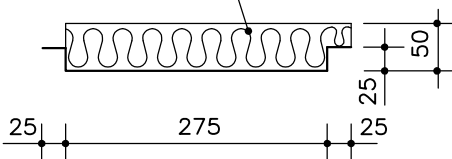


MARINE PANEL LAUTEX HT-300 / B-15 / A-30 DECK



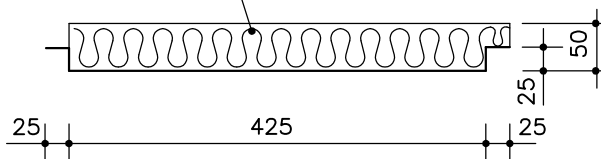
HT-300/B-15

Rockwool 50mm
density 80kg/m³



HT-FITTING PANEL/B-15

Rockwool 50mm
density 80kg/m³



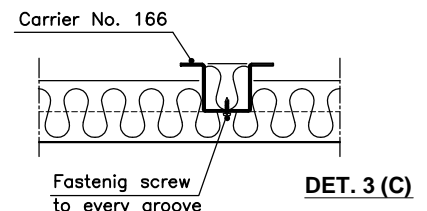
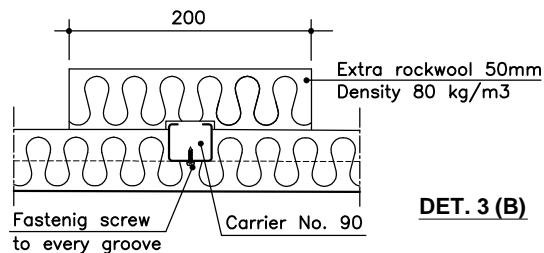
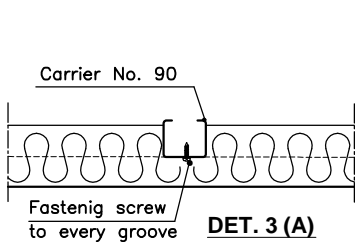
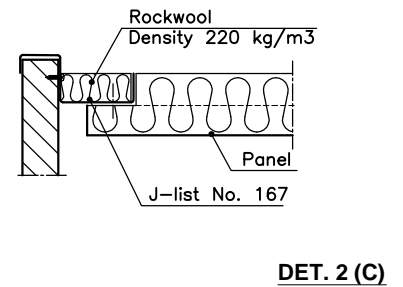
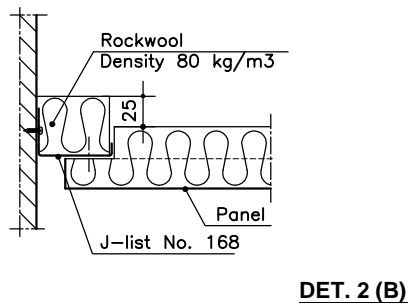
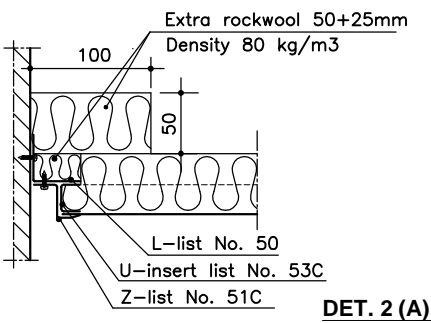
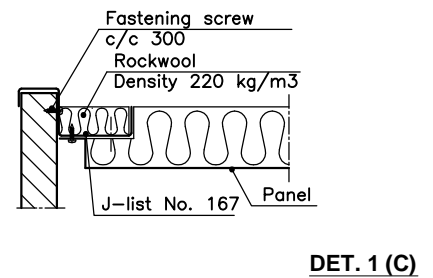
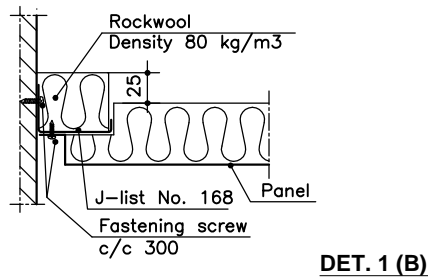
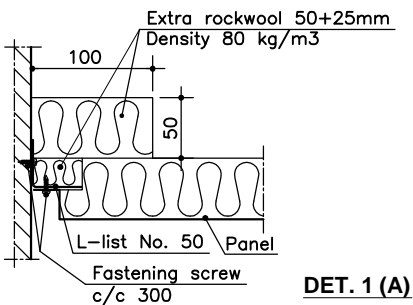
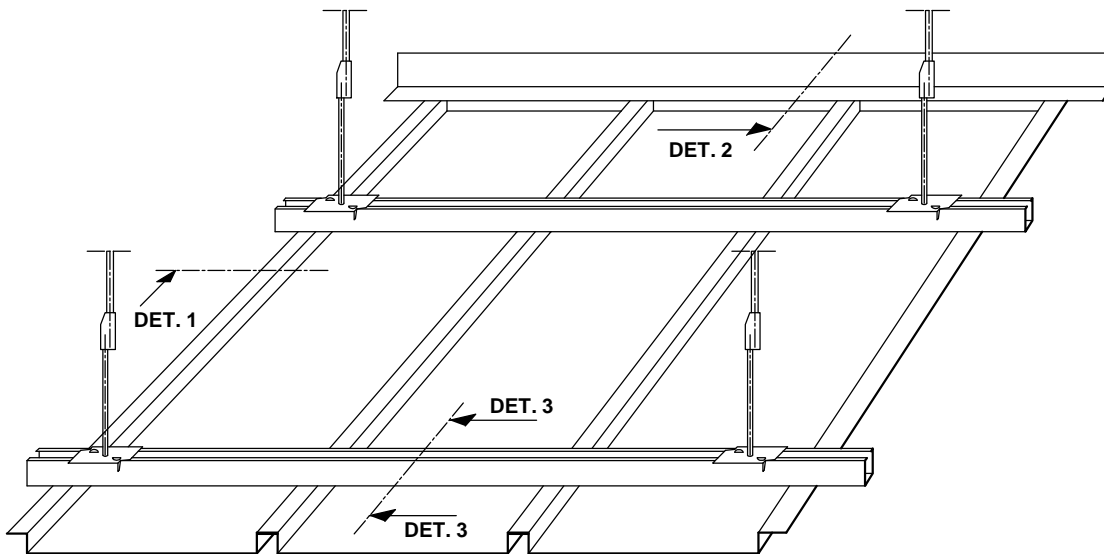
HT-300 PANELS / CLASSIFICATION "B-15"

Material	0.5 Fe, 0.6 Steel
Width	200 mm, 300 mm, fittings max. 450 mm
Height	25 mm (50mm with insulation)
Length	max 6500 mm
Insulation	rockwool, density 80 kg/m ³ , s=50
Finish	stove enamelled according to LTX-colour card or any other well-known colour charts
Protective film	the surface is provided with a protective film
End bendings	standard
Extra rockwool	density 80 kg/m ³
Other special solutions	please contact our technical information department

Latest information: www.lautex.com

All products are subject to modifications without prior notice 2011

MARINE PANEL LAUTEX HT-300 / B-15 / A-30 DECK

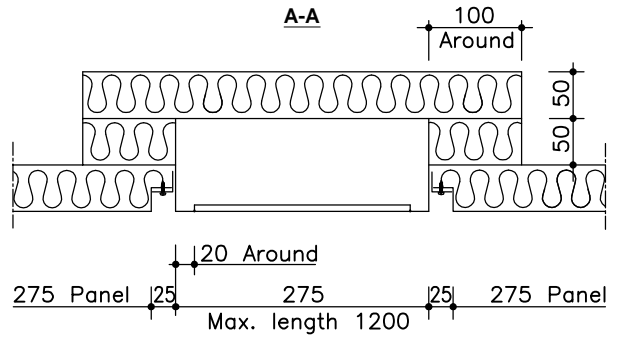
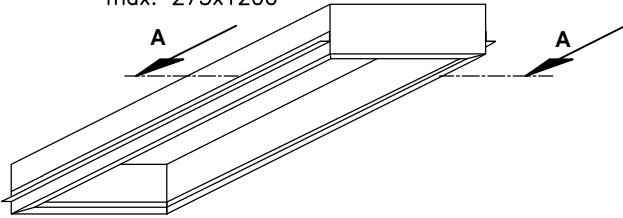


Latest information: www.lautex.com
All products are subject to modifications without prior notice 2011

MARINE PANEL LAUTEX HT-300 / B-15 / A-30 DECK

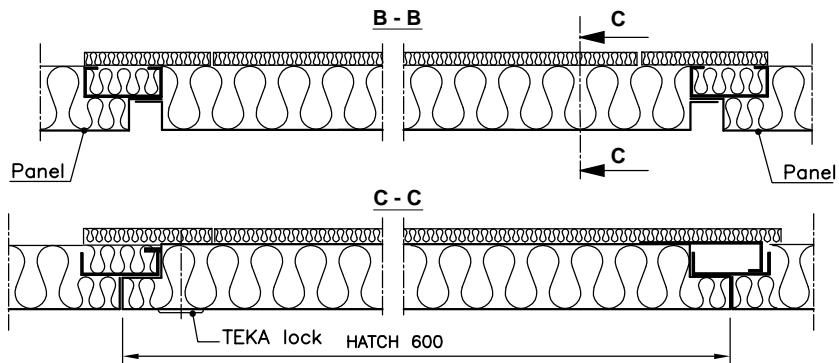
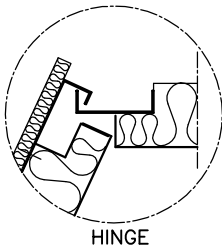
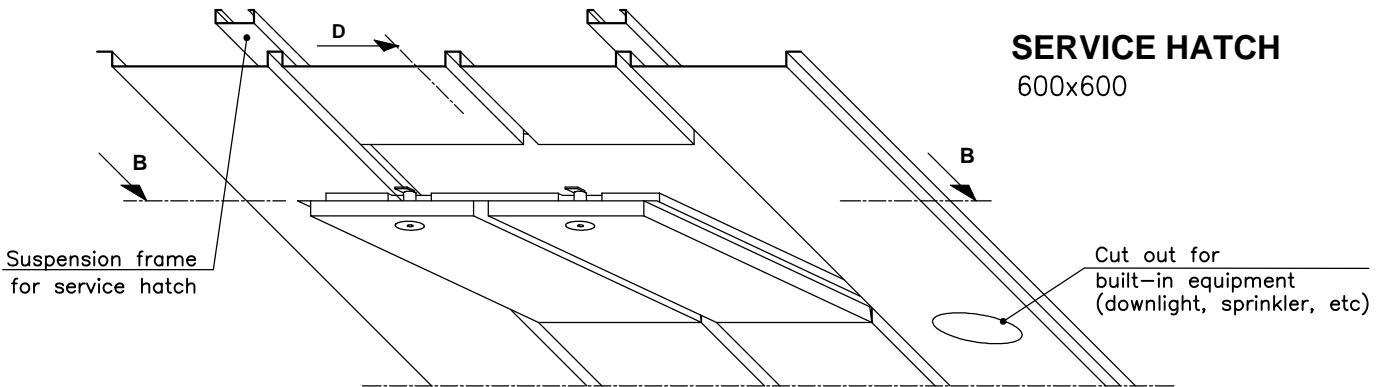
DOWN LIGHT/LOUDSPEAKER UNIT

max. 275x1200

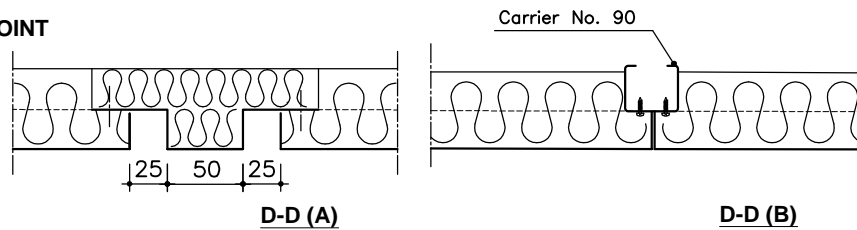


SERVICE HATCH

600x600



PANEL JOINT

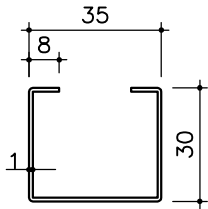


Latest information: www.lautex.com

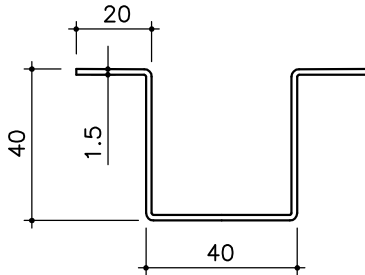
All products are subject to modifications without prior notice 2011

MARINE PANEL LAUTEX HT-300 / B-15 / A-30 DECK ACCESSORIES

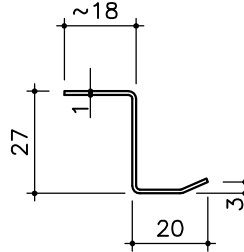
No. 90. CARRIER



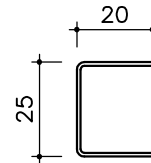
No. 166. CARRIER



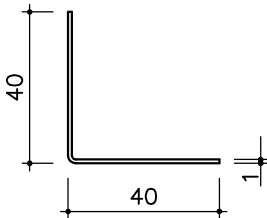
No. 51c. Z-LIST



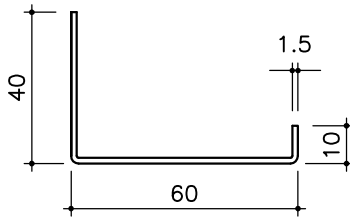
No. 53 C U-INSERT LIST



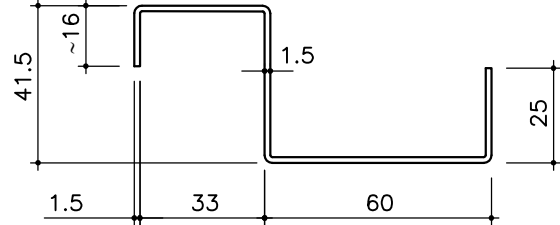
No. 50. L-LIST



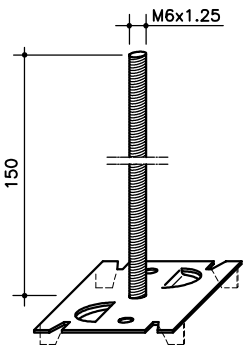
No. 168. J-LIST



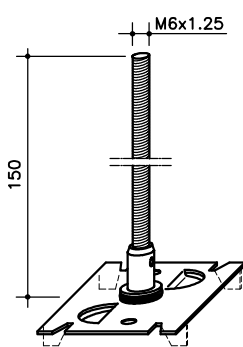
No. 167. J-LIST



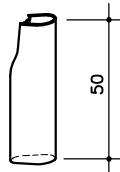
CARRIER LOCK
No. 64



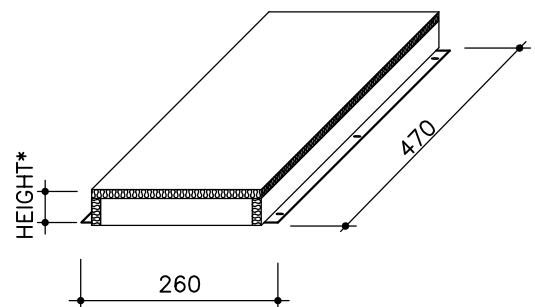
CARRIER LOCK
No. 65
VIBRATION INSULATED



CONNECTING PIECE
No. 66



Box above the equipments



* 45-80mm

THEORETICAL NEED OF SUSPENSION STRUCTURES

Product	Need of material
Carrier No. 90	1.2 - 1.6 m/m ²
Carrier lock	1 pcs / carrier meter
L-list No. 50	0.8 - 1.4 m/m ²
Z-list No. 51C	0.8 - 1.4 m/m ²
Screw 4.2x13 No.75	~7 pcs /m ²

WEIGHT OF PANELS KG / M²

Panel	HT-300/B-15	
Material	0.5 steel	0.6 steel
Weight *	8.77	9.92

WEIGHT OF OTHER CEILING MATERIALS

Extra rockwool	4.00 kg/m ²
Carrier No. 90	0.83 kg/m
Carrier lock	0.08 kg/pcs
L-list No. 50 (1.0 steel)	0.64 kg/m
Z-list No. 51C (1.0 steel)	0.52 kg/m

Latest information: www.lautex.com

All products are subject to modifications without prior notice 2011