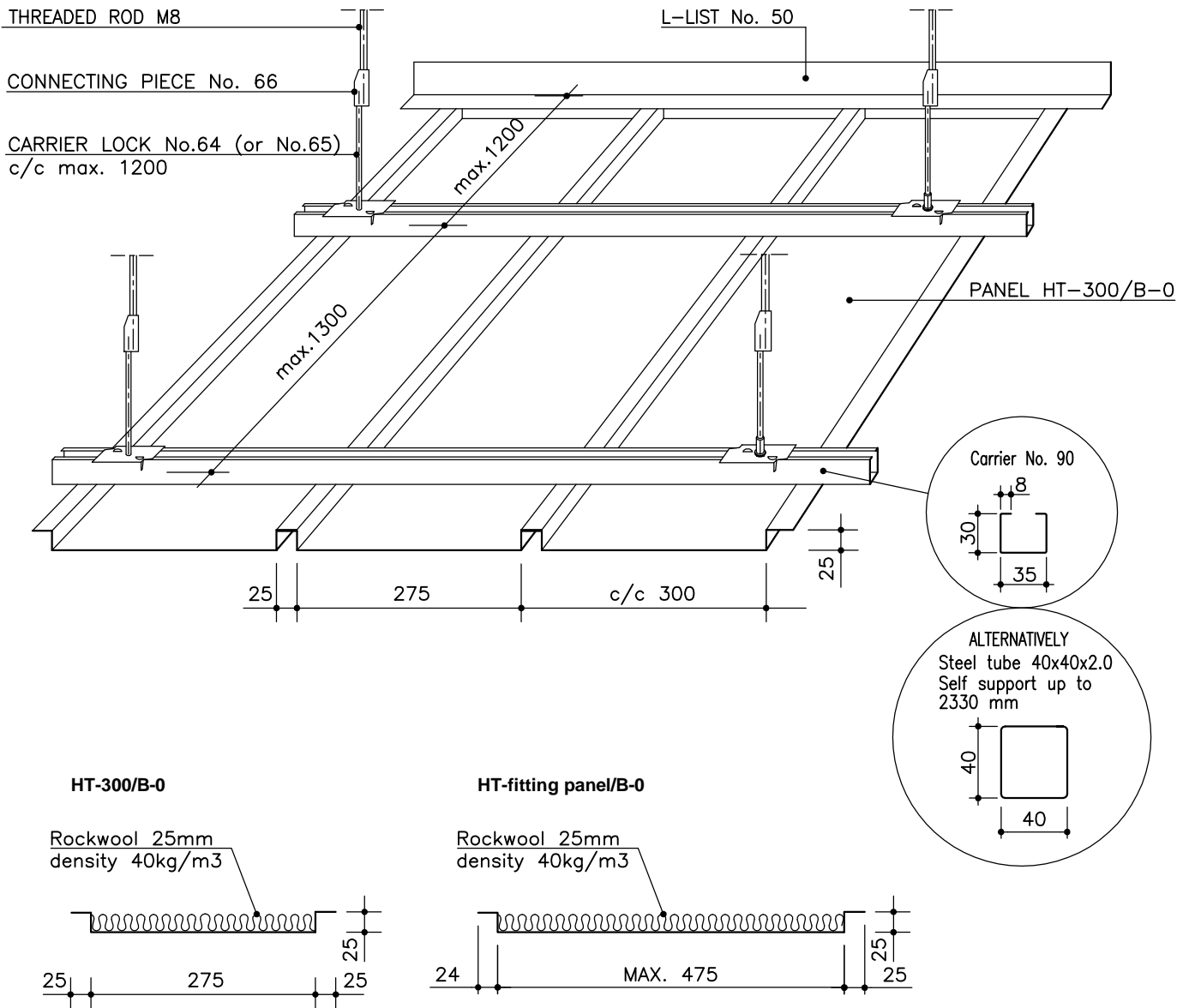


MARINE PANEL LAUTEX HT-300 / B-0 / A-15 DECK



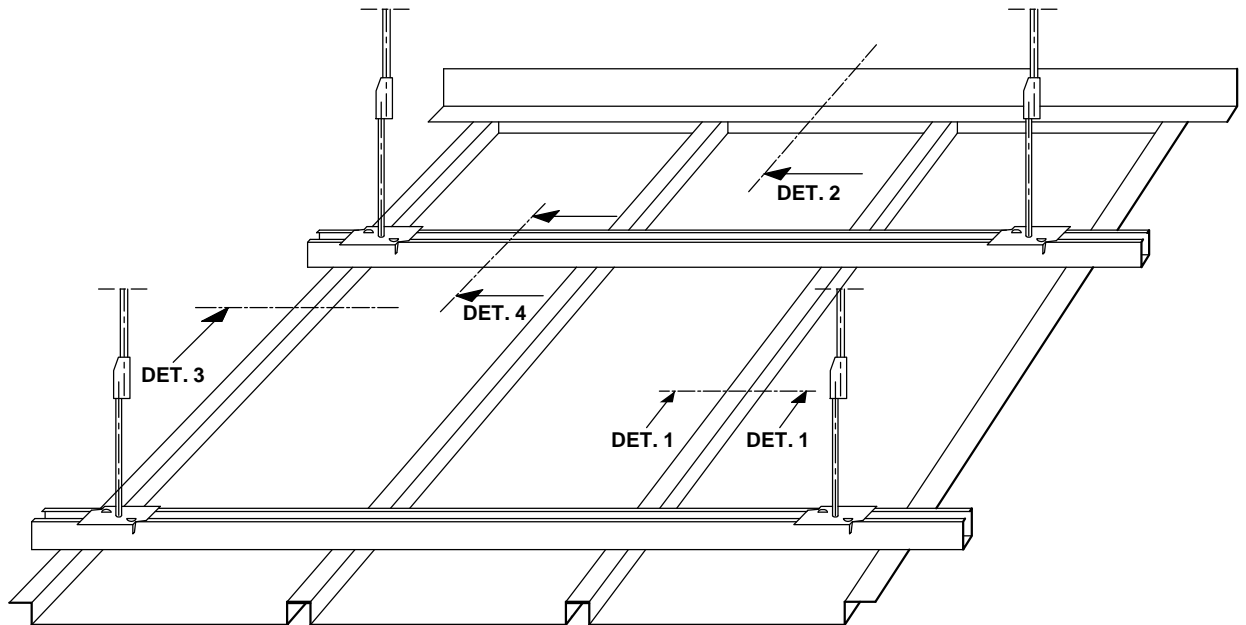
HT-300 PANELS / CLASSIFICATION "B-0"

Material	0.6 Steel
Width	200 mm, 300 mm, fittings max 500mm
Height	25 mm
Length	max 6500 mm, fittings max 4000mm
Insulation	rockwool, density 40 kg/m ³ , s=25
Finish	stove enamelled according to LTX-colour card or any other well-known colour charts
Protective film	the surface is provided with a protective film
End bendings	standard
Other special solutions	please contact our technical information department

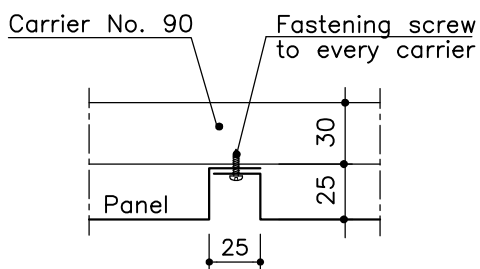
Latest information: www.lautex.com

All products are subject to modifications without prior notice 2011

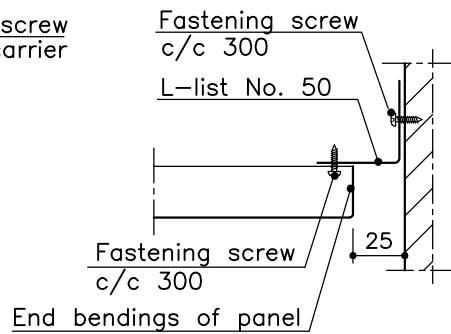
MARINE PANEL LAUTEX HT-300 / B-0 / A-15 DECK



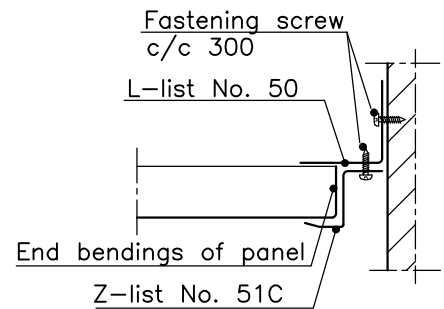
DET. 1



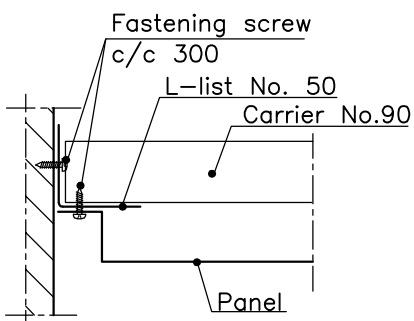
DET. 2 (ALT. 1)



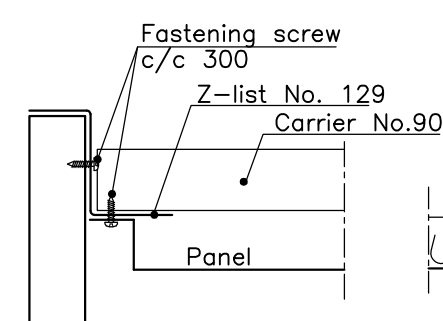
DET. 2 (ALT. 2)



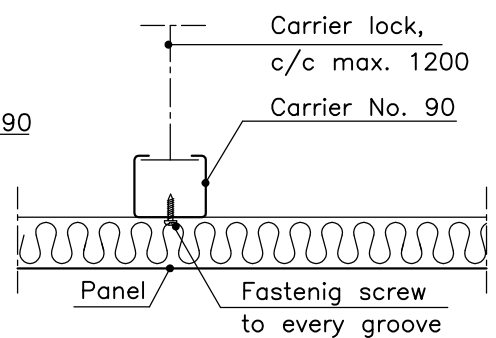
DET. 3 (ALT. 1)



DET. 3 (ALT. 2)



DET. 4



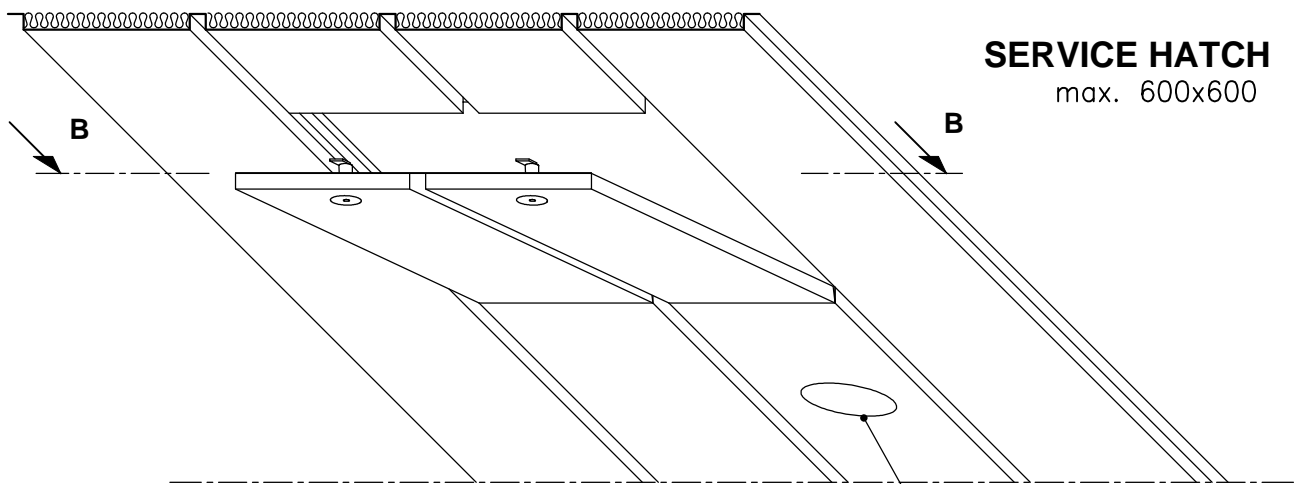
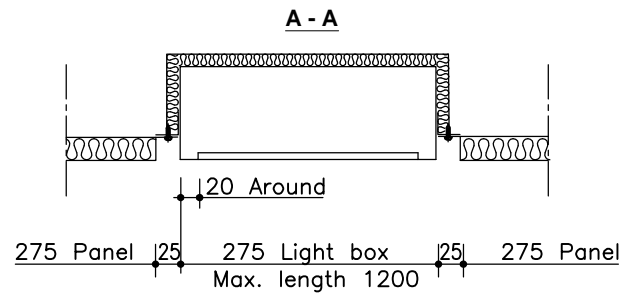
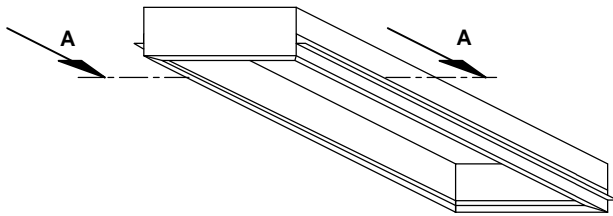
Latest information: www.lautex.com

All products are subject to modifications without prior notice 2011

MARINE PANEL LAUTEX HT-300 / B-0 / A-15 DECK

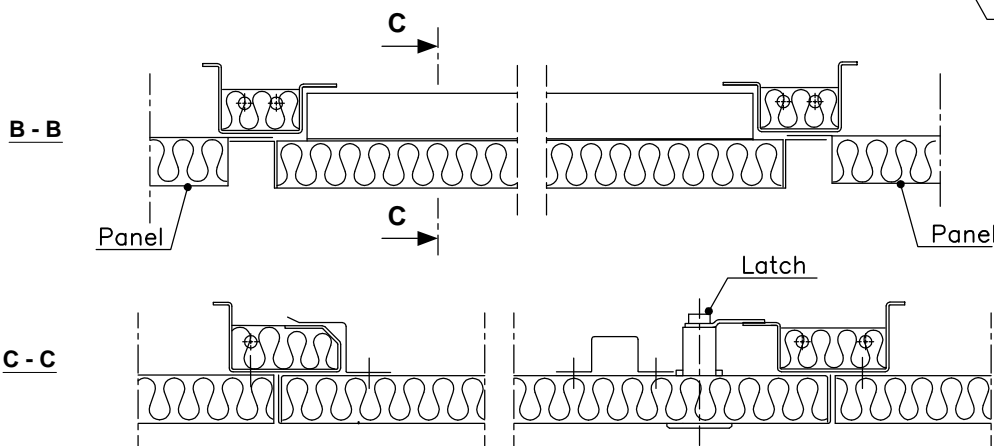
DOWN LIGHT BOX

max. 275x1200



SERVICE HATCH

max. 600x600



THEORETICAL NEED OF SUSPENSION STRUCTURES

Product	Need of material
Carrier No. 90	0.8 m/m ²
Carrier lock	1 pcs / carrier meter
L-list No. 50	0.8 - 1.4 m/m ²
Z-list No. 51C	0.0 - 1.4 m/m ²
Screw 4.2X13 No.75	~8 pcs /m ²

WEIGHT OF OTHER CEILING MATERIALS

Carrier No. 90	0.83 kg/m
Carrier lock	0.08 kg/pcs
L-list No. 50 (1.0 steel)	0.64 kg/m
Z-list No. 51C (1.0 steel)	0.52 kg/m
Z-list No. 129 (1.0 steel)	0.83 kg/m

WEIGHT OF PANELS KG / M²

Panel	HT-300/B-0
Material	0.6 steel
Weight *	6.92

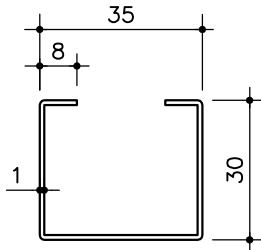
Latest information: www.lautex.com

All products are subject to modifications without prior notice 2011

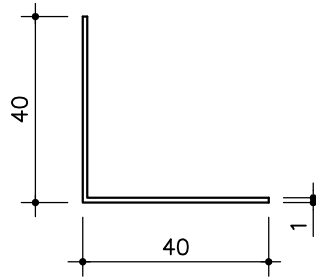
MARINE PANEL LAUTEX HT-300 / B-0 / A-15 DECK

ACCESSORIES

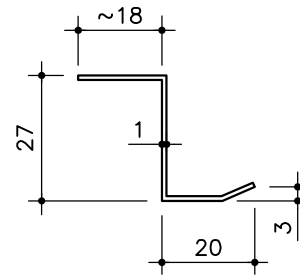
No. 90. CARRIER



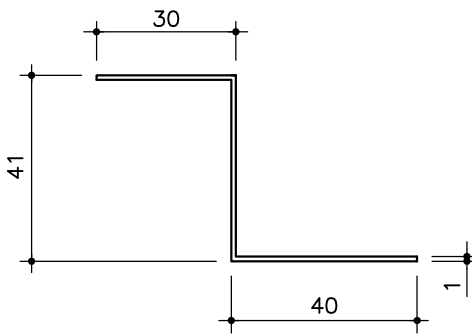
No. 50. L-LIST



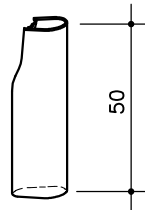
No. 51c. Z-LIST



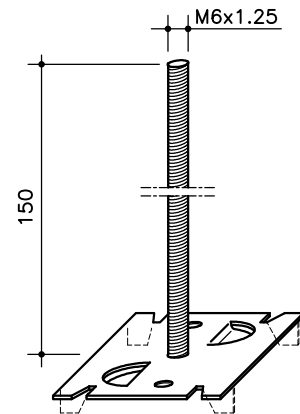
No. 129. L-LIST



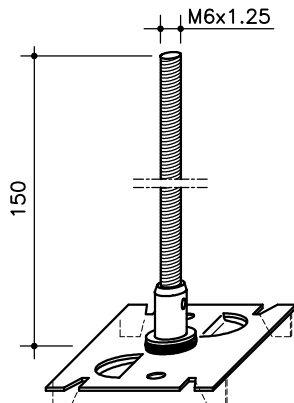
No. 66. CONNECTING PIECE



No. 64. CARRIER LOCK



No. 65. CARRIER LOCK
VIBRATION INSULATED



Latest information: www.lautex.com
All products are subject to modifications without prior notice 2011