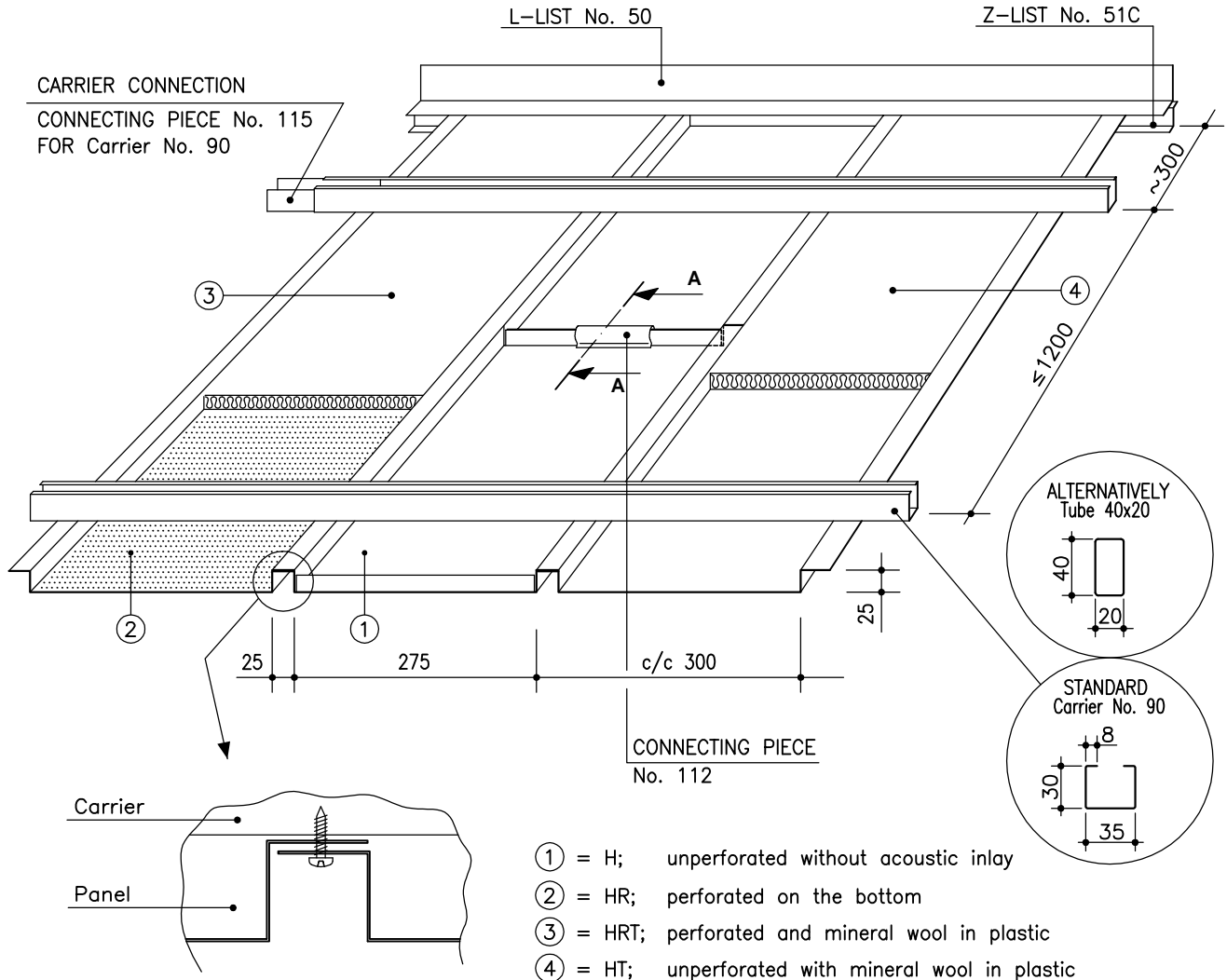


## MARINE PANEL LAUTEX H-300



### H-300 PANELS / CLASSIFICATION "C"

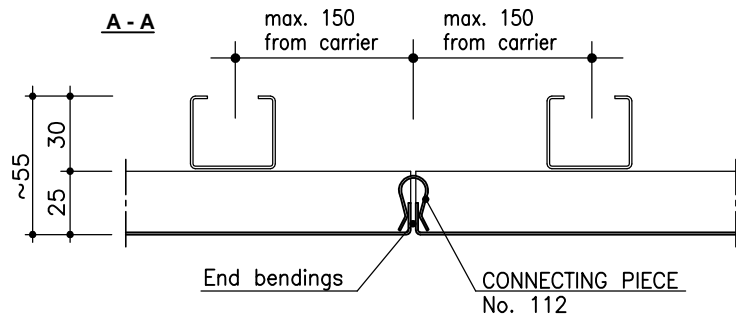
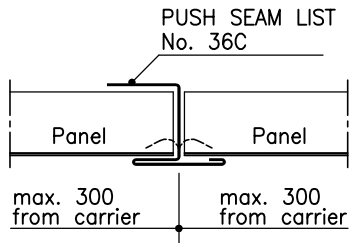
Material	0.7 Al, 0.6 Steel
Width	300 mm
Height	25 mm
Length	max 4000 mm
Perforation	Ø 3.5 mm, other alternatives see page 6/12
Inlay	mineral wool in plastic
Finish	stove enamelled (or anodized) according to LTX-colour card or any other well-known colour charts
Protective film	the surface is provided with a protective film if required
End bendings	standard for straight cut ends
Special shapes	Width according to order but max 600 mm Conical panels with max width 600 mm
Service hatch	see page 2
Loudspeaker panel	see page 2
Downlight unit	see page 2
Suspension	see "Suspension systems for panels"
Edge lists	see "Lists for panels"
Other special solutions	please contact our technical information department

Latest information: [www.lautex.com](http://www.lautex.com)

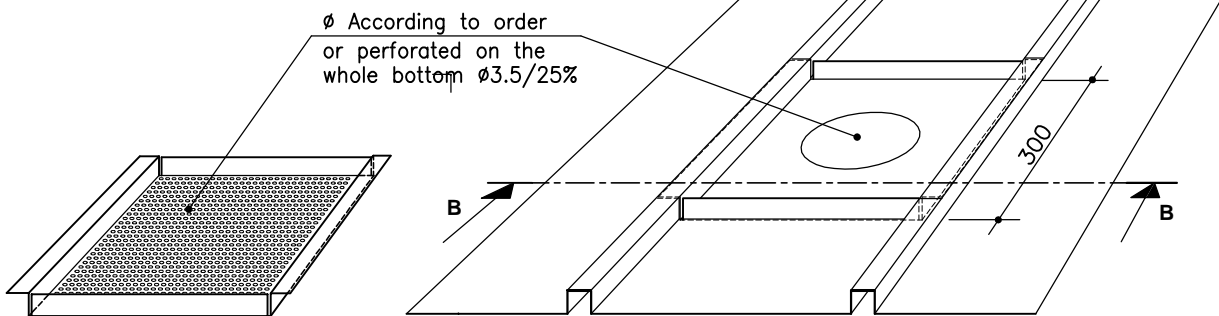
All products are subject to modifications without prior notice 2011

## MARINE PANEL LAUTEX H-300 INSTALLATION DETAILS AND ACCESSORIES

### SOLUTIONS OF PANEL CONNECTION

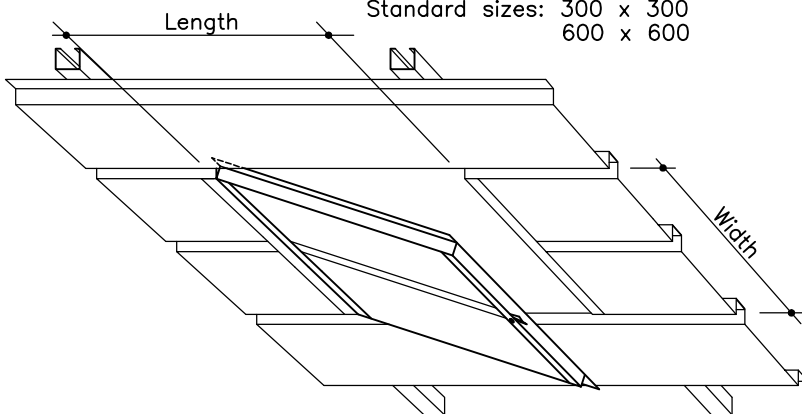


### LOUDSPEAKER OR DOWNLIGHT PANEL



### SERVICE HATCH

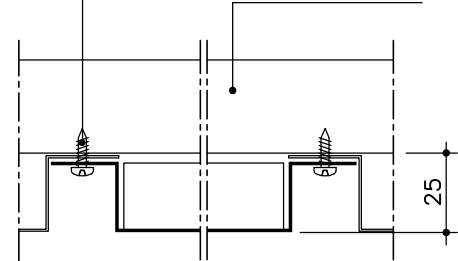
Length and width =  
Opening in the ceiling  
Standard sizes: 300 x 300  
600 x 600



### B - B

SCREW No. 72  
3.5x13 mm

CARRIER No. 90



### THEORETICAL NEED OF SUSPENSION STRUCTURES

Product	Need of material
Carrier No. 90	1.2 - 1.6 m/m <sup>2</sup>
Tube No. 56	1.2 - 1.6 m/m <sup>2</sup>
Carrier lock	1 pcs / carrier meter
L-list No. 50	0.8 - 1.4 m/m <sup>2</sup>
Z-list No. 51C	0.8 - 1.4 m/m <sup>2</sup>
U-insert list No. 53C	0.8 - 1.4 m/m <sup>2</sup>

### WEIGHT OF PANELS KG / M<sup>2</sup>

H-300		
Material	0.7 Al	0.6 Steel
Weight	2.33	5.92

### WEIGHT OF OTHER CEILING MATERIALS

Product	Weight of material
Mineral wool in plastic	0.52 kg/m <sup>2</sup>
Carrier No. 90	0.83 kg/m
Support tube 40x20	1.37 kg/m
Carrier lock	0.08 kg/pcs
L-list No. 50 (1.0 Al)	0.21 kg/m
Z-list No. 51C (1.0 Al)	0.16 kg/m
U-insert list No. 53C (0.7 Al)	0.12 kg/m

Latest information: [www.lautex.com](http://www.lautex.com)

All products are subject to modifications without prior notice 2011