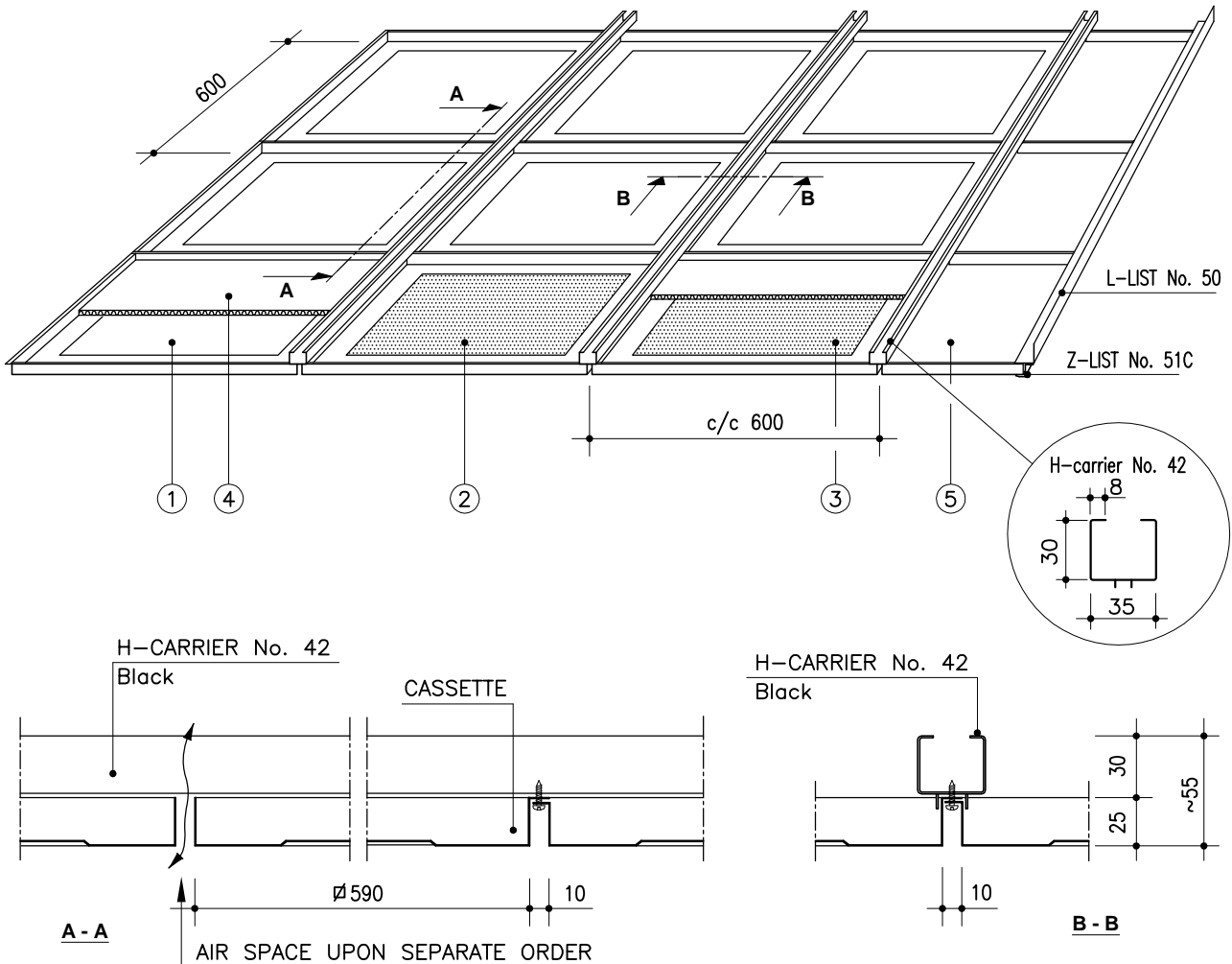


MARINE CASSETTE LAUTEX FL-600



FL-600 CASSETTES / CLASSIFICATION "C"

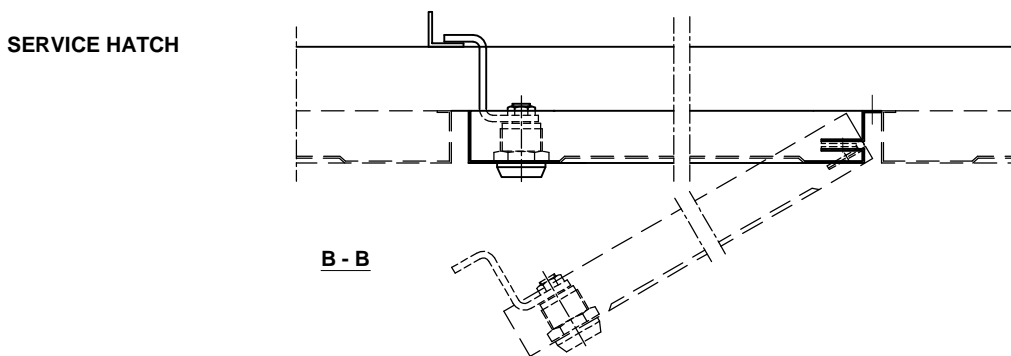
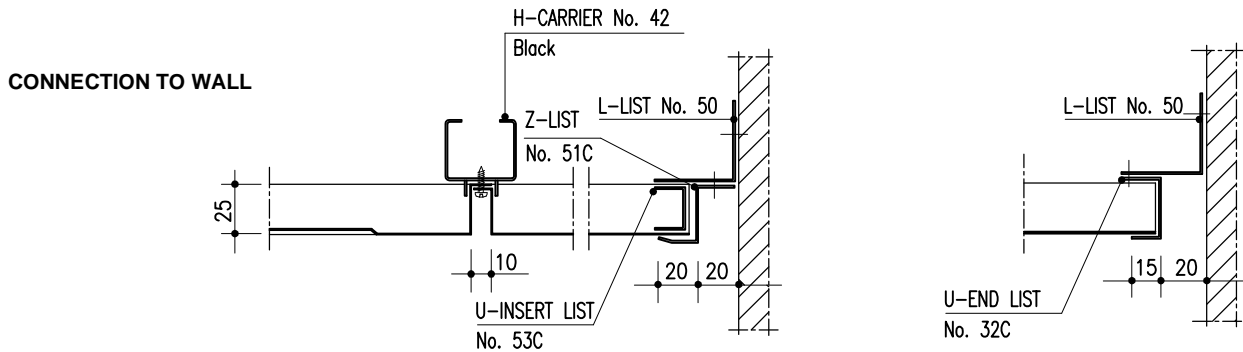
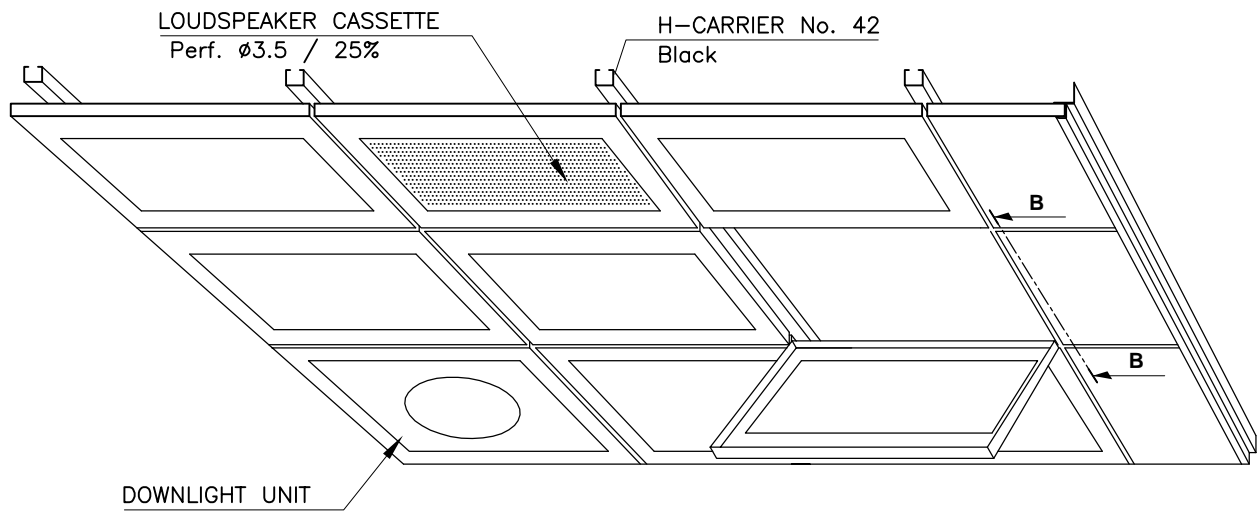
Material	0.7 Al (0.5 Steel)
Module	600x600 mm
Height	25 mm
Perforation	Ø2.0 mm or Ø3.5 mm
Inlay	mineral wool in plastic or acoustic felt
Finish	stove enamelled (or anodized aluminium) according to LTX-colour card or any other well-known colour charts
Ventilation	installation also with air space 10mm
Protective film	the surface is provided with a protective film if required
Service hatch	see page 2
Loudspeaker	perforated cassette with Ø3.5mm / 25% area
Edge lists	see "Lists-01" and "Lists-02"
Downlight unit	see page 2
Suspensions	see "Suspensions for L-type cassettes"
Other special solutions	please contact our technical information department

- ① = FL-600; unperforated without acoustic inlay
- ② = FLR-600; perforated without acoustic inlay
- ③ = FLRT-600; perforated, with mineral wool in plastic
- ④ = FLT-600; unperforated, with mineral wool in plastic
- ⑤ = NL-600; fitting cassette NL-600 (0.7 Al)

Latest information: www.lautex.com

All products are subject to modifications without prior notice 2011

MARINE CASSETTE LAUTEX FL-600 INSTALLATION DETAILS AND ACCESSORIES



THEORETICAL NEED OF SUSPENSION STRUCTURES

Product	Need of material
Carrier No. 42	1.8 m/m ²
Carrier locks	4 pcs/m ²
L-list No. 50	0.8 - 1.4 m/m ²
Z-list No. 51C	0.8 - 1.4 m/m ²

WEIGHT OF CEILING

Cassette	FL-600
Material	0.7 Al
Weight	2.2 Kg/m ²

WEIGHT OF OTHER CEILING MATERIALS

Product	Weight of material
Carrier No. 42 (1.0 Steel)	0.83 kg/m
Carrier locks	80 g/pcs
L-list No. 50 (1.0 Al)	0.21 kg/m
Z-list No. 51C (1.0 Al)	0.15 kg/m
Mineral wool in plastic	0.52 kg/m ²

Latest information: www.lautex.com

All products are subject to modifications without prior notice 2011