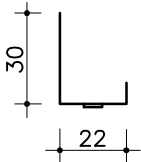
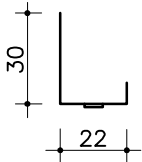
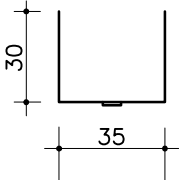
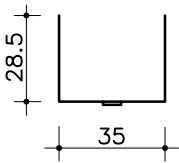
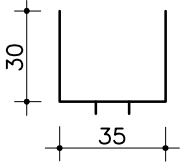
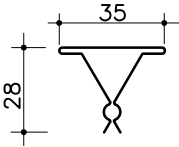
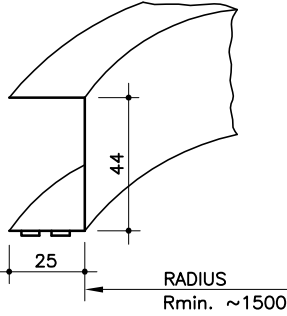
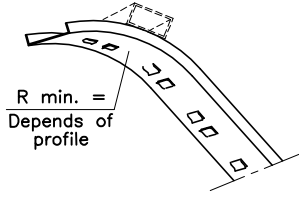
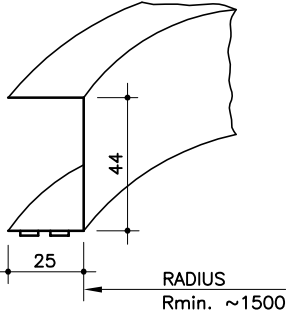


LTX-SUSPENSION CARRIERS LTX-KANNATUSKISKOT

Length=3000, Material: Steel

<p>No. 37 K-CARRIER K-KISKO</p>  <p>1.0 Steel 0.44 kg/m</p>	<p>No. 38 PR-CARRIER PR-KISKO</p>  <p>1.0 Steel 0.44 kg/m</p>	<p>No. 39 PR-CARRIER 45° PR-KISKO 45°</p>  <p>1.0 Steel 0.76 kg/m</p>
<p>No. 40 UP-CARRIER WITH LOCKING CLIP UP-KISKO SALVALLA</p>  <p>0.75 Steel 0.54 kg/m</p>	<p>No. 41 H-CARRIER JAKOKISKO</p>  <p>0.75 Steel (1.2 AL) 0.54 kg/m (0.29 kg/m)</p>	<p>No. 54 SPRING-T-CARRIER KOLMIOKISKO</p>  <p>0.5 Steel, L=4000 0.44 kg/m</p>
<p>No. 87 BENT K-CARRIER KAAREVA K-KISKO</p>  <p>THE WIDTH AND c/c OF THE PANEL CAN BE CHOSEN FREELY PANEELIN LEVEYS JA JAKO VOIDAAN VALITA VAPAASTI</p> <p>1.0 Steel, L=3000 0.72 kg/m</p>	<p>No. 88 BENT PR-CARRIER KAAREVA PR-KISKO</p>  <p>1.0 Steel 0.44 kg/m</p>	<p>No. 89 BENT PR-CARRIER KAAREVA PR-KISKO</p>  <p>THE WIDTH AND c/c OF THE PANEL CAN BE CHOSEN FREELY PANEELIN LEVEYS JA JAKO VOIDAAN VALITA VAPAASTI</p> <p>1.0 Steel, L=3000 0.72 kg/m</p>

All products are subject to modifications without prior notice. 2011