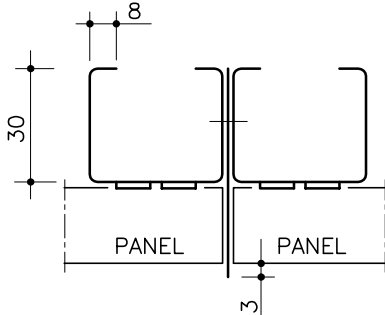
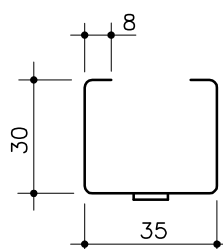
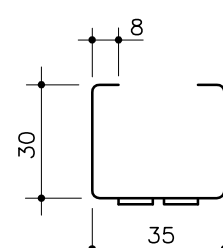
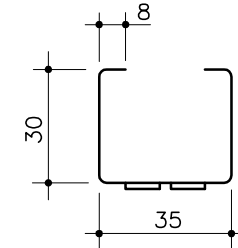
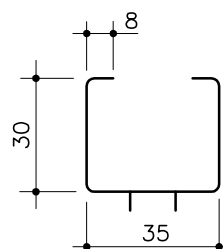
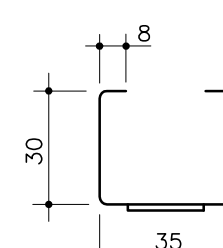
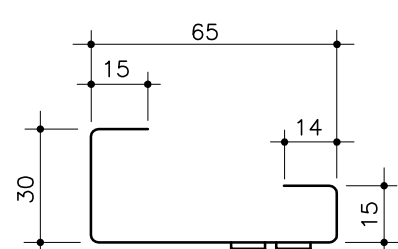
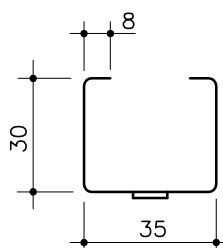


LAUTEX CARRIERS

Material: Steel, Length=3000

PAGE 1/3

No. 39 PR-CARRIER 45° INSTALLATION			No. 44 PR-CARRIER			No. 46 K-SEAM CARRIER																															
CARRIER No.	PROFILE'S WIDTH	c/c	CARRIER No.	PROFILE'S WIDTH	c/c	CAN BE USED FOR CARRIERS No. 45 AND 47																															
39C	50	60	44A	30	40																																
39D	60	70	44B	40	50	 <p>1.0 steel 2.10 kg/m</p>																															
39E	70	80	44C	50	60																																
39F	80	90	44D	60	70																																
39G	90	100	44E	70	80																																
39H	100	110	44F	80	90																																
39J	135	145	44G	90	100																																
39K	140	150	44H	100	110																																
39L	180	190	44J	135	145																																
39M	190	200	44K	140	150																																
39N	280	290	44L	180	190																																
39P	290	300	44M	190	200																																
39X	ACCORDING TO ORDER BUT ≥ 50 mm	ACCORDING TO ORDER BUT MIN. AIR SPACE 10 mm	44N	280	290																																
			44P	290	300																																
			44X	ACCORDING TO ORDER	ACCORDING TO ORDER BUT MIN. AIR SPACE 10 mm																																
 <p>1.0 steel 0.83 kg/m</p>			 <p>1.0 steel 0.83 kg/m</p>				<p>No. 47 STANDARD K-CARRIER FOR B0/B15 AND C-CLASS CEILINGS</p>  <p>1.0 steel 0.83 kg/m</p>																														
<p>No. 42 H-CARRIER</p>  <p>1.0 steel 0.83 kg/m</p>			<p>No. 45 K-CARRIER INSTALLATION WITH AIR SPACE</p> <table border="1"> <thead> <tr> <th>CARRIER No.</th> <th>PANEL'S WIDTH</th> <th>c/c</th> </tr> </thead> <tbody> <tr><td>45A</td><td>100</td><td>105</td></tr> <tr><td>45B</td><td>100</td><td>110</td></tr> <tr><td>45C</td><td>150</td><td>155</td></tr> <tr><td>45D</td><td>150</td><td>160</td></tr> <tr><td>45E</td><td>200</td><td>205</td></tr> <tr><td>45F</td><td>200</td><td>210</td></tr> <tr><td>45G</td><td>300</td><td>305</td></tr> <tr><td>45H</td><td>300</td><td>310</td></tr> <tr><td>45X</td><td>X</td><td>X</td></tr> </tbody> </table>  <p>1.0 steel 0.83 kg/m</p>				CARRIER No.	PANEL'S WIDTH	c/c	45A	100	105	45B	100	110	45C	150	155	45D	150	160	45E	200	205	45F	200	210	45G	300	305	45H	300	310	45X	X	X	<p>No. 48 STANDARD K-WALL CARRIER FOR B0/B15 AND C-CLASS CEILINGS</p>  <p>1.0 steel 1.04 kg/m</p>
CARRIER No.	PANEL'S WIDTH	c/c																																			
45A	100	105																																			
45B	100	110																																			
45C	150	155																																			
45D	150	160																																			
45E	200	205																																			
45F	200	210																																			
45G	300	305																																			
45H	300	310																																			
45X	X	X																																			
<p>No. 43 UP-CARRIER</p>  <p>1.0 steel 0.83 kg/m</p>																																					

Latest information: www.lautex.com

All products are subject to modifications without prior notice 2011

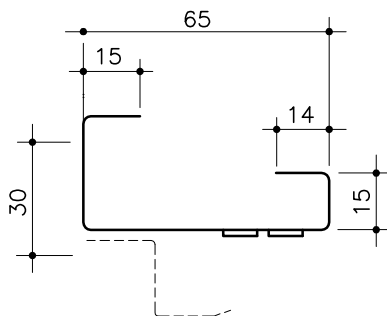
LAUTEX CARRIERS

Material: Steel, Length=3000

PAGE 2/3

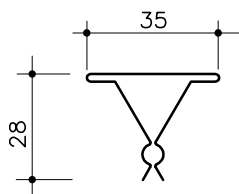
No. 49 K-WALL CARRIER INSTALLATION WITH AIR SPACE

CARRIER No.	PANEL'S WIDTH	c/c
49A	100	105
49B	100	110
49C	150	155
49D	150	160
49E	200	205
49F	200	210
49G	300	305
49H	300	310



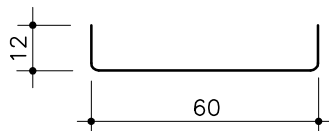
1.0 steel
1.04 kg/m

No. 54 SPRING-T-CARRIER



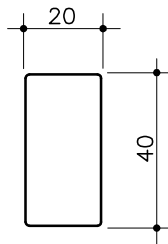
0.5 steel, L=4000
0.44 kg/m

No. 55 SUPPORT PROFILE



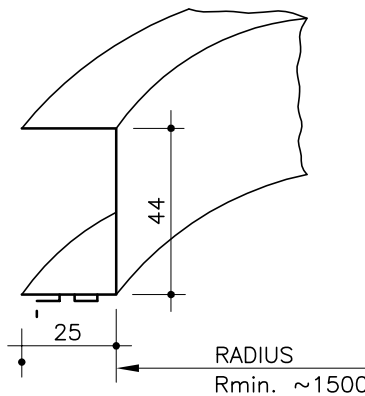
1.5 steel
0.96 kg/m

No. 56 SUPPORT TUBE



1.5 steel, L=6000, Painted
1.37 kg/m

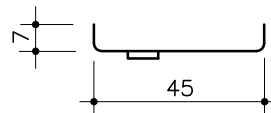
No. 87 BENT K-CARRIER



THE WIDTH AND c/c OF THE
PANEL CAN BE CHOSEN FREELY

1.0 steel, L=3000
0.72 kg/m

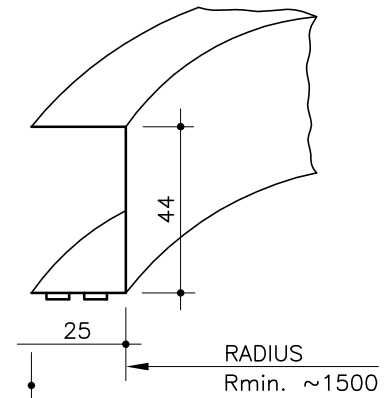
No. 88 BENT PR-CARRIER



R min. =
Depends of
profile

1.0 steel
0.44 kg/m

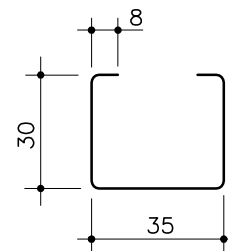
No. 89 BENT PR-CARRIER



THE WIDTH AND c/c OF THE
PROFILE CAN BE CHOSEN FREELY

1.0 steel, L=3000
0.72 kg/m

No. 90 SUSPENSION CARRIER



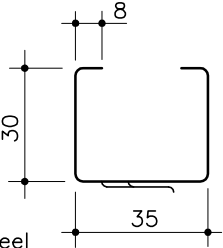
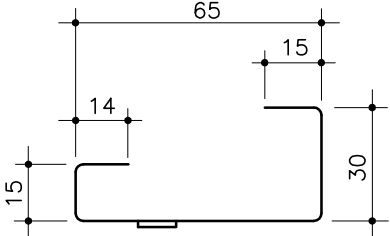
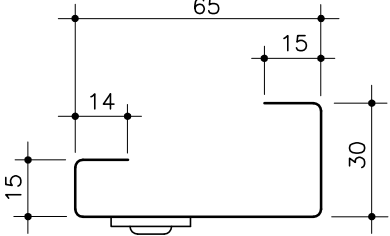
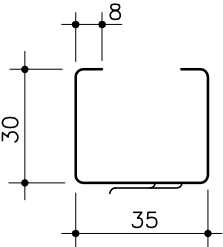
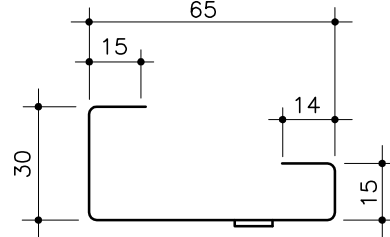
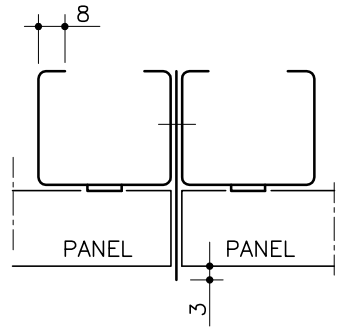
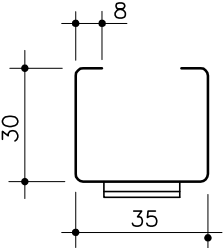
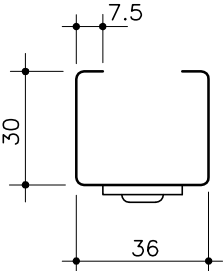
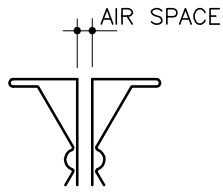
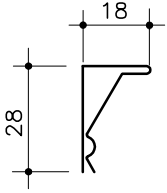
1.0 steel
0.83 kg/m

CARRIER No.	PROFILE'S WIDTH	c/c
88A	30	40
88B	40	50
88C	50	60
88D	60	70
88E	70	80
88F	80	90
88G	90	100
88H	100	110
88J	135	145
88K	140	150
88L	180	190
88M	190	200
88N	280	290
88P	290	300
88X	ACCORDING TO ORDER	ACCORDING TO ORDER BUT MIN. AIR SPACE 10 mm

LAUTEX CARRIERS

Carriers: Fe, L=3000

PAGE 3/3

<p>No. 91 UP-CARRIER 45° LEFT INSTALLATION</p>  <p>1.0 steel 0.83 kg/m</p>	<p>No. 96A UP-WALL CARRIER FOR RIGHT INSTALLATION</p>  <p>1.0 steel 1.04 kg/m</p>	<p>No. 98 UP-WALL CARRIER FOR BOTH HAND INSTALLATION FOR B0/B15 CEILINGS</p>  <p>1.0 steel 1.04 kg/m</p>										
<p>No. 92 UP-CARRIER 45° RIGHT INSTALLATION</p>  <p>1.0 steel 0.83 kg/m</p>	<p>No. 96B UP-WALL CARRIER FOR LEFT INSTALLATION</p>  <p>1.0 steel 1.04 kg/m</p>	<p>No. 100 UP-SEAM CARRIER CAN BE USED FOR CARRIER No. 43</p>  <p>1.0 steel 2.10 kg/m</p>										
<p>No. 94 NS-CARRIER FOR B0 AND C-CLASS CEILINGS</p>  <p>1.0 steel 0.83 kg/m</p>	<p>No. 97 UP-CARRIER FOR B0/B15 CEILINGS</p>  <p>1.0 steel 0.83 kg/m</p>	<p>No. 105 PRE-ASSEMBLED HALF SPRING-T-CARRIERS</p>  <table border="1" data-bbox="1109 1713 1316 1892"> <thead> <tr> <th>CARRIER No.</th> <th>AIR SPACE</th> </tr> </thead> <tbody> <tr> <td>105A</td> <td>3 mm</td> </tr> <tr> <td>105B</td> <td>4 mm</td> </tr> <tr> <td>105C</td> <td>5 mm</td> </tr> <tr> <td>105D</td> <td>6 mm</td> </tr> </tbody> </table> <p>0.6 steel, Length=4000 2.76 kg/m</p>	CARRIER No.	AIR SPACE	105A	3 mm	105B	4 mm	105C	5 mm	105D	6 mm
CARRIER No.	AIR SPACE											
105A	3 mm											
105B	4 mm											
105C	5 mm											
105D	6 mm											
<p>No. 95 HALF SPRING-T-CARRIER FOR INSTALLATION OF NJ-CASSETTES WITH AIR SPACE</p>  <p>0.6 steel, Length=4000 0.32 kg/m</p>												

Latest information: www.lautex.com

All products are subject to modifications without prior notice 2011