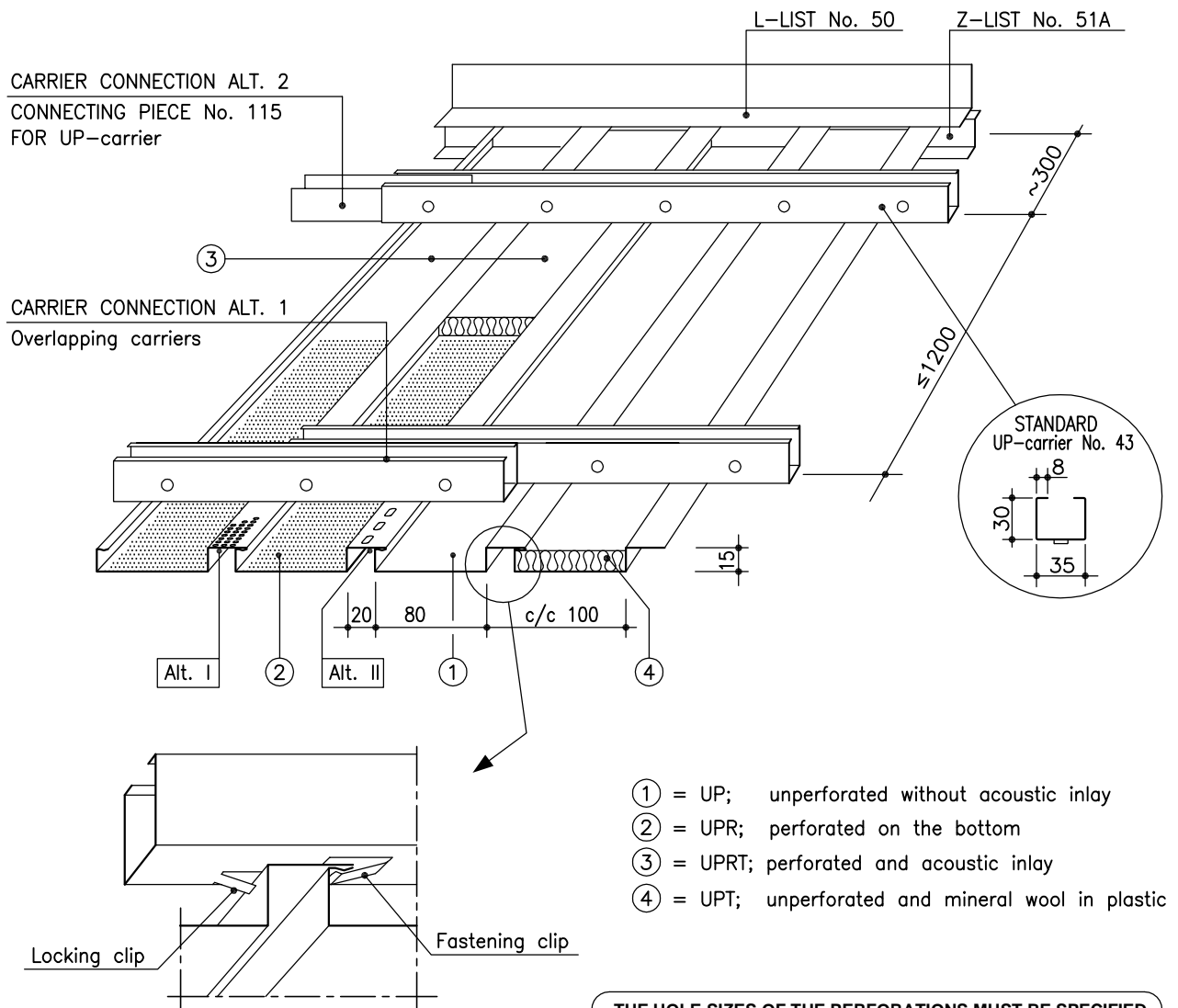


# MARINE PANEL LAUTEX UP-100



THE HOLE SIZES OF THE PERFORATIONS MUST BE SPECIFIED

## UP-100 PANELS / CLASSIFICATION "C"

Material	0.5 Al 0.5 Fe
Width	100 mm
Height	15 mm
Length	max 6500 mm
Perforation	∅ 2.0 mm, other alternatives see "Perforations"
Inlay	mineral wool in plastic or acoustic felt
Finish	stove enamelled (or anodized) according to LTX-colour card or any other well-known colour charts
Ventilation	alt I ∅ 3.5 mm, c/c 6.25 mm = 46 cm <sup>2</sup> /m alt II ∅ 5x7 mm, c/c 13 mm = 23 cm <sup>2</sup> /m
Protective film	the surface is provided with a protective film if required
Service hatch	see page 2
Loudspeaker panel	see page 2
Downlight unit	see page 2
Suspension	see page "Suspension systems for panels"
Edge lists	see page "Lists for panels"
Other special solutions	please contact our technical information department

Latest information: [www.lautex.com](http://www.lautex.com)

All products are subject to modifications without prior notice 2006



## OY LAUTEX AB

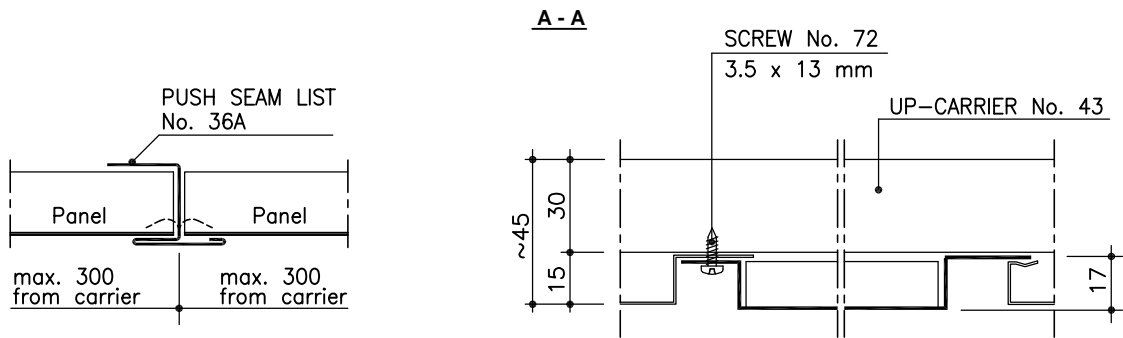
P.O. Box 58 FIN-03101 Nummela Finland  
Tel +358 (0)9 224 8810 Fax +358 (0)9 222 5447  
E-mail: [sales@lautex.com](mailto:sales@lautex.com) [www.lautex.com](http://www.lautex.com)



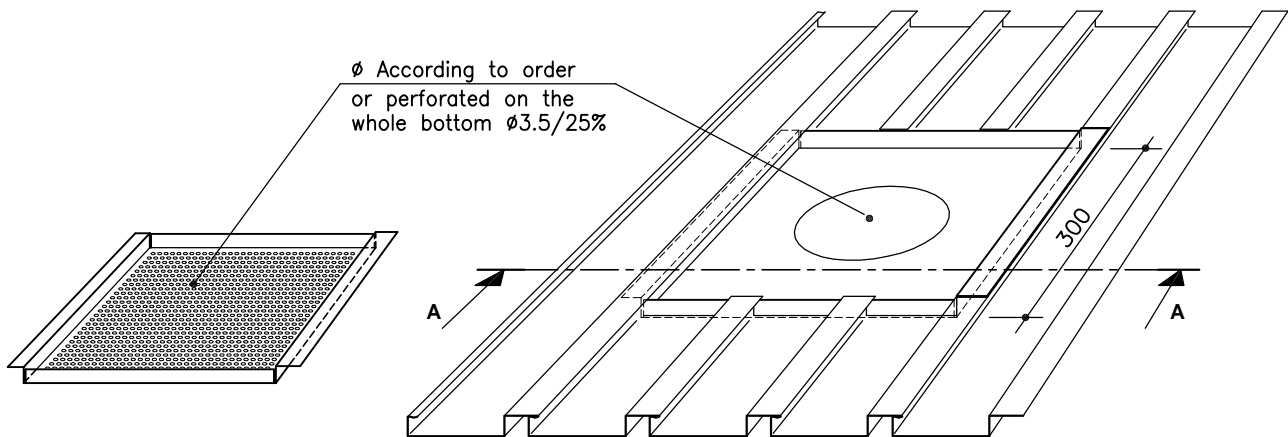
# MARINE PANEL LAUTEX UP-100

## INSTALLATION DETAILS AND ACCESSORIES

### SOLUTION OF PANEL CONNECTION

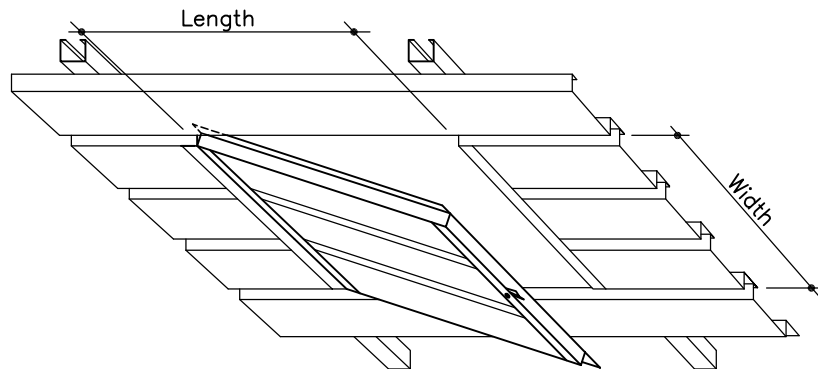


### LOUDSPEAKER OR DOWNLIGHT PANEL



### SERVICE HATCH

Length and width =  
Opening in the ceiling



### THEORETICAL NEED OF SUSPENSION STRUCTURES

Product	Need of material
Carrier No. 43	1.2 – 1.6 m/m <sup>2</sup>
Carrier lock	1 pcs / carrier meter
L-list No. 50	0.8 – 1.4 m/m <sup>2</sup>
Z-list No. 51A	0.8 – 1.4 m/m <sup>2</sup>

### WEIGHT OF PANELS KG / M<sup>2</sup>

	UP-100	
Material	0.5 Al	0.5 Fe
Weight	1.89	5.60

### WEIGHT OF OTHER CEILING MATERIALS

Product	Weight of material
Mineral wool in plastic	0.52 kg/m <sup>2</sup>
Carrier No. 43	0.83 kg/m
Carrier lock	0.08 kg/pcs
L-list No. 50 (1.0 Al)	0.21 kg/m
Z-list No. 51A (1.0 Al)	0.14 kg/m

Latest information: [www.lautex.com](http://www.lautex.com)

All products are subject to modifications without prior notice 2006



## OY LAUTEX AB

P.O. Box 58 FIN-03101 Nummela Finland  
Tel +358 (0)9 224 8810 Fax +358 (0)9 222 5447  
E-mail: [sales@lautex.com](mailto:sales@lautex.com) [www.lautex.com](http://www.lautex.com)

