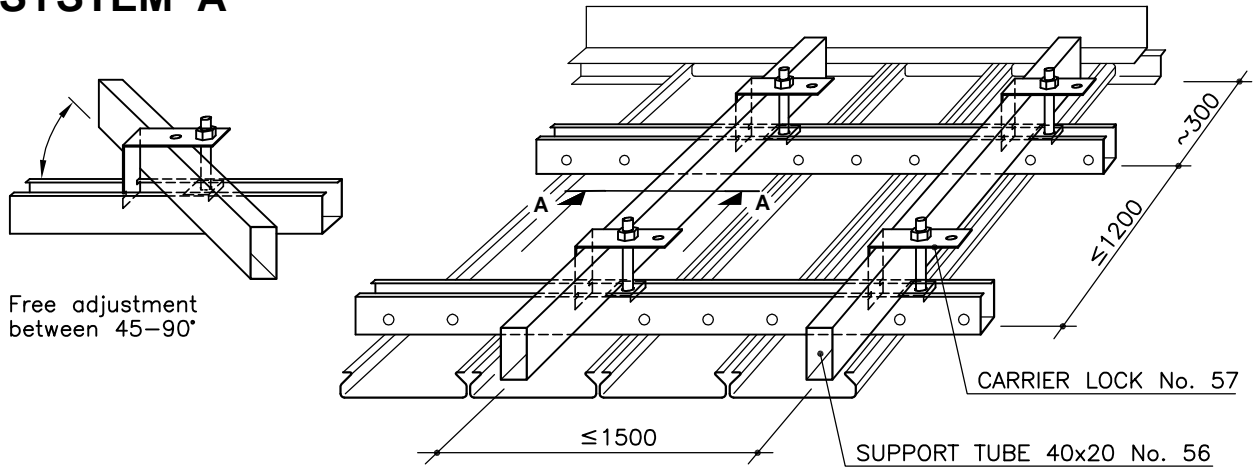
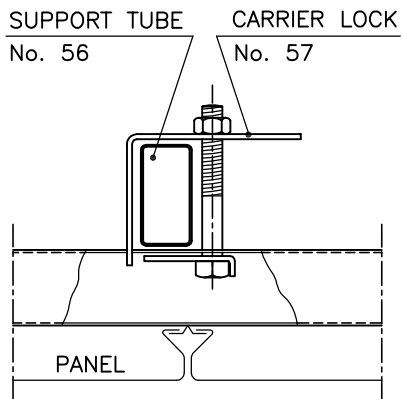


LAUTEX SUSPENSION SYSTEMS FOR PANELS

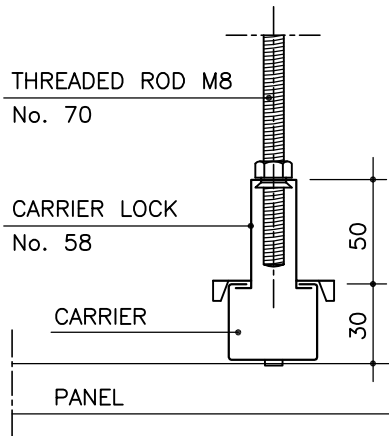
SYSTEM A



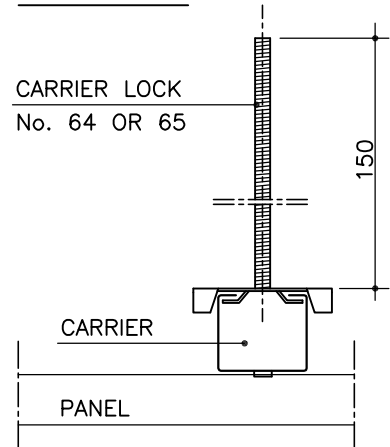
SECTION A - A



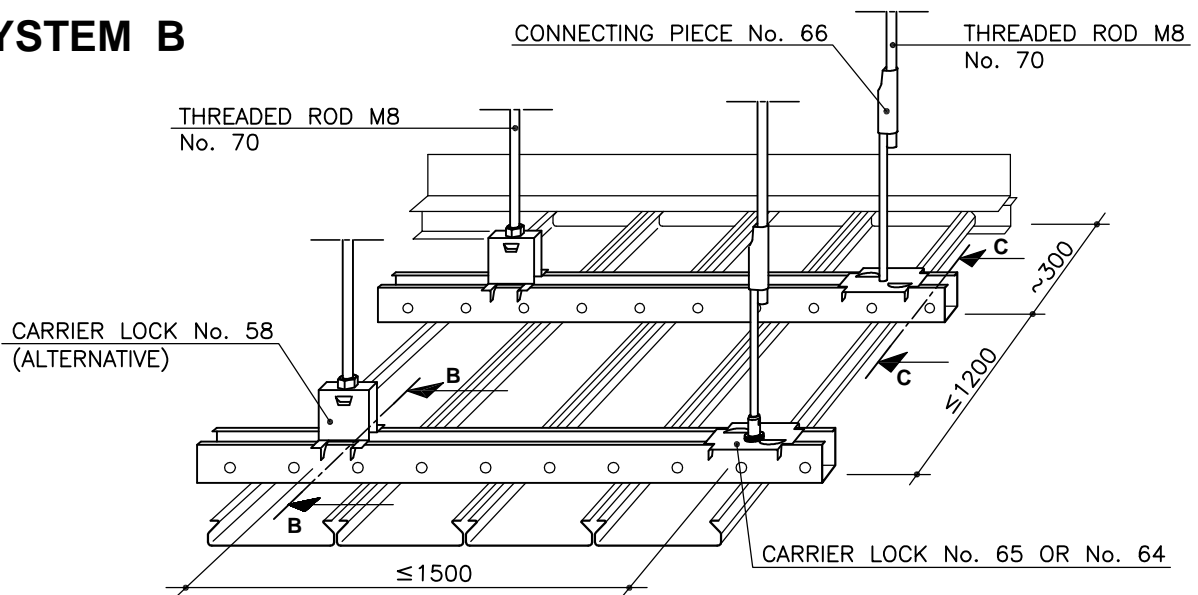
SECTION B - B



SECTION C - C



SYSTEM B



Latest information: www.lautex.com

All products are subject to modifications without prior notice 2006



OY LAUTEX AB

P.O. Box 58 FIN-03101 Nummela Finland
 Tel +358 (0)9 224 8810 Fax +358 (0)9 222 5447
 E-mail: sales@lautex.com www.lautex.com

