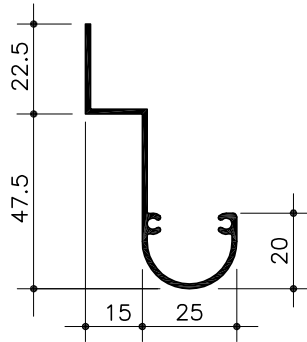
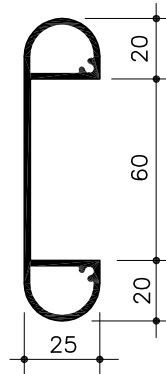


No. 1

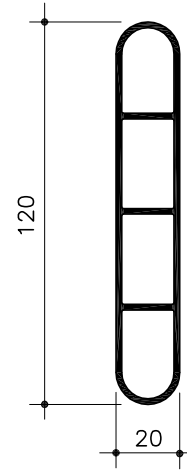


No. 5



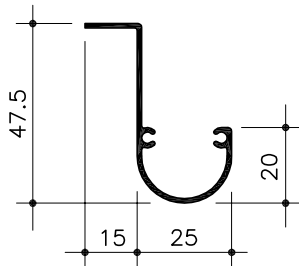
CAN BE BENT

No. 9

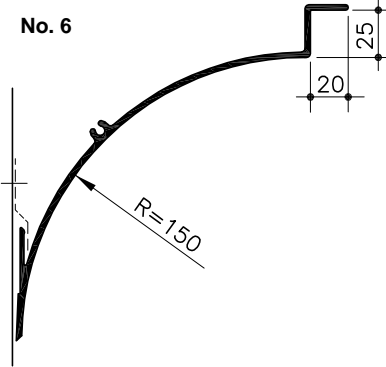


CAN BE BENT

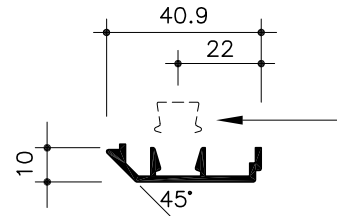
No. 2



No. 6

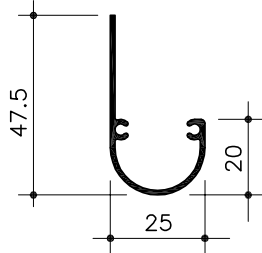


No. 10

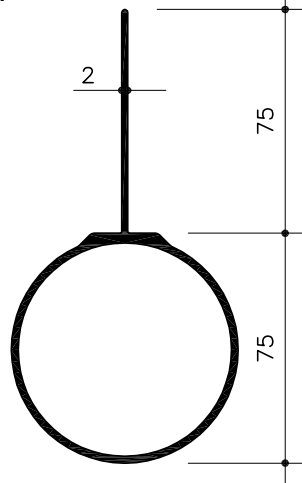


FASTENING PIECE
No.79

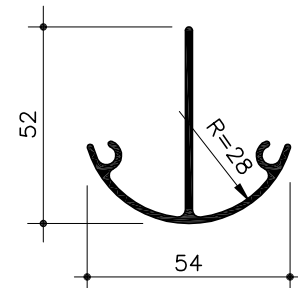
No. 3



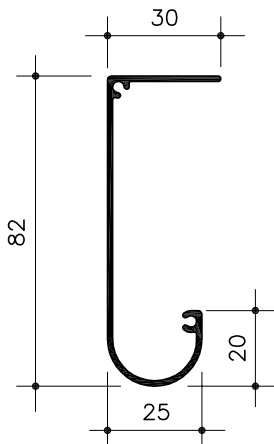
No. 7



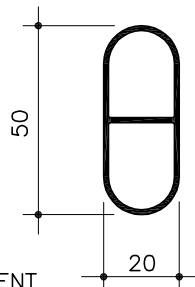
No. 11



No. 4



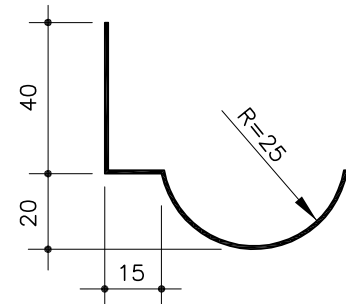
No. 8



CAN BE BENT

No. 13

Length=3000



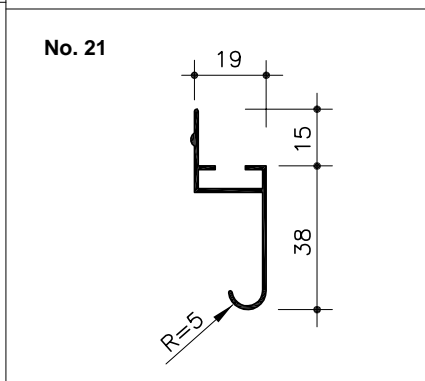
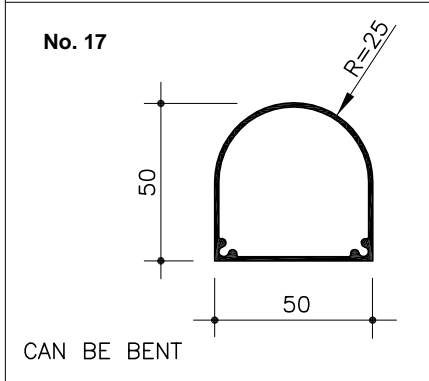
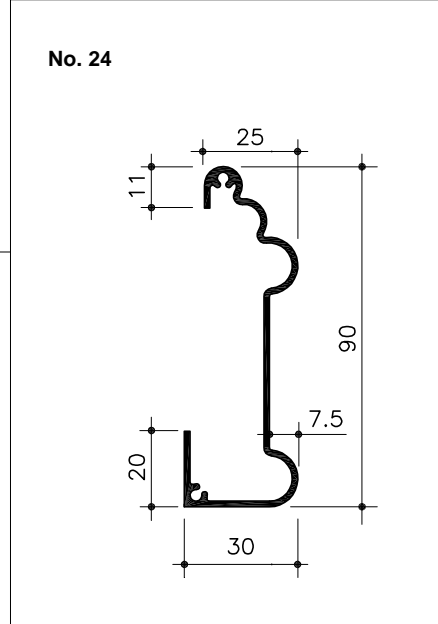
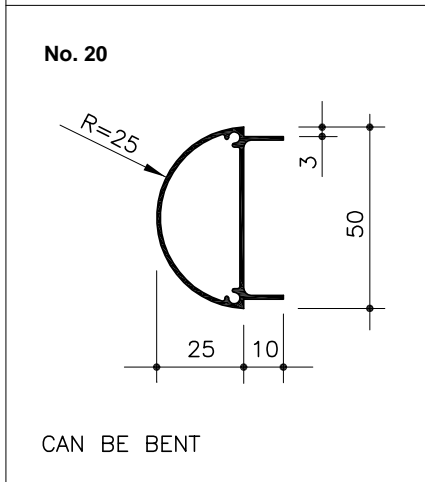
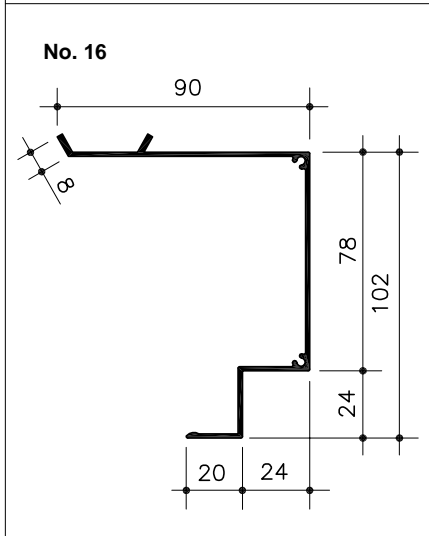
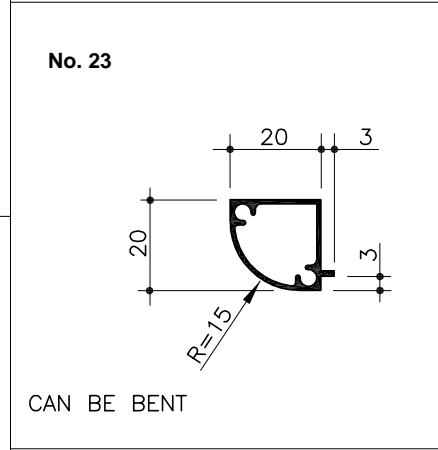
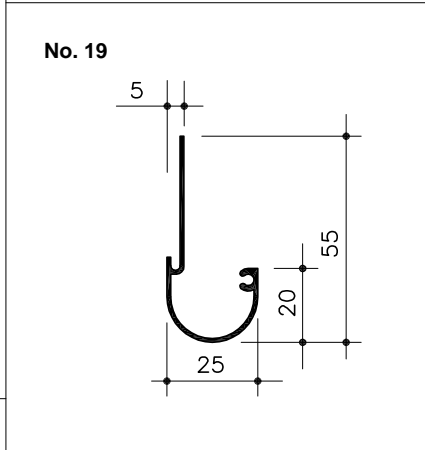
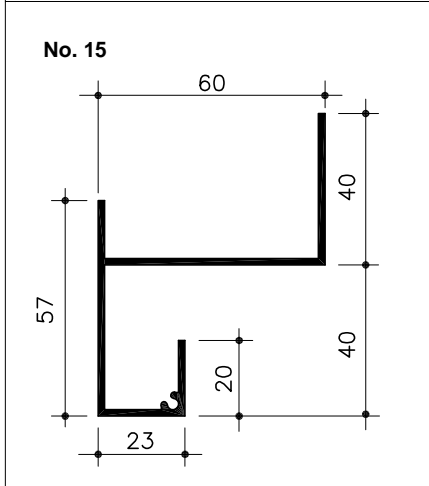
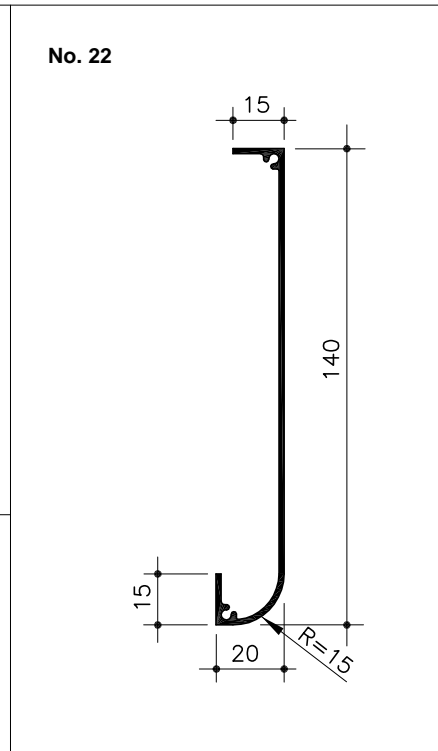
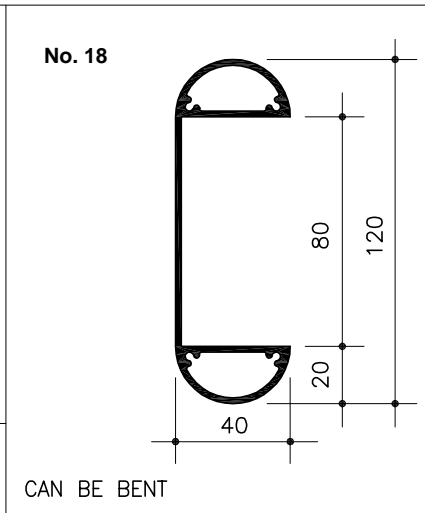
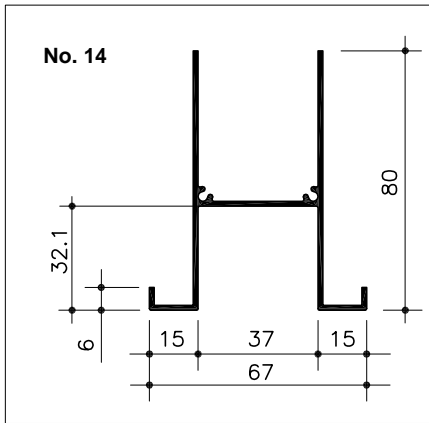
All products are subject to modifications without prior notice 2004



OY LAUTEX AB

P.O. Box 58 FIN-03101 Nummela Finland
Tel +358 (0)9 224 8810 Fax +358 (0)9 222 5447
E-mail: sales@lautex.com www.lautex.com





All products are subject to modifications without prior notice 2004

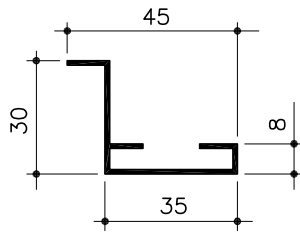


OY LAUTEX AB

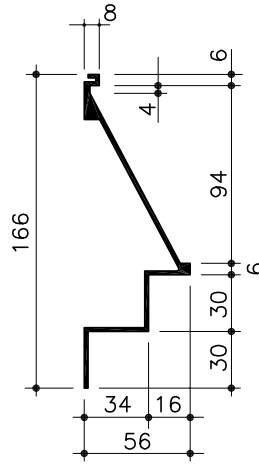
PO. Box 58 FIN-03101 Nummela Finland
 Tel +358 (0)9 224 8810 Fax +358 (0)9 222 5447
 E-mail: sales@lautex.com www.lautex.com



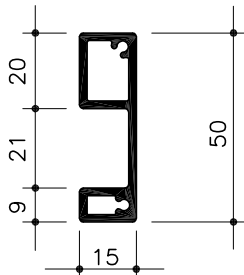
No. 25



No. 29

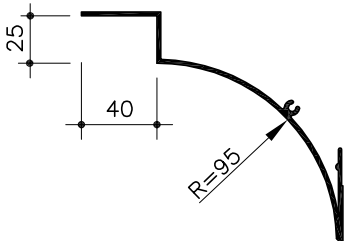


No. 26

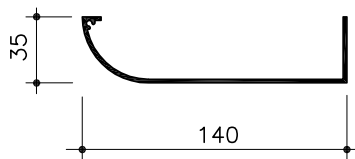


CAN BE BENT

No. 27



No. 28



All products are subject to modifications without prior notice 2004



OY LAUTEX AB

P.O. Box 58 FIN-03101 Nummela Finland
 Tel +358 (0)9 224 8810 Fax +358 (0)9 222 5447
 E-mail: sales@lautex.com www.lautex.com

