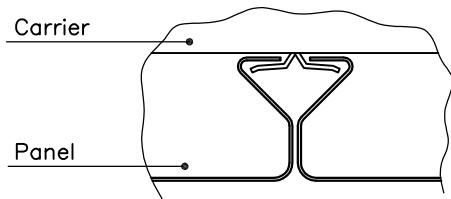
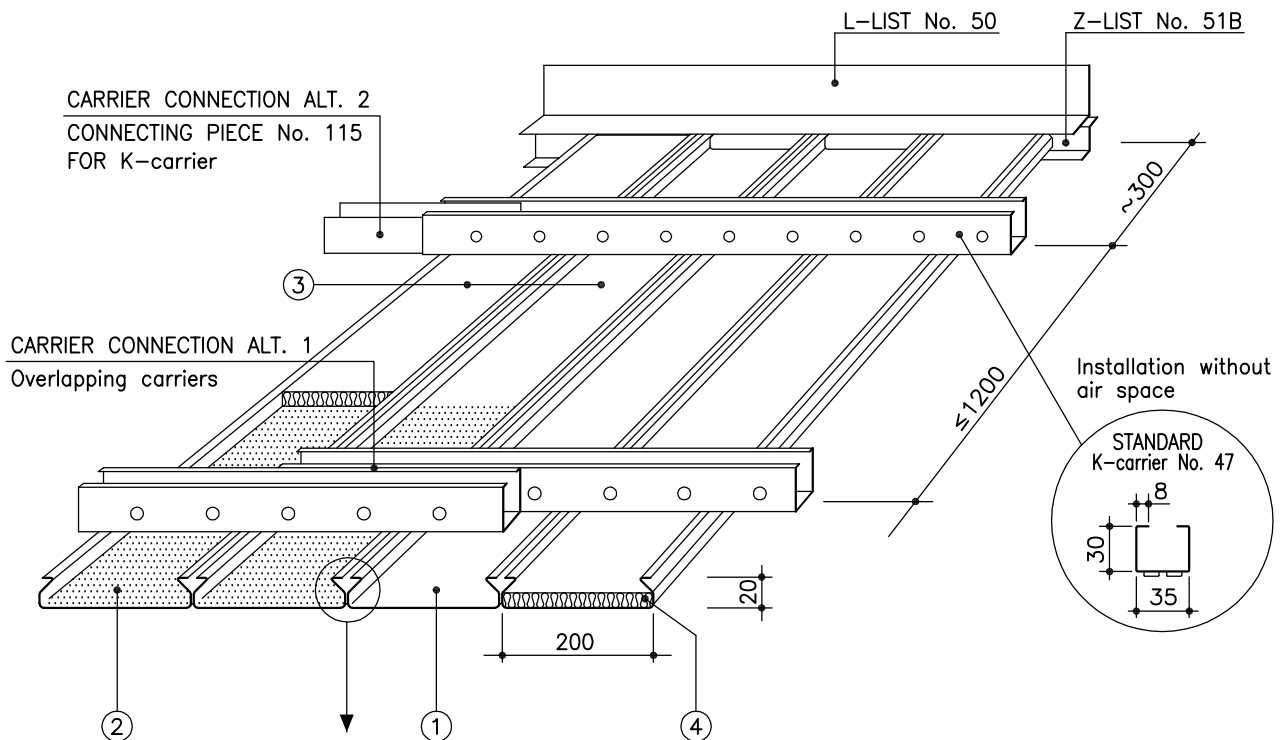


# MARINE PANEL LAUTEX KS-200



- ① = KS; unperforated without acoustic inlay
- ② = KSR; perforated on the bottom
- ③ = KSRT; perforated with acoustic inlay
- ④ = KST; unperforated with mineral wool in plastic

THE HOLE SIZE OF THE PERFORATION MUST BE SPECIFIED

## KS-200 PANELS / CLASSIFICATION "C"

Material	0.7 Al, 0.5 Fe
Width	200 mm
Height	20 mm
Length	max 6500 mm
Perforation	∅ 2.0 mm, other alternatives see page 6/12
Inlay	mineral wool in plastic or acoustic felt
Finish	stove enamelled (or anodized) according to LTX-colour card or any other well-known colour charts
Ventilation	installation with air space 5 or 10 mm, also according to order, min. 4 mm (see overleaf)
Protective film	the surface is provided with a protective film if required
End bendings	according to order
Service hatch	see page 2
Loudspeaker panel	see page 2
Downlight unit	see page 2
Suspension	see "Suspension systems for panels"
Edge lists	see "Lists for panels"
Other special solutions	please contact our technical information department

Latest information: [www.lautex.com](http://www.lautex.com)

All products are subject to modifications without prior notice 2006



## OY LAUTEX AB

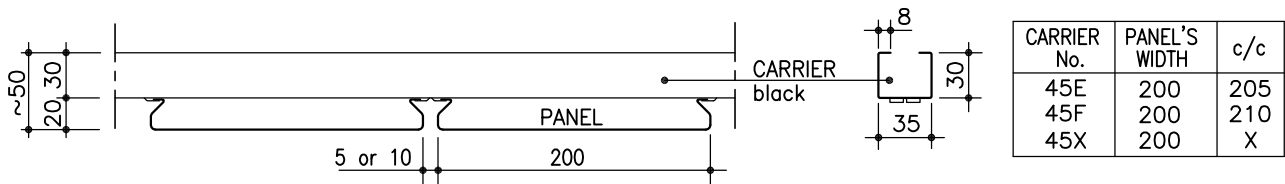
PO. Box 58 FIN-03101 Nummela Finland  
Tel +358 (0)9 224 8810 Fax +358 (0)9 222 5447  
E-mail: [sales@lautex.com](mailto:sales@lautex.com) [www.lautex.com](http://www.lautex.com)



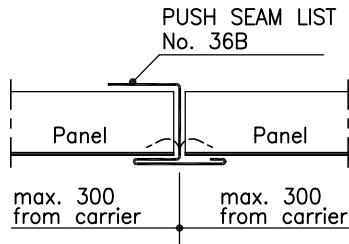
# MARINE PANEL LAUTEX KS-200

## INSTALLATION DETAILS AND ACCESSORIES

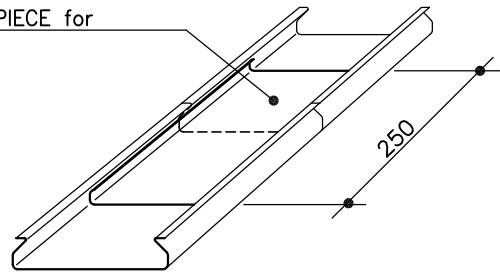
INSTALLATION WITH AIR SPACE 5 AND 10 MM (ALSO ACCORDING TO ORDER; MIN. 4 MM)



### SOLUTIONS OF PANEL CONNECTION

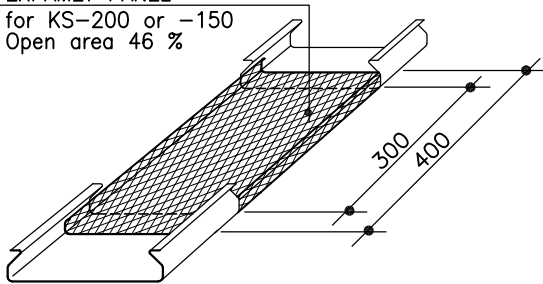


CONNECTING PIECE for KS-200



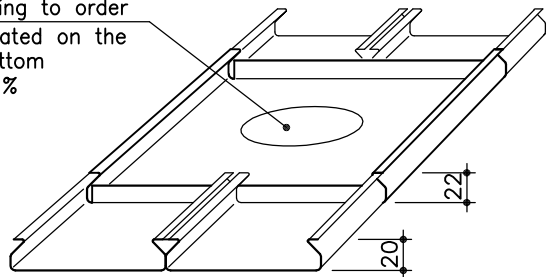
### LOUDSPEAKER PANEL

EXPAMET PANEL  
for KS-200 or -150  
Open area 46 %



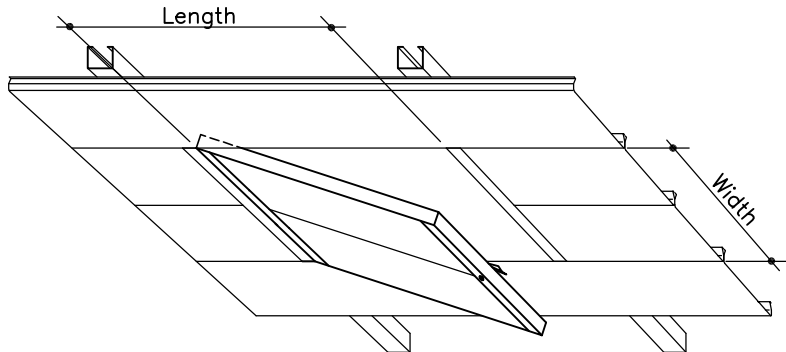
### DOWNLIGHT OR LOUDSPEAKER PANEL

Ø According to order  
or perforated on the  
whole bottom  
Ø3.5/25 %



### SERVICE HATCH

SERVICE HATCH No.	LENGTH x WIDTH (opening in the ceiling)
83A	400 x 400
83B	450 x 400
83C	600 x 600
83D	according to order



### THEORETICAL NEED OF SUSPENSION STRUCTURES

Product	Need of material
Carrier No. 45, 47	1.2 - 1.6 m/m <sup>2</sup>
Carrier lock	1 pcs / carrier meter
L-list No. 50	0.8 - 1.4 m/m <sup>2</sup>
Z-list No. 51B	0.8 - 1.4 m/m <sup>2</sup>

### WEIGHT OF PANELS KG / M<sup>2</sup>

	KS-200	
Material	0.7 Al	0.5 Fe
Weight	2.36	5.00

### WEIGHT OF OTHER CEILING MATERIALS

Product	Weight of material
Mineral wool in plastic	0.52 kg/m <sup>2</sup>
Carrier No. 45 or 47	0.83 kg/m
Carrier lock	0.08 kg/pcs
L-list No. 50 (1.0 Al)	0.21 kg/m
Z-list No. 51B (1.0 Al)	0.15 kg/m

Latest information: [www.lautex.com](http://www.lautex.com)

All products are subject to modifications without prior notice 2006



## OY LAUTEX AB

P.O. Box 58 FIN-03101 Nummela Finland  
Tel +358 (0)9 224 8810 Fax +358 (0)9 222 5447  
E-mail: [sales@lautex.com](mailto:sales@lautex.com) [www.lautex.com](http://www.lautex.com)

