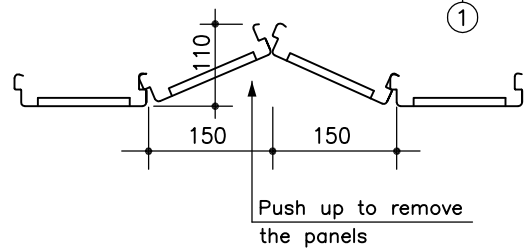
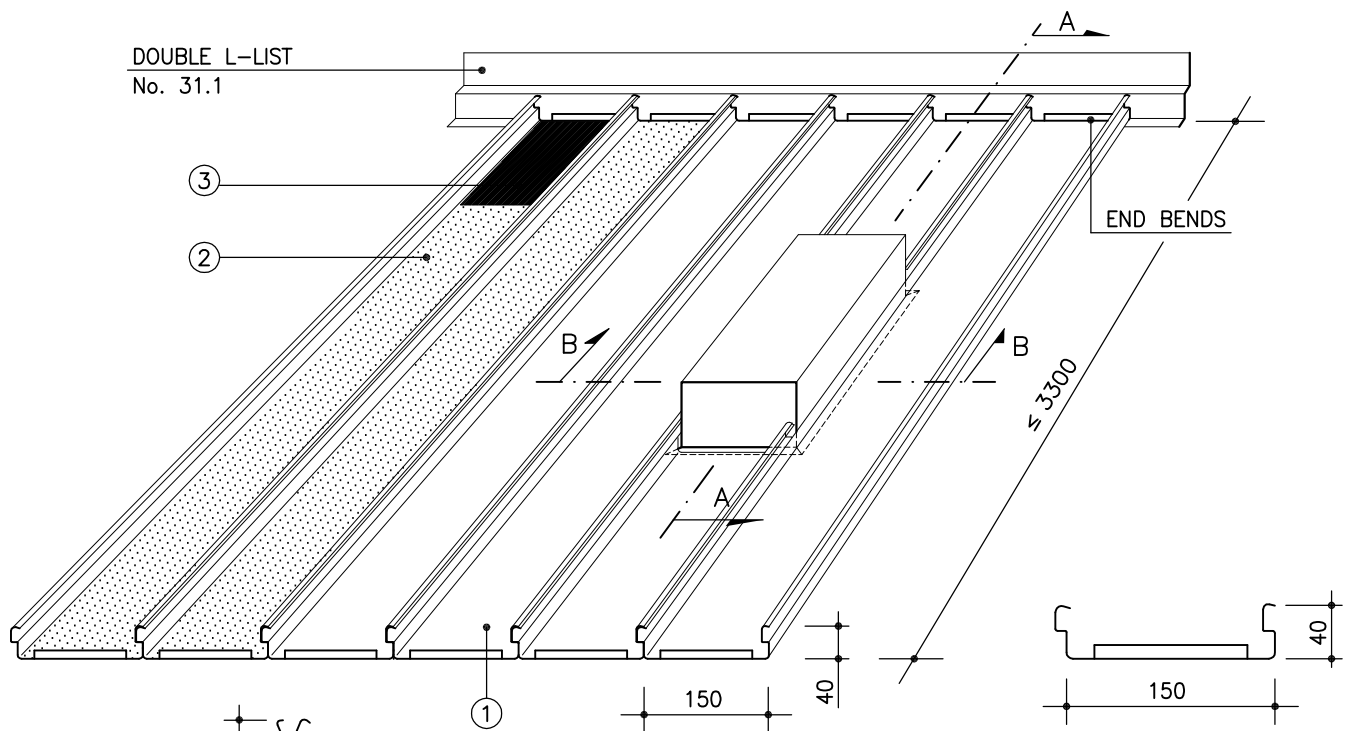
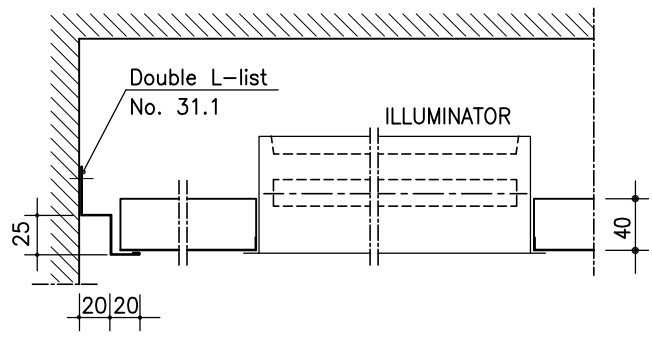


2.6.1 PANEL LAUTEX TK-150

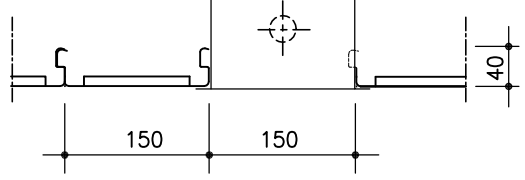


- ① = TK; unperforated without acoustic inlay
- ② = TKR; perforation on the bottom
- ③ = TKRT; perforated, acoustic felt

A - A



B - B



STANDARD TK-150 PANEL

| | |
|-------------|-----------------|
| Material | 0.7 mm Al |
| Width | 150 mm |
| Height | 40 |
| Length | 1000-3300 mm |
| Perforation | ∅2.0 mm |
| Inlay | acoustic felt |
| Finish | stove enamelled |
| End bends | standard |

OTHER ALTERNATIVES

| | |
|-------------------------|---|
| Material | - |
| Width | - |
| Height | - |
| Length | - |
| Perforation | ∅ 3.5 mm |
| Inlay | mineral wool in plastic |
| Finish | high gloss anodized (Al) |
| Other special solutions | Please, contact our technical information department. |

STRUCTURAL DETAILS SEE LEAFLET 6.1

All products are subject to modifications without prior notice.
2006



OY LAUTEX AB

P.O. Box 58 FIN-03101 Nummela Finland
Tel +358 (0)9 224 8810 Fax +358 (0)9 222 5447
E-mail: sales@lautex.com www.lautex.com

