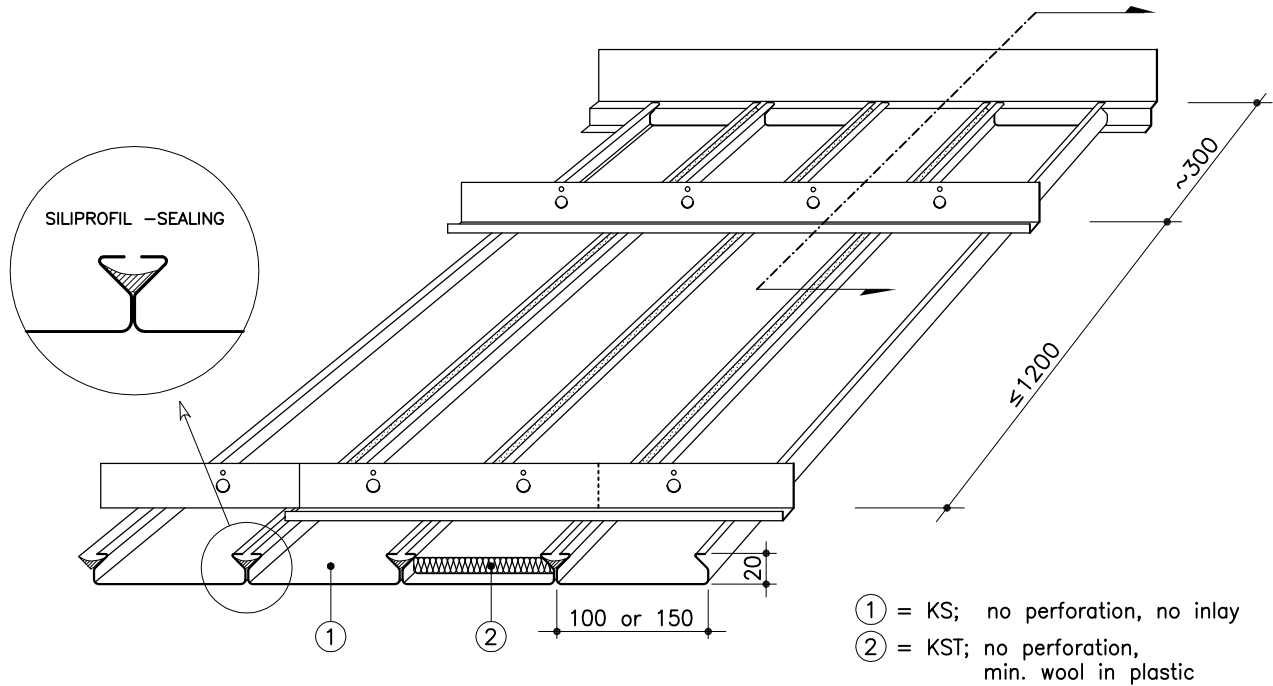
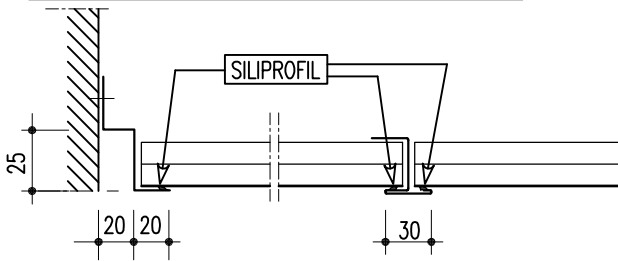


2.21 PANEL LAUTEX KS-100 JA -150 SILIPROFIL



INSTALLATION ALT. 1, DUSTPROOF CEILING



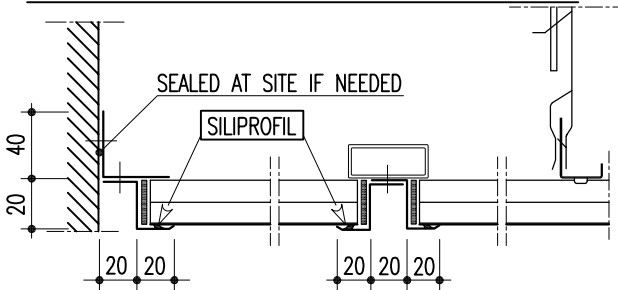
The ceiling can be made dustproof or washproof with SILIPROFIL-sealing. These kind of ceilings are used in:

- kitchens
- hospitals
- food industry
- electronics industry
- other high hygienic spaces

DEFINITION EXAMPLE FOR DUSTPROOF CEILING:

- LAUTEX KS-150 SILIPROFIL DUSTPROOF
- 0,5 mm Al, colour: LTX-101
 - lists and connection seams according to INSTALLATION ALT. 1

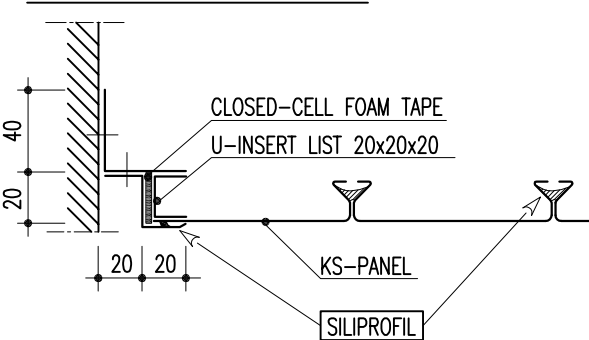
INSTALLATION ALT. 2, WASHPROOF CEILING



DEFINITION EXAMPLE FOR WASHPROOF CEILING:

- LAUTEX KS-150 SILIPROFIL WASHPROOF
- 0,7 mm Al, colour: LTX-101
 - lists and connection seams according to INSTALLATION ALT. 2

INSTALLATION OF A CUT PANEL INSTALLATION ALT. 1 AND 2



LAUTEX KS-100 AND -150 SILIPROFIL PANEL

| | | |
|-------------------------|--|--|
| Material | 0,5 mm Al tai 0,7 mm Al | INSTALLATION ALT. 1 INSTALLATION ALT. 2 |
| Width | 100 and 150 mm | |
| Height | 20 mm | |
| Length | 1250 - 6500 mm | |
| Perforation | In special cases (see leaflet 6.2) | |
| Inlay | Min. wool in plastic | |
| Finish | Stove enamelled or plastic coated (Fe) | |
| SILIPROFIL | Sticked on panels and lists | |
| Closed-cell foam tape | Sticked on Z-lists (INSTALLATION ALT. 2) | |
| Inlet (see front page) | Size \square 1600 x 600 and \varnothing according to choice | |
| Lists | INSTALLATION ALT. 1 Dustproof ceiling INSTALLATION ALT. 2 Washproof ceiling | |
| Screws | Stainless steel (INSTALLATION ALT. 2) | |
| Other special solutions | Please contact our technical information department. | |

All products are subject to modifications without prior notice.

2004



OY LAUTEX AB

P.O. Box 58 FIN-03101 Nummela Finland
Tel +358 (0)9 224 8810 Fax +358 (0)9 222 5447
E-mail: sales@lautex.com www.lautex.com

